

EJECTOR / CARRY-ALL SCRAPER PANS



JOHN DEERE



EJECTOR / CARRY-ALL SCRAPER PANS



HIT PAY DIRT, DIRT CHEAP

Fully integrated John Deere tractor-scraper systems are built to move more dirt than self-propelled scrapers or competitive tractors and scrapers, for one-third the initial investment, and using half the labor. Paired with a four-wheel-drive scraper special tractor, our large-capacity ejector and economically efficient carry-all models — with heaped capacities from 15 to 24 cubic yards and cutting widths from 10 to 14 feet — can deliver savings of up to 50 cents per cubic yard over conventional earthmoving equipment. If you make your living moving dirt, these scraper pans can help you keep moving it in a big way.

FEATURES

The choice is yours

Equipped with heavy-duty hydraulic cylinders that push material out, our ejector scrapers are designed to move heavier loads such as wet, sticky soil. Featuring a simple dump action, our carry-all scrapers are better for hauling lighter, loose materials and sandy soil.

Amp up the payload

All ejector scrapers deliver more payload capacity — up to 14-percent more than previous models for the 2412D E. And you're no longer restricted from running our larger scrapers in a triple-pan configuration. That means a single operator can haul up to 72 cubic yards per cycle in a triple-pan configuration.

From the word "go"

Exclusive AutoLoad automatically automates scraper functions, varies blade height, and maintains consistent spreading heights, making it push-button easy for both novice and expert operators to maximize proficiency and productivity. Whether it's set to a desired cut profile or to load over a specified distance, AutoLoad delivers smooth cuts, reliably full loads with fewer passes, and faster cycle times than without the system.

On top of it all

The Earthmoving Productivity System in John Deere scrapers determines the amount of volume loaded in real time and transfers that data everywhere it needs to be. Not only does the system help prevent spillage and measure efficiency, but it also allows you to accurately bid, plan, and bill any job.

Rest assured

Super-overflow spill guard (standard on ejectors, optional on carry-alls) and rounded gate shields protect components from falling objects and prevent debris like rocks and tree roots from accumulating. All John Deere scraper pans are backed by a three-year structural warranty, regardless of hours.

Make a simple swap

When you need to change a cutting edge, the bucket, gate, and scraper mainframe can be secured in the raised position without tools for easy servicing.



EXCLUSIVE AUTOLOAD™
AUTOMATES SCRAPER FUNCTIONS
AT THE PUSH OF A BUTTON



TAKE IT TO THE LIMIT

John Deere fixed-blade ejector scrapers boast up to 14-percent more capacity than previous models. Plus you can run the larger models in a triple-pan configuration to capably haul up to 72 cubic yards of material per cycle.

Keep a low profile

Low-profile design provides a low center of gravity and excellent visibility to the rear scraper. Redesigned inner wall delivers smooth, snag-free ejection for spreading controlled, consistent loads.

Easy “doze” it

Integrated rear push block enables push-loading with a dozer if needed. Push block exactly matches the blade radius of John Deere dozers and provides ample tire clearance to accommodate “U” blades. Quick-attach rear hitch eases coupling and uncoupling when conditions demand.

Hit the target

Standard super-overflow spill guard increases capacity while reducing carryback and tire wear. Swept-back push-wall design provides a 26-percent-larger top-loading target compared to previous models, for faster cycle times.



26% LARGER
TOP-LOADING TARGET
THAN PREVIOUS MODELS

It takes two

2010D E and 2412D E two-tire ejector scrapers are designed to shed mud better in soft ground conditions and provide greater stability on uneven ground. Less rolling resistance minimizes wear and fuel usage. Ejector shielding protects hydraulic lines, wire harnesses, and other critical components.

Work your way

With a wide throat opening and exclusive blade system, our ejector scrapers load quickly and easily. Mix and match standard and long blades to fit the application or material condition. Equip 20- or 24-cubic-yard models with optional heavy-duty disc brakes, for shorter stops, loaded or empty.

SEE WHAT YOU CAN DO

John Deere carry-all scrapers have built a reputation as some of the best sand-loading scrapers you can run. Choose one of our six- or four-tire models for leveling or terracing landscapes, digging ponds, building levees, or general site preparation.

On the level

Optional precision land-leveling kit stabilizes the carry-all scraper and eliminates “duck walking,” allowing precise, high-speed finish grading with a carry-all bucket, from rough cut to final grade, without changing the configuration.

Strong for the long term

High-clearance cross tube enables visibility to the blade and provides impressive strength. Large six-inch-diameter gate cylinder delivers rugged durability and more than ample material-clamping force.

Quick connections

Push/pull breakaway couplers for 0.75-inch hoses simplify and speed connection to optional high-flow hydraulics. Rear quick-attach hitch option lets you quickly connect or disconnect tandems without the use of tools.

Get in on the ground game

Generous ground clearance and low ground pressure help keep the scraper moving, even in less-than-ideal jobsite conditions.

Clean up on the dump

With a wide 55-inch throat opening, the fast-dump bucket rotates a full 70 degrees for clean unloading and minimized material carryback.



EJECTOR / CARRY-ALL SCRAPER PANS



JOHN DEERE



70°

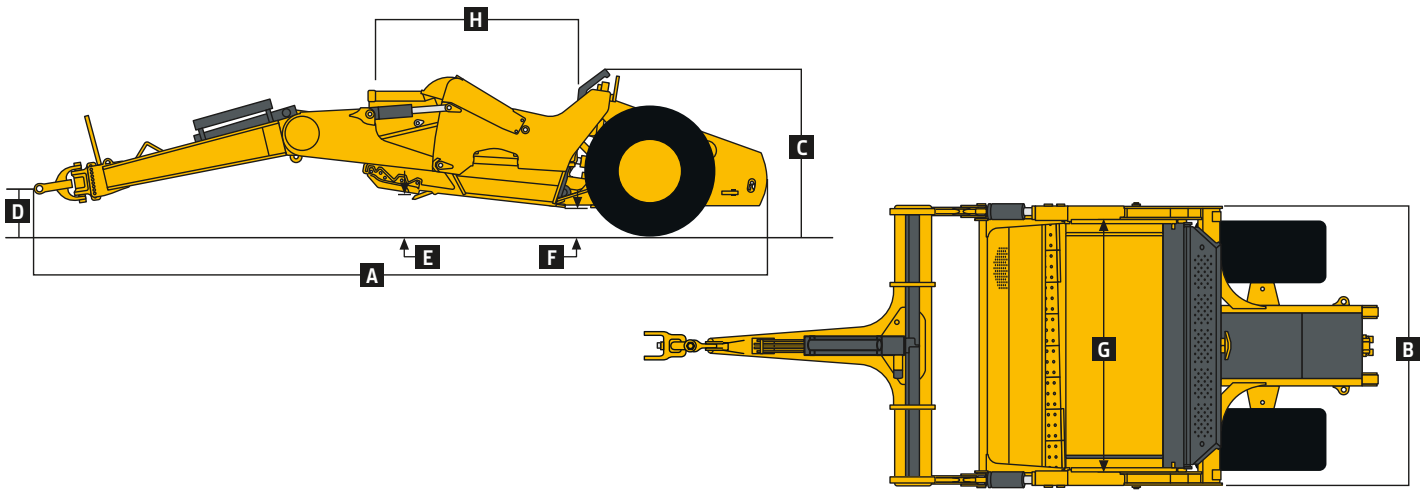
FAST-DUMP
BUCKET ROTATION

EJECTOR

SCRAPER PANS SPECIFICATIONS

Capacities	1612D E (4 Tire)	2010D E (4 Tire)	2010D E (2 Tire)	2014D E (6 Tire)	2412D E (4 Tire)	2412D E (2 Tire)
Struck	9.2 m ³ (12.0 cu. yd.)	10.4 m ³ (13.6 cu. yd.)	10.4 m ³ (13.6 cu. yd.)	11.1 m ³ (14.6 cu. yd.)	12.1 m ³ (15.8 cu. yd.)	12.1 m ³ (15.8 cu. yd.)
Heaped	12.2 m ³ (16.0 cu. yd.)	15.3 m ³ (20.0 cu. yd.)	15.3 m ³ (20.0 cu. yd.)	15.3 m ³ (20.0 cu. yd.)	18.3 m ³ (24.0 cu. yd.)	18.3 m ³ (24.0 cu. yd.)
Weights						
Approximate Shipping Weight	10 296 kg (22,700 lb.)	10 480 kg (23,100 lb.)	11 793 kg (26,000 lb.)	12 020 kg (26,500 lb.)	12 791 kg (28,200 lb.)	13 080 kg (29,500 lb.)
Weight Distribution						
Tongue	24%	25%	26%	26%	25%	25%
Wheels	76%	75%	74%	74%	75%	75%
Tires						
Size						
17.5 – 25	—	—	—	Standard	—	—
20.5 – 25	Standard	Standard	—	Optional	—	—
23.5 – 25	—	—	—	—	Standard	—
26.5 R25	—	—	—	—	Optional	—
29.5 R25	—	—	Standard	—	—	—
875/65 R29	—	—	—	—	—	Standard
Number of Tires	4	4	2	6	4	2
Hydraulics						
Recommended, Minimum	94.6 Lpm (25 gpm) / 19 995 kPa (2,900 psi)	94.6 Lpm (25 gpm) / 19 995 kPa (2,900 psi)	94.6 Lpm (25 gpm) / 19 995 kPa (2,900 psi)	94.6 Lpm (25 gpm) / 19 995 kPa (2,900 psi)	94.6 Lpm (25 gpm) / 19 995 kPa (2,900 psi)	94.6 Lpm (25 gpm) / 19 995 kPa (2,900 psi)
Dimensions						
A Length	8585 mm (28 ft. 2 in.)	9042 mm (29 ft. 8 in.)	9754 mm (32 ft. 0 in.)	8179 mm (26 ft. 10 in.)	9982 mm (32 ft. 9 in.)	10 592 mm (34 ft. 9 in.)
B Width	4089 mm (13 ft. 5 in.)	3632 mm (11 ft. 11 in.)	3632 mm (11 ft. 11 in.)	4851 mm (15 ft. 11 in.)	4089 mm (13 ft. 5 in.)	4089 mm (13 ft. 5 in.)
C Height	2312 mm (7 ft. 7 in.)	2312 mm (7 ft. 7 in.)	2337 mm (7 ft. 8 in.)	2312 mm (7 ft. 7 in.)	2337 mm (7 ft. 8 in.)	2337 mm (7 ft. 8 in.)
D Hitch/Drawbar	610 mm (24 in.)	610 mm (24 in.)	610 mm (24 in.)	610 mm (24 in.)	610 mm (24 in.)	610 mm (24 in.)
E Blade – Bowl Up	508 mm (20 in.)	508 mm (20 in.)	508 mm (20 in.)	508 mm (20 in.)	533 mm (21 in.)	533 mm (21 in.)
F Floor – Bowl Up	432 mm (17 in.)	381 mm (15 in.)	381 mm (15 in.)	432 mm (17 in.)	381 mm (15 in.)	381 mm (15 in.)
G Bowl Width	3658 mm (12 ft. 0 in.)	3200 mm (10 ft. 6 in.)	3200 mm (10 ft. 6 in.)	4420 mm (14 ft. 6 in.)	3658 mm (12 ft. 0 in.)	3658 mm (12 ft. 0 in.)
H Bowl Length	2337 mm (7 ft. 8 in.)	2794 mm (9 ft. 2 in.)	2794 mm (9 ft. 2 in.)	2337 mm (7 ft. 8 in.)	2794 mm (9 ft. 2 in.)	2794 mm (9 ft. 2 in.)

While general information, pictures, and descriptions are provided, some illustrations and text may include product options and accessories NOT AVAILABLE in all regions, and in some countries products and accessories may require modifications or additions to ensure compliance with the local regulations of those countries.



Additional equipment

Key: ● Standard ▲ Optional or special
See your John Deere dealer for further information.

Ejector Rear Hitch and Brakes

- Standard rear hitch
- ▲ Quick-attach rear hitch with integrated push bumper (standard on 2-tire models)
- ▲ Standard rear hitch and brakes

Hoses and Couplers

- For single or rear scraper in tandem application
- ▲ For front scraper in tandem application
- ▲ Triple lines for front scraper in triple application[†]

Cutting Edges and Routers

- Straight cutting-edge configuration
- ▲ Drop-center cutting-edge configuration
- Adjustable router bits
- Segmented blades

AutoLoad

- AutoLoad ready
- ▲ AutoLoad

Ejector Attachments

- ▲ Grade-control (Global Positioning System [GPS] or laser) receiver bracket
- ▲ Quick-attach rear hitch with integrated push bumper
- Super-overflow spill guard
- ▲ Precision land-leveling kit

Drawbars and Adapters

- ▲ AutoLoad quick-attach drawbar for John Deere short drawbar support (9R, 9RT, and 9RX)
- ▲ AutoLoad quick-attach drawbar for John Deere long drawbar support (9R only)
- ▲ Universal drawbar for competitive tractors
- ▲ Universal quick-attach drawbar for competitive tractors
- ▲ Scraper drawbar hitch adapter
- ▲ Scraper quick-attach drawbar hitch adapter

[†]Not available on the 1612D E Ejector Scraper.

While general information, pictures, and descriptions are provided, some illustrations and text may include product options and accessories NOT AVAILABLE in all regions, and in some countries products and accessories may require modifications or additions to ensure compliance with the local regulations of those countries.

This literature has been compiled for worldwide circulation. PLEASE CONTACT YOUR LOCAL DEALER FOR DETAILS. John Deere reserves the right to change specifications, design, and price of products described in this literature without notice. Values are based on factory-observed data.

CARRY-ALL

SCRAPER PANS SPECIFICATIONS

Capacities (ISO 6485 / SAE J741)	1510D C (4 Tire)	1812D C (4 Tire)	1814D C (6 Tire)	2112D C (4 Tire)
Heaped	11.5 m ³ (15.0 cu. yd.)	13.8 m ³ (18.0 cu. yd.)	13.8 m ³ (18.0 cu. yd.)	16.4 m ³ (21.5 cu. yd.)
Struck	8.4 m ³ (11.0 cu. yd.)	10.7 m ³ (14.0 cu. yd.)	10.7 m ³ (14.0 cu. yd.)	10.7 m ³ (14.0 cu. yd.)
Warranty, Full Machine	1510D C (4 Tire) / 1812D C (4 Tire) / 1814D C (6 Tire) / 2112D C (6 Tire)			
Standard	12 months			
Tires	1510D C (4 Tire)	1812D C (4 Tire)	1814D C (6 Tire)	2112D C (4 Tire)
Tires Per Scraper	4	4	6	4
Type/Size				
17.5 x 25-in. 16-Ply E3 Bias	Standard	—	Standard	—
20.5 x 25-in. 24-Ply E3 Bias	Optional	Standard	Optional	—
23.5 x 25 in. 28-Ply E3 Bias	—	—	—	Standard
26.5R25 Premium E3 Radial or 28-Ply E3 Bias	—	—	—	Optional
Weights				
Approximate Shipping Weight	7620 kg (16,800 lb.)	8603 kg (18,950 lb.)	9534 kg (21,000 lb.)	11 486 kg (25,300 lb.)
Scraper Weight Distribution				
Tongue	28%	28%	26%	28%
Wheels	72%	72%	74%	72%
Blades				
Blade Type, 3-Piece Reversible	Standard	Standard	Standard	Optional
254-mm (10 in.) Sides				
With 330-mm (13 in.) Center	Standard	Standard	Standard	Standard
With 406-mm (16 in.) Center	Optional	Optional	N/A	N/A
With 508-mm (20 in.) Center	N/A	N/A	N/A	Optional
Adjustable Router Bits	Standard	Standard	Standard	Standard
152-mm (6 in.) Bolt-Hole Spacing for Ejector-Style Blades	N/A	N/A	N/A	Standard
Long Blades, Drop Center of Teeth	N/A	N/A	N/A	Optional
Super Frost Bit	Optional	Optional	Optional	N/A
Turning Radius to Outside Rear Tractor Tires				
Single Scraper*	9.4 m (31 ft. 0 in.)	9.4 m (31 ft. 0 in.)	11.3 m (37 ft. 0 in.)	10.4 m (34 ft. 0 in.)
Tandem Scrapers**	11.3 m (37 ft. 0 in.)	11.3 m (37 ft. 0 in.)	11.3 m (37 ft. 0 in.)	13.1 m (43 ft. 0 in.)
*For single scrapers with the long drawbar, subtract 305 mm (12 in.) from the above.				
**The turning radius is approximately the same for tandem scrapers with the long or short drawbar.				
Dimensions				
A Length	7569 mm (24 ft. 10 in.)	7569 mm (24 ft. 10 in.)	7671 mm (25 ft. 2 in.)	9093 mm (29 ft. 10 in.)
B Width	3607 mm (11 ft. 10 in.)	4216 mm (13 ft. 10 in.)	4826 mm (15 ft. 10 in.)	4191 mm (13 ft. 9 in.)
C Height	2286 mm (7 ft. 6 in.)	2286 mm (7 ft. 6 in.)	2286 mm (7 ft. 6 in.)	2438 mm (8 ft. 0 in.)
D Hitch/Drawbar	610 mm (24 in.)	610 mm (24 in.)	610 mm (24 in.)	610 mm (24 in.)
E Blade – Bowl Up	483 mm (19 in.)	483 mm (19 in.)	533 mm (19 in.)	482 mm (19 in.)
F Router – Bowl Up	406 mm (16 in.)	406 mm (16 in.)	457 mm (18 in.)	406 mm (16 in.)
Bowl				
G Width	3048 mm (10 ft. 0 in.)	3658 mm (12 ft. 0 in.)	4267 mm (14 ft. 0 in.)	3658 mm (12 ft. 0 in.)
H Length	2337 mm (7 ft. 8 in.)	2337 mm (7 ft. 8 in.)	2083 mm (6 ft. 10 in.)	2692 mm (8 ft. 10 in.)
I Height	1168 mm (3 ft. 10 in.)	1168 mm (3 ft. 10 in.)	1168 mm (3 ft. 10 in.)	1168 mm (3 ft. 10 in.)

While general information, pictures, and descriptions are provided, some illustrations and text may include product options and accessories NOT AVAILABLE in all regions, and in some countries products and accessories may require modifications or additions to ensure compliance with the local regulations of those countries.

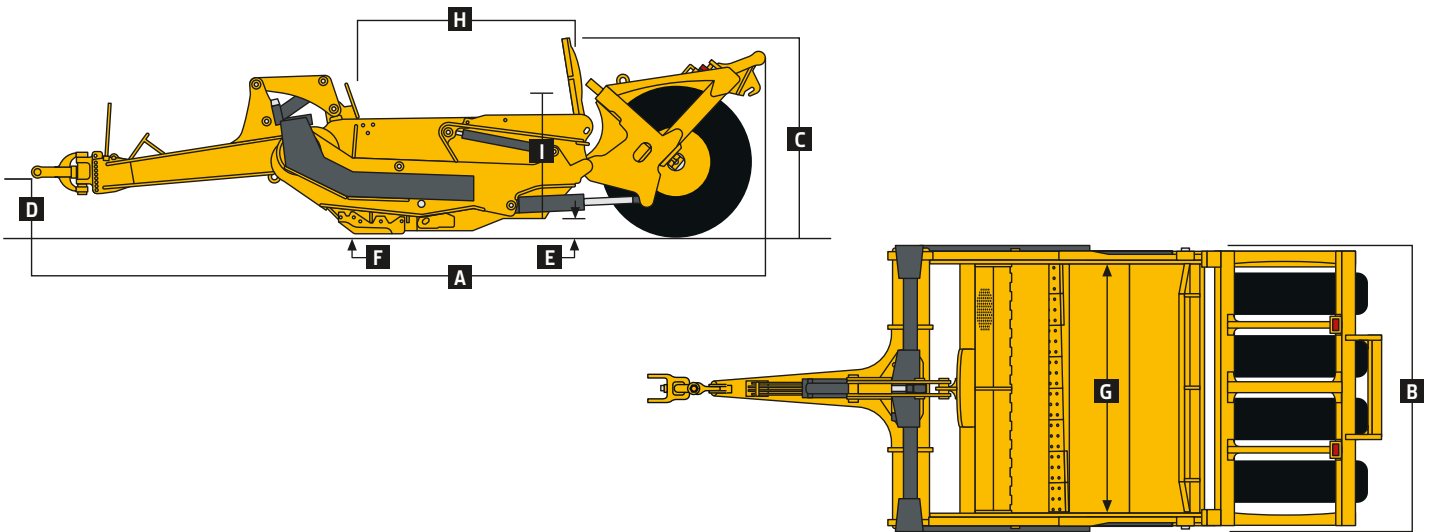
Dimensions (continued)

1510D C (4 Tire)

1812D C (4 Tire)

1814D C (6 Tire)

2112D C (4 Tire)



Transport Clearance

1510D C (4 Tire)

1812D C (4 Tire)

1814D C (6 Tire)

2112D C (4 Tire)

Tires	1510D C (4 Tire)	1812D C (4 Tire)	1814D C (6 Tire)	2112D C (4 Tire)
17.5 x 25-in. 16-Ply E3 Bias	431 mm (17 in.)	N/A	457 mm (18 in.)	N/A
20.5 x 25-in. 24-Ply E3 Bias	482 mm (19 in.)	482 mm (19 in.)	508 mm (20 in.)	N/A
23.5 x 25 in. 28-Ply E3 Bias	N/A	N/A	N/A	482 mm (19 in.)
26.5R25 Premium E3 Radial	N/A	N/A	N/A	533 mm (21 in.)

Additional equipment

Key: ● Standard ▲ Optional or special
See your John Deere dealer for further information.

Carry-All Rear Hitch and Brakes

- Standard rear hitch
- ▲ Quick-attach rear hitch (factory installed only)
- ▲ Standard rear hitch and brakes*
- ▲ Quick-attach rear hitch and brakes*

Hoses and Couplers

- For single or rear scraper in tandem application
- ▲ For front scraper in tandem application
- ▲ Triple lines for front scraper in triple application*

Cutting Edges and Routers

- Straight cutting-edge configuration
- ▲ Drop-center cutting-edge configuration
- Adjustable router bits
- Segmented blades

AutoLoad

- AutoLoad ready
- ▲ AutoLoad

Carry-All Attachments

- ▲ Grade-control (Global Positioning System [GPS] or laser) receiver bracket
- ▲ Bolt-on rear bumper
- ▲ Super-overflow spill guard
- ▲ Precision land-leveling kit

Drawbars and Adapters

- ▲ AutoLoad quick-attach drawbar for John Deere short drawbar support (9R, 9RT, and 9RX)
- ▲ AutoLoad quick-attach drawbar for John Deere long drawbar support (9R only)
- ▲ Universal drawbar for competitive tractors
- ▲ Universal quick-attach drawbar for competitive tractors
- ▲ Scraper drawbar hitch adapter
- ▲ Scraper quick-attach drawbar hitch adapter

*Not available on the 1510D C Carry-All Scraper.

While general information, pictures, and descriptions are provided, some illustrations and text may include product options and accessories NOT AVAILABLE in all regions, and in some countries products and accessories may require modifications or additions to ensure compliance with the local regulations of those countries. This literature has been compiled for worldwide circulation. PLEASE CONTACT YOUR LOCAL DEALER FOR DETAILS. John Deere reserves the right to change specifications, design, and price of products described in this literature without notice. Values are based on factory-observed data.




DKATRSC (23-11)

 **JOHN DEERE**