

244 P

Compact Wheel Loader



JOHN DEERE



244 P-TIER COMPACT WHEEL LOADER



RUN SMALL, DREAM BIG

Your workday is usually long, your tasks can take you into tight places, and you need a multipurpose machine to get everything done. Smaller do-it-all equipment that combines head-turning maneuverability, sure-footed stability, and comfortable capability with productive power, responsive travel speed, and ease of serviceability. Meet the 244 P-Tier Compact Wheel Loader, designed to include a wide range of reliable standard features and proven options that help you imagine the big results this highly adaptable multitasker can deliver for your operation.

FEATURES

Turn things around

Industry-exclusive Articulation Plus™ steering system combines 30 degrees of articulation with 10 additional degrees of rear-wheel steer. Reduced articulation angle design delivers tighter turns that are more stable, especially with large loads, than comparably sized loaders without Articulation Plus.

On the level

Loader arm and coupler design improves the lifting path to near parallel — for better load-carrying capability than previous models. This keeps the load more level from ground to truck-bed height and helps the operator focus on the task instead of on making manual adjustments.

Fast getaway

With a standard top speed of over 23 mph, the 244 P-Tier can make some pretty quick moves on and between jobsites.

Smooth moves

Load-sensing AutoShift powertrain technology eliminates productivity-interrupting manual shifts between gear ranges while providing smooth direction changes.

Control and command

Low-effort joystick controls boom and bucket, forward-neutral-reverse (F-N-R), and differential lock. Standard mini-joystick controls auxiliary hydraulic functions including optional high-flow. Adjustable-height monitor lets operators keep close watch on vital machine functions.

Enjoy the ride

Standard ride control cushions the boom during travel over rough and uneven terrain, reducing material spillage from the bucket and minimizing site cleanup.



**MORE
STABLE***

+



**MORE
MANEUVERABLE***

+



**MORE
CAPABLE***

*Compared to leading competitive articulation loaders of the same size.

Lighten up

In-cab lighting activates when the door is opened to illuminate machine entrances and exits. Optional LED front and rear work-lights brilliantly brighten early morning or after-daylight tasks.

Quick-change artist

Equip your 244 P-Tier with an ISO coupler to quickly and easily go from bucket to forks, for maximum lift capacity. Opt for the available John Deere quick-coupler to utilize a wide array of skid-steer-compatible attachments. High-flow electro-hydraulic-controlled auxiliary hydraulics are also available.

It's a lock

Optional throttle lock and creep control let operators set a slow ground speed while maintaining full engine power to an attachment. Now even easier to activate and adjust on the fly, these functions are perfect for work with snow blowers, cold planers, or material scrapers.

Get a grip

Manual low-speed 100-percent differential lock delivers the ground-gripping tractive effort needed to dive deep into the pile and help heap the bucket. Rimpull control manages power to the wheels, allowing the operator to select the optimal setting to reduce tire and driveline wear.

Keep your cool

Redesigned engine compartment and cooling package improve airflow and reduce the amount of debris entering the system compared to previous models. Access to all daily service checks and cooler cores is from ground level.



244 P-TIER COMPACT WHEEL LOADER



**OPTIONAL LED
FRONT & REAR WORKLIGHTS
ENHANCE VISIBILITY**



Business booster

John Deere attachments are a great way to expand the flexibility of your operation. With more than 100 models, they'll help you broaden your abilities, work smarter, and accomplish even more.

Here to back you up

Parts and service are always available at over 1,400 John Deere dealer locations throughout North America.



While general information, pictures, and descriptions are provided, some illustrations and text may include product options and accessories NOT AVAILABLE in all regions, and in some countries products and accessories may require modifications or additions to ensure compliance with the local regulations of those countries.

Engine		244 P-TIER	
Manufacturer and Model	Yanmar 4TNV98CT	Gross Rated Power at 2,400 rpm (ISO 14396)	54 kW (73 hp)
Non-Road Emission Standard	EPA Final Tier 4/EU Stage V	Peak Torque at 1,560 rpm	280 Nm (206 lb.-ft.)
Cylinders	4	Engine Bore and Stroke	98 x 110 mm (3.89 x 4.33 in.)
Valves per Cylinder	4	Lubrication	Pressure system with full-flow spin-on filter
Displacement	3.3 L (203 cu. in.)	Aspiration	Turbocharged
Net Peak Power at 2,400 rpm (SAE J1349 / ISO 9249)	52 kW (71 hp)	Air Cleaner	Dual safety element dry type
Cooling			
Fan	Hydraulically driven, proportionally controlled		
Engine Coolant Rating	-37 deg. C (-34 deg. F)		
Powertrain			
Type	Hydrostatic (HST) with infinitely variable speed control over full range of operating speeds; 2 speed ranges; joystick-mounted F-N-R; acceleration pedal; HST inching pedal, which allows infinitely reduced travel speeds while maintaining full engine rpm and hydraulic flow		
2 Travel Speeds in Forward and Reverse (equipped with 365/70R18 tires)			
Gear 1	18 km/h (11.0 mph)		
Gear 2	38 km/h (23.5 mph)		
Axles	Fixed, 100% differential, manually engaged front axle; fixed, conventional differential rear axle		
Rear Axle Oscillation Versus Front Axle	16 deg. total, stop to stop		
Differentials	Manual (push-button) 100% locking front, conventional rear		
Maximum Rise and Fall, Single Wheel	370 mm (14.5 in.)		
Steering	Hydraulic power steering (SAE J1511); 30-deg. articulation left and right with mechanical-actuated rear-wheel steering		
Steering Wheel Turns, Stop to Stop	4¼ (2 left / 2¼ right)		
Articulation Angle	60-deg. arc (30 deg. each direction)		
Final Drive	Heavy-duty outboard planetary		
Brakes (SAE J1473 / ISO 3450)			
Service Brakes	Hydraulically actuated, self-adjusting internal wet-disc brake and driveline drum brake		
Parking Brake	Automatically spring-applied, hydraulically released, internal wet disc		
Hydraulics			
Main Pump (loader and steering)	Fixed-displacement gear pump; open-center system		
Standard	70 L/m (18 gpm)	Hydraulic Cycle Times	
Total With High-Flow Option	109 L/m (29 gpm)	Raise	4.9 sec.
Maximum Pressure at Couplings	23 000 kPa (3,335 psi)	Dump	1.7 sec.
System Relief Pressure		Lower	3.5 sec.
Loader	23 000 kPa (3,335 psi)	Total	10.1 sec.
Steering	18 000 kPa (2,611 psi)		
Controls	Pilot-operated, 3-function valve with single-lever control for boom and bucket, standard pin disconnect and 3rd-function proportional electrohydraulic (EH) auxiliary hydraulics		
Cylinders			
Type	Heat-treated, chrome-plated, polished cylinder rods; hardened steel (replaceable bushings) pivot pins		
Electrical			
Type	Electrical load center with blade-type multi-fused circuits		
Voltage	12 volt		
Number of Batteries	1		
Battery Capacity	925 CCA		
Alternator Rating	80 amp		
Lights (SAE 99)	Driving/front working lights (2), turn signals, flashers, and stop- and taillights		
Operator Station			
Noise Level			
Operator Ear (ISO 6396)	70 dBA		
Bystander (ISO 6395)	101 dBA		
Tires/Wheels			
Tires on Single-Piece Rims	Tread Width*	Width Over Tires [†]	Change in Vertical Height
365/70R18 Mitas EM01 (standard)	1510 mm (4 ft. 11 in.)	1920 mm (6 ft. 4 in.)	0 mm (0 in.)
405/70R18 Firestone Duraforce (optional)	1510 mm (4 ft. 11 in.)	1960 mm (6 ft. 5 in.)	+23 mm (+0.9 in.)
400/70R20 Michelin XMCL (optional)	1510 mm (4 ft. 11 in.)	1960 mm (6 ft. 5 in.)	+44 mm (+1.7 in.)
400/70R20 Michelin Bibload (optional)	1510 mm (4 ft. 11 in.)	1950 mm (6 ft. 5 in.)	+38 mm (+0.9 in.)
400/70R20 Nokian Hakkapeliitta (optional)	1510 mm (4 ft. 11 in.)	1950 mm (6 ft. 5 in.)	+48 mm (+1.9 in.)
*Also see Q in Dimensions section on pages 7 and 9. / [†] Also see R in Dimensions section on pages 7 and 9.			
Serviceability			
Refill Capacities		Refill Capacities (continued)	
Cooling System (engine and radiator)	12.1 L (12.7 qt.)	Fuel Tank	90 L (23.8 gal.)
Differential and Planetary Axle		Hydraulic/HST Reservoir With Filter	66 L (17.4 gal.)
Front	5.2 L (5.5 qt.)	HST Motor Gearbox	1.7 L (1.8 qt.)
Rear	4.7 L (5.0 qt.)	Front/Rear Axle Planetary Hubs (each)	0.8 L (1.0 qt.)
Engine Oil With Filter	10 L (10.8 qt.)		

244 P-TIER WHEEL LOADER SPECIFICATIONS

244

P

While general information, pictures, and descriptions are provided, some illustrations and text may include product options and accessories NOT AVAILABLE in all regions, and in some countries products and accessories may require modifications or additions to ensure compliance with the local regulations of those countries.

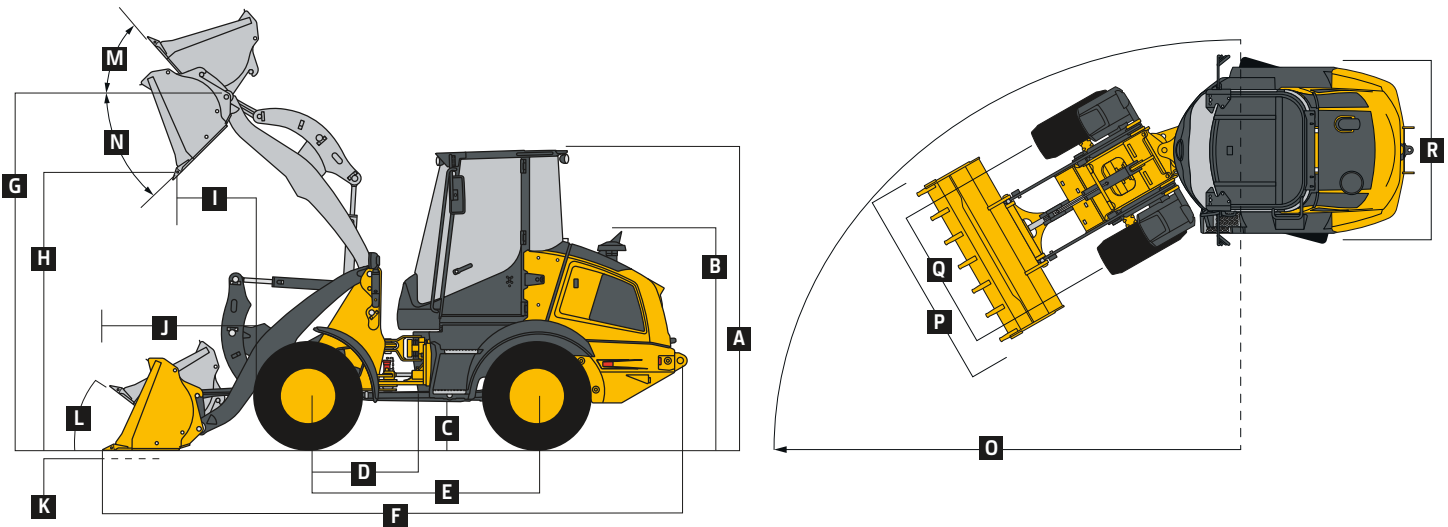
Operating Weights

244 P-TIER

With standard equipment, 365/70R18 tires, standard counterweight, cab, 79-kg (175 lb.) operator, and full fuel tank

ISO Quick-Coupler		Quik-Tatch Quick-Coupler (continued)	
With 0.8-m ³ (1.0 cu. yd.) General-Purpose (GP) Bucket With Bolt-On Edge	5560 kg (12,258 lb.)	With Fork	5500 kg (12,125 lb.)
With 1.1-m ³ (1.4 cu. yd.) GP Bucket With Bolt-On Edge	5680 kg (12,522 lb.)	Optional Components	
With Fork	5455 kg (12,026 lb.)	ISO Quick-Coupler	
Quik-Tatch™ Quick-Coupler		0.8-m ³ (1.0 cu. yd.) Bucket With Bolt-On Edge	337 kg (743 lb.)
With 0.8-m ³ (1.0 cu. yd.) GP Bucket With Bolt-On Edge	5690 kg (12,544 lb.)	1.1-m ³ (1.4 cu. yd.) Bucket With Bolt-On Edge	457 kg (1,008 lb.)
With 1.1-m ³ (1.4 cu. yd.) GP Bucket With Bolt-On Edge	5800 kg (12,787 lb.)	Fork and Tines	232 kg (511 lb.)
		Quik-Tatch Quick-Coupler	
		0.8-m ³ (1.0 cu. yd.) Bucket With Bolt-On Edge	467 kg (1,030 lb.)
		1.1-m ³ (1.4 cu. yd.) Bucket With Bolt-On Edge	577 kg (1,272 lb.)
		Fork and Tines	277 kg (611 lb.)

Dimensions and Specifications With ISO Quick-Coupler and Bucket



244 P-TIER Z-BAR LOADER WITH ISO QUICK-COUPLER AND BUCKET

Dimensions With ISO Quick-Coupler and General-Purpose (GP) Bucket With Bolt-On Edge	Standard Linkage	
	0.8-m ³ (1.0 cu. yd.)	1.1-m ³ (1.4 cu. yd.)
A Height to Top of Cab	2.75 m (9 ft. 0 in.)	2.75 m (9 ft. 0 in.)
B Height to Top of Exhaust	1.98 m (6 ft. 6 in.)	1.98 m (6 ft. 6 in.)
C Ground Clearance	285 mm (11 in.)	285 mm (11 in.)
D Length From Centerline to Front Axle	750 mm (30 in.)	750 mm (30 in.)
E Wheelbase	2.15 m (7 ft. 1 in.)	2.15 m (7 ft. 1 in.)
F Overall Length, Bucket on Ground	5.41 m (17 ft. 9 in.)	5.47 m (17 ft. 11 in.)
G Height to Hinge Pin, Fully Raised	3.22 m (10 ft. 7 in.)	3.22 m (10 ft. 7 in.)
H Dump Clearance, 40-deg. Full Height	2.52 m (8 ft. 3 in.)	2.48 m (8 ft. 2 in.)
I Reach, 40-deg. Dump, Full Height	810 mm (32 in.)	860 mm (34 in.)
J Maximum Dump Reach, 42-deg. Dump	1.52 m (5 ft. 0 in.)	1.56 m (5 ft. 1 in.)
K Maximum Digging Depth	95 mm (4 in.)	95 mm (4 in.)
L Maximum Rollback at Ground Level	39 deg.	39 deg.
M Maximum Rollback at Full Height	55 deg.	55 deg.
N Bucket Dump at Full Height	42 deg.	42 deg.
O Turning Circle Radius Over Outside of Bucket Edge	3.82 m (12 ft. 6 in.)	3.97 m (13 ft. 0 in.)
P Bucket Width	1.90 m (6 ft. 3 in.)	2.20 m (7 ft. 3 in.)
Q Tread Width (standard) [§]	1510 mm (4 ft. 11 in.)	1510 mm (4 ft. 11 in.)
R Width Over Tires (standard) [§]	1920 mm (6 ft. 4 in.)	1920 mm (6 ft. 4 in.)
Loader Clearance Circle, Bucket Carry Position	7.64 m (25 ft. 1 in.)	7.94 m (26 ft. 1 in.)

[§]Also see **Tires/Wheels** section on page 6.

Specifications With ISO Quick-Coupler and Bucket

Capacity, Heaped (SAE)	0.8 m ³ (1.0 cu. yd.)	1.1 m ³ (1.4 cu. yd.)
Capacity, Struck (SAE)	0.66 m ³ (0.86 cu. yd.)	0.9 m ³ (1.18 cu. yd.)
Breakout Force (SAE J732C)	4895 kg (10,792 lb.)	4410 kg (9,722 lb.)
Tipping Load, Straight	4060 kg (8,951 lb.)	3930 kg (8,664 lb.)
Tipping Load, Full Turn (SAE)	3700 kg (8,157 lb.)	3580 kg (7,893 lb.)
Rated Operating Load, 50% of Full-Turn Tipping Load (conforms to ISO 14397-1)*	1850 kg (4,079 lb.)	1790 kg (3,946 lb.)

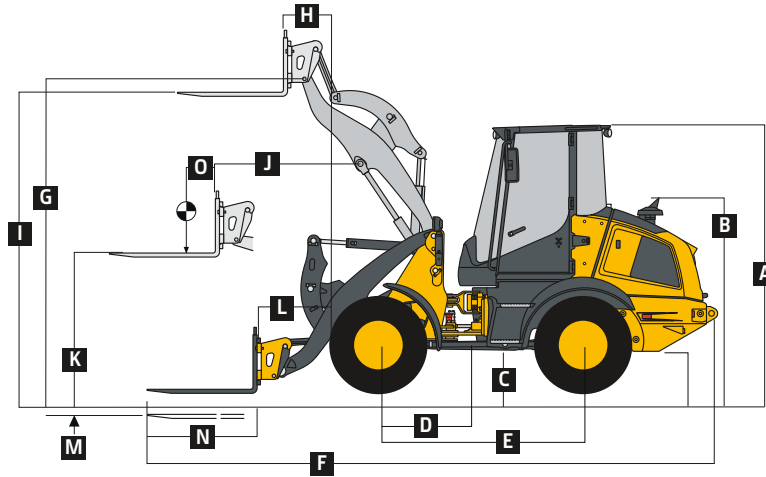
*Rated operating capacity based on Deere attachments only.

244 P-TIER

While general information, pictures, and descriptions are provided, some illustrations and text may include product options and accessories NOT AVAILABLE in all regions, and in some countries products and accessories may require modifications or additions to ensure compliance with the local regulations of those countries.

Dimensions and Specifications With ISO Quick-Coupler and Fork

244 P-TIER



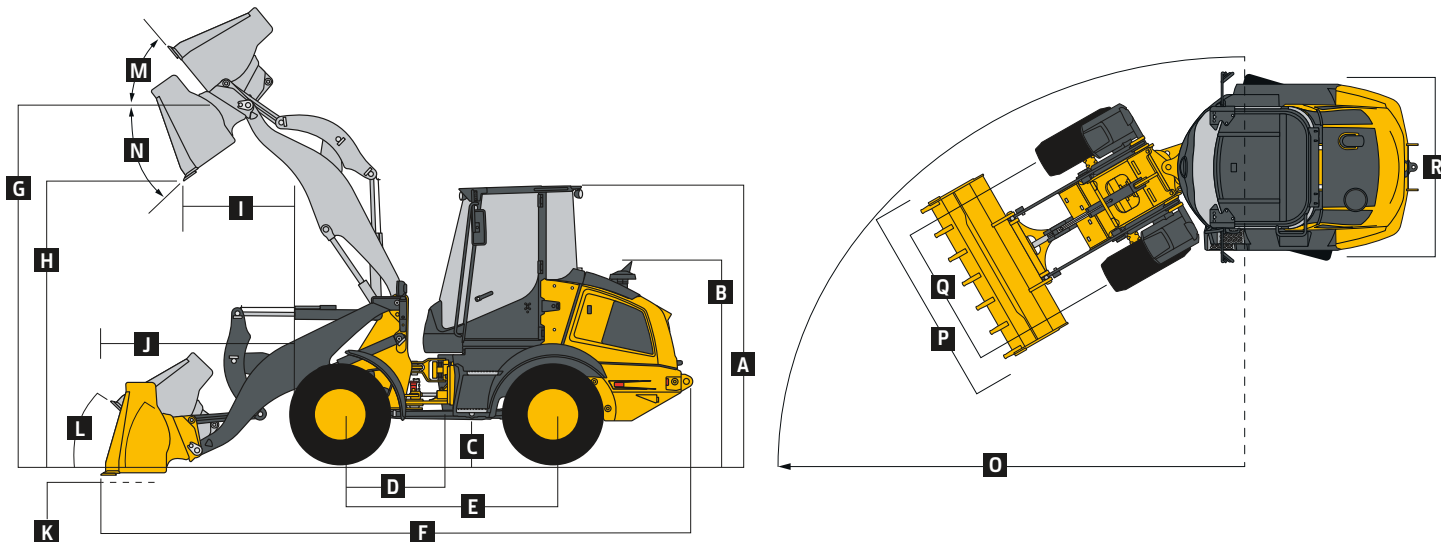
244 P-TIER Z-BAR LOADER WITH ISO QUICK-COUPLER AND FORK

Dimensions With ISO Quick-Coupler and Fork		Standard Linkage
A	Height to Top of Cab	2.75 m (9 ft. 0 in.)
B	Height to Top of Exhaust	1.98 m (6 ft. 6 in.)
C	Ground Clearance	285 mm (11 in.)
D	Length From Centerline to Front Axle	750 mm (30 in.)
E	Wheelbase	2.15 m (7 ft. 1 in.)
F	Overall Length, Forks on Ground	5.99 m (19 ft. 8 in.)
G	Height to Hinge Pin, Fully Raised	3.22 m (10 ft. 7 in.)
H	Reach, Fully Raised	525 mm (21 in.)
I	Fork Height, Fully Raised	3.05 m (10 ft. 0 in.)
J	Maximum Reach, Fork Level	1.24 m (4 ft. 1 in.)
K	Fork Height, Maximum Reach	1.45 m (4 ft. 9 in.)
L	Reach, Ground Level	740 mm (29 in.)
M	Depth Below Ground	50 mm (2 in.)
N	Tine Length	1.20 m (48 in.)
O	Load Position, 50% Tine Length	600 mm (24 in.)
Specifications With ISO Quick-Coupler and Fork		As measured with fork level, centered on tine
	Tipping Load, Straight	3215 kg (7,088 lb.)
	Tipping Load, Full Turn (SAE)	2930 kg (6,460 lb.)
	Rated Operating Load, 50% Full-Turn Tipping Load (conforms to SAE J1197 / ISO 14397-1)*	1465 kg (3,230 lb.) [†]
	Rated Operating Load, Rough Terrain, 60% Full-Turn Tipping Load (conforms to EN474-3)*	1820 kg (4,012 lb.) [†]
	Rated Operating Load, Firm and Level Ground, 80% Full-Turn Tipping Load (conforms to EN474-3)*	2300 kg (5,071 lb.) [†]

*Rated operating capacity based on Deere attachments only. / [†]Payload on forks is limited by tilt cylinder.

Dimensions and Specifications With Quik-Tatch™ Coupler and Bucket

244 P-TIER



244 P-TIER Z-BAR LOADER WITH QUIK-TATCH COUPLER AND BUCKET

	Standard Linkage	Standard Linkage
Dimensions With Quik-Tatch Coupler and General-Purpose (GP) Bucket With Bolt-On Edge		
A Height to Top of Cab	2.75 m (9 ft. 0 in.)	2.75 m (9 ft. 0 in.)
B Height to Top of Exhaust	1.98 m (6 ft. 6 in.)	1.98 m (6 ft. 6 in.)
C Ground Clearance	285 mm (11 in.)	285 mm (11 in.)
D Length From Centerline to Front Axle	750 mm (30 in.)	750 mm (30 in.)
E Wheelbase	2.15 m (7 ft. 1 in.)	2.15 m (7 ft. 1 in.)
F Overall Length, Bucket on Ground	5.61 m (18 ft. 5 in.)	5.68 m (18 ft. 7 in.)
G Height to Hinge Pin, Fully Raised	3.22 m (10 ft. 7 in.)	3.22 m (10 ft. 7 in.)
H Dump Clearance, 40-deg. Full Height	2.52 m (8 ft. 3 in.)	2.45 m (8 ft. 0 in.)
I Reach, 40-deg. Dump, Full Height	1.09 m (3 ft. 7 in.)	1.15 m (3 ft. 9 in.)
J Maximum Dump Reach, 42-deg. Dump	1.71 m (5 ft. 7 in.)	1.76 m (5 ft. 9 in.)
K Maximum Digging Depth	55 mm (2 in.)	55 mm (2 in.)
L Maximum Rollback at Ground Level	50 deg.	50 deg.
M Maximum Rollback at Full Height	58 deg.	58 deg.
N Bucket Dump at Full Height	40 deg.	40 deg.
O Turning Circle Radius Over Outside of Bucket Edge	3.87 m (12 ft. 8 in.)	4.02 m (13 ft. 2 in.)
P Bucket Width	1.90 m (6 ft. 3 in.)	2.20 m (7 ft. 3 in.)
Q Tread Width (standard) [§]	1510 mm (4 ft. 11 in.)	1510 mm (4 ft. 11 in.)
R Width Over Tires (standard) [§]	1920 mm (6 ft. 4 in.)	1920 mm (6 ft. 4 in.)
Loader Clearance Circle, Bucket Carry Position	7.73 m (25 ft. 4 in.)	8.03 m (26 ft. 4 in.)
[§] Also see Tires/Wheels section on page 6.		
Specifications With Quik-Tatch Coupler and Bucket		
Capacity, Heaped (SAE)	0.8 m ³ (1.0 cu. yd.)	1.1 m ³ (1.4 cu. yd.)
Capacity, Struck (SAE)	0.66 m ³ (0.86 cu. yd.)	0.9 m ³ (1.18 cu. yd.)
Breakout Force (SAE J732C)	3645 kg (8,036 lb.)	3295 kg (7,264 lb.)
Tipping Load, Straight	3620 kg (7,981 lb.)	3500 kg (7,716 lb.)
Tipping Load, Full Turn (SAE)	3310 kg (7,297 lb.)	3200 kg (7,055 lb.)
Rated Operating Load, 50% of Full-Turn Tipping Load (conforms to ISO 14397-1)*	1655 kg (3,649 lb.)	1600 kg (3,527 lb.)

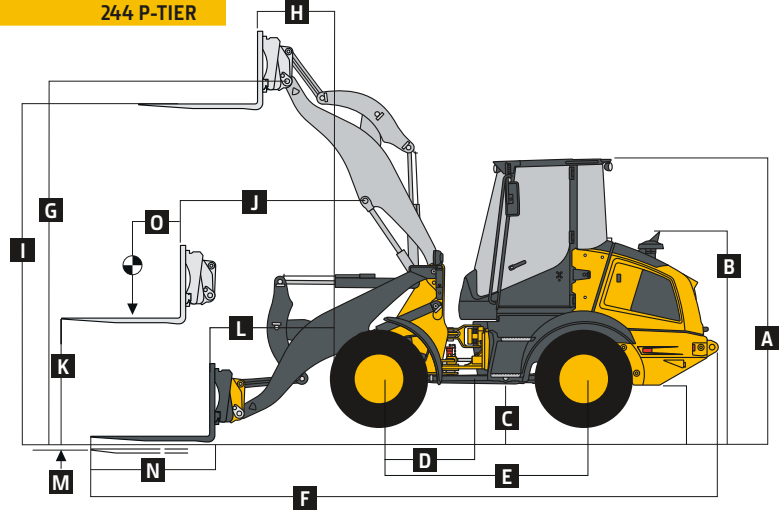
*Rated operating capacity based on Deere attachments only.

244 P-TIER

While general information, pictures, and descriptions are provided, some illustrations and text may include product options and accessories NOT AVAILABLE in all regions, and in some countries products and accessories may require modifications or additions to ensure compliance with the local regulations of those countries.

Dimensions and Specifications With Quik-Tatch Coupler and Fork

244 P-TIER



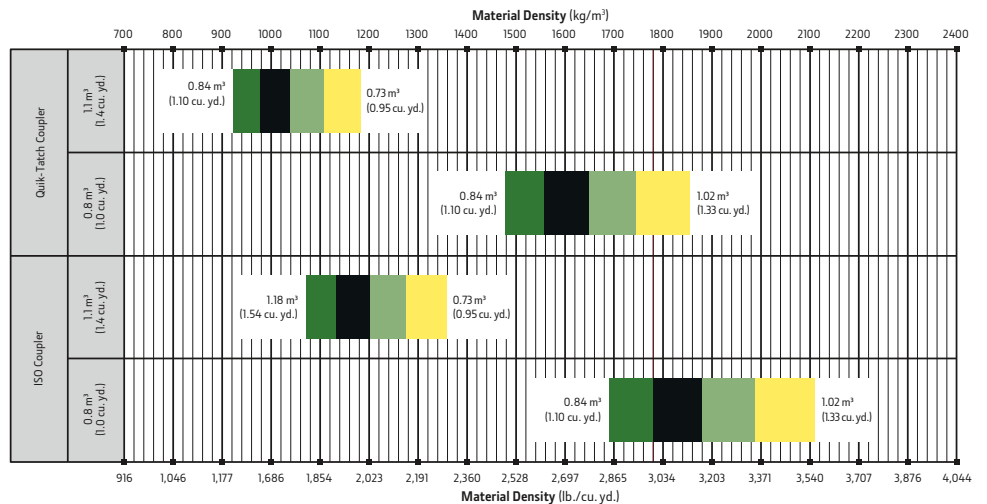
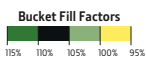
244 P-TIER Z-BAR LOADER WITH QUIK-TATCH COUPLER AND FORK

Dimensions With Quik-Tatch Coupler and Fork		Standard Linkage
A	Height to Top of Cab	2.75 m (9 ft. 0 in.)
B	Height to Top of Exhaust	1.98 m (6 ft. 6 in.)
C	Ground Clearance	285 mm (11 in.)
D	Length From Centerline to Front Axle	750 mm (30 in.)
E	Wheelbase	2.15 m (7 ft. 1 in.)
F	Overall Length, Forks on Ground	6.08 m (19 ft. 11 in.)
G	Height to Hinge Pin, Fully Raised	3.22 m (10 ft. 7 in.)
H	Reach, Fully Raised	570 mm (22 in.)
I	Fork Height, Fully Raised	3.03 m (9 ft. 11 in.)
J	Maximum Reach, Fork Level	1.28 m (4 ft. 2 in.)
K	Fork Height, Maximum Reach	1.42 m (4 ft. 8 in.)
L	Reach, Ground Level	785 mm (31 in.)
M	Depth Below Ground	75 mm (3 in.)
N	Tine Length	1.20 m (48 in.)
O	Load Position, 50% Tine Length	600 mm (24 in.)
Specifications With Quik-Tatch Coupler and Fork		As measured with fork level, centered on tine
	Tipping Load, Straight	3060 kg (6,746 lb.)
	Tipping Load, Full Turn (SAE)	2800 kg (6,173 lb.)
	Rated Operating Load, 50% Full-Turn Tipping Load (conforms to SAE J1197 / ISO 14397-1)*	1400 kg (3,086 lb.)†
	Rated Operating Load, Rough Terrain, 60% Full-Turn Tipping Load (conforms to EN474-3)*	1680 kg (3,704 lb.)†
	Rated Operating Load, Firm and Level Ground, 80% Full-Turn Tipping Load (conforms to EN474-3)*	2160 kg (4,762 lb.)†

*Rated operating capacity based on Deere attachments only. / †Payload on forks is limited by tilt cylinder.

Bucket Selection Guide

LOOSE MATERIALS	kg/m ³	lb./cu. yd.	LOOSE MATERIALS	kg/m ³	lb./cu. yd.
Chips, pulpwood	288	486	Limestone, coarse, sized	1570	2,646
Cinders (coal, ashes, clinkers)	673	1,134	Limestone, mixed sizes	1682	2,835
Clay and gravel, dry	1602	2,700	Limestone, pulverized or crushed	1362	2,295
Clay, compact, solid	1746	2,943	Sand, damp	2083	3,510
Clay, dry in lump, loose	1009	1,701	Sand, dry	1762	2,970
Clay, excavated in water	1282	2,160	Sand, voids, full of water	2083	3,510
Coal, anthracite, broken, loose	865	1,458	Sandstone, quarried	1314	2,214
Coal, bituminous, moderately wet	801	1,350	Shale, broken crushed	1362	2,295
Earth, common loam, dry	1218	2,052	Slag, furnace granulated	1955	3,294
Earth, mud, packed	1843	3,105	Stone or gravel, 37.5 to 87.5-mm (1.5 to 3.5 in.) size	1442	2,430
Granite, broken	1538	2,592	Stone or gravel, 18.75-mm (0.75 in.) size	1602	2,700
Gypsum	2275	3,834			



Additional equipment

Key: ● Standard ▲ Optional or special

See your John Deere dealer for further information.

244 P Engine

- Antifreeze, -37 deg. C (-34 deg. F)
- Coolant recovery tank
- Fan safety guard
- Fan, suction type, hydraulically driven, proportional speed
- Environmentally friendly engine oil drain
- Spin-on engine oil and fuel filter
- Engine oil cooler
- Quick-release fuel filter and water separator
- Under-hood dual-element air cleaner with restriction indicator with dust-evacuator valve
- Prescreened air intake
- Automatic glow plugs for cold start
- ▲ Engine coolant heater, 110 volts

Electrical

- Starter switch with electric fuel cutoff
- 12-volt system
- Electrical load center with blade-type fuses behind operator's seat
- Standard 925-CCA battery
- Master electrical disconnect switch
- Alternator, 12 volts, 80 amps
- Horn (conforms to SAE J994 / J1446)
- Lights (conform to SAE 99): Driving / Front working (2) / Turn signals / Flashers / Stop / Taillights
- Worklights, rear (2)
- Reverse warning alarm (conforms to SAE J994 / J1446)
- Multifunction monitor with audible and visual warnings: Low engine oil pressure, engine coolant temperature, hydraulic oil temperature warning light, and parking brake indicator / Gauge and indicator: Engine coolant temperature gauge, fuel level gauge, speedometer, clock, and hour meter
- Indicator lights: Engine air filter / Parking brake actuated / Forward/reverse travel / 1st- or 2nd-speed range / Turn signal and hazard lights / High-beam driving lights indicator / Battery voltage
- Pre-wired for roof beacon

Powertrain/Brakes

- Smooth AutoShift technology up to 38 km/h (23 mph)

244 P Powertrain/Brakes (continued)

- Hydrostatic (HST) transmission: Electric shift control / Single-lever joystick F-N-R / HST oil cooler / Inching pedal / 2 speeds forward and reverse / Infinitely variable speed control
- Rimpull control
- Service brakes, hydraulically actuated, self-adjusting internal wet-disc brake and driveline drum brake
- Parking brake, spring applied, hydraulically released, switch operated
- Conventional-type rear differentials, 100% locking front differential

Hydraulic System

- Hydraulic fan for demand-based cooling
- Hydraulic system oil cooler
- Automatic bucket return-to-dig control
- Boom float detent
- Reservoir sight gauge for hydraulic/HST oil
- Fine-micron hydraulic filters, vertical mounting
- Hydraulic function lockout
- 3-function hydraulic valve with pilot joystick control including auxiliary electrohydraulic (EH) proportional control for 3rd function
- ▲ 109-L/m (29 gpm) high-flow option
- Quick-coupler diagnostic ports: Priority pressure / Hydraulic pump pressure / Control valve pressure / HST pressure

Operator's Station

- Cab (conforms to SAE J1040, SAE J231, ISO 3471, and ISO 3449): ROPS/FOPS / Heater/defroster / Rubber-plane isolation mounted for noise/vibration reduction / Intermittent front and rear windshield wipers and washers / Tinted safety glass / Adjustable sun visor / Mid-back cloth seat with mechanical suspension / 51-mm (2 in.) retractable seat belt / Full swing-out left and right doors with sliding window in left door
- ▲ Premium air-ride high-back heated seat with headrest and dual lumbar control
- Radio-ready cab, fused 12-volt radio electrical lead and speakers, and power port
- ▲ AM/FM/Weather-Band (WB) radio

244 P Operator's Station (continued)

- Air conditioning
- Storage compartment for operator's manual and other items located under operator seat and 2 options left of operator seat
- Rubber floor mat
- Dual tilt and telescoping steering column
- Rearview mirrors, outside (2) and inside (1) (conform to SAE J985)
- Handholds and steps, ergonomically located and slip resistant (conform to SAE J185)
- ▲ 76-mm (3 in.) retractable seat belt

Loader Linkage

- Z-Bar loader linkage provides high bucket breakout
- Loader boom service locking bar (conforms to SAE J38)

Buckets and Attachments

- ▲ Full line of buckets with bolt-on cutting edges
- ▲ ISO-style quick-coupler
- ▲ Quik-Tatch™ coupler
- ▲ Full line of construction utility forks, pallet forks, and other John Deere attachments*

Tires

- 365/70R18 Mitas EM-01
- ▲ 405/70R18 Firestone Duraforce
- ▲ 400/70R20 Michelin XMCL
- ▲ 400/70R20 Michelin Bibload
- ▲ 400/70R20 Nokian Hakkapeliitta

Other

- ▲ LED worklights (spot or flood)
- ▲ Hydraulic reversing fan
- ▲ Front window guard
- Fenders, front and rear
- Articulation locking bar (conforms to SAE J276)
- Vandal protection, includes lockable engine enclosure and fuel fill
- Cast rear counterweight
- Drawbar, with locking pin
- Lift eyes
- Tie-downs
- Ride control
- ▲ Creep control/throttle lock
- ▲ Fire extinguisher

*See your John Deere dealer for further information.

While general information, pictures, and descriptions are provided, some illustrations and text may include product options and accessories NOT AVAILABLE in all regions, and in some countries products and accessories may require modifications or additions to ensure compliance with the local regulations of those countries.

Net engine power is with standard equipment including air cleaner, exhaust system, alternator, and cooling fan, at standard conditions per SAE J1349 and DIN 70 020, using No. 2-D fuel at 35 API gravity. No derating is required up to 1500-m (5,000 ft.) altitude. Gross power is without cooling fan. Specifications and design subject to change without notice. Wherever applicable, specifications are in accordance with SAE standards. Except where otherwise noted, these specifications are based on a unit with all standard equipment, ROPS cab, 365/70R18 Mitas EM-01 tires, full fuel tank, air conditioning off, and 79-kg (175 lb.) operator.



MW244PAU (23-05)



JOHN DEERE