



JOHN DEERE

# 768L-II BOGIE SKIDDER





## 768L-II BOGIE SKIDDER



# RELIABLE WARRIOR IN THE WOODS.

When loggers like you tell us what they need to succeed in the woods and at the landing, we listen and then get to work putting ideas into action. Based on some of your best input, the John Deere 768L-II Bogie Skidder boasts a wealth of performance and durability features to keep you running long and strong. Our latest upgrades reflect years of continual refinement that have resulted in a proven machine that's simple to operate, easy to maintain, and reliable to own. The 768L-II is more than ready to help you take on tasks in the real woods.

### **Ground-game changer**

For work in wet, muddy conditions, the 768L-II Bogie Skidder can turn the tide. Combining tenacious tractive ability and flotation with reduced ground pressure, this six-wheel specialist is designed to carry large loads longer distances.

### **Best of both worlds**

Continuously Variable Transmission (CVT) combines the efficiency of direct drive with the smoothness and operating ease of hydrostatic drive. Automatically sensing the load, CVT delivers torque and tractive effort as needed to maintain the maximum speed the operator sets, reducing engine wear, optimizing fluid economy, and eliminating manual shifting.

### **Large and in charge**

Optional 2.07-square-meter (22.3 square foot) grapple on the 768L-II helps you deliver more wood to the landing with fewer skids. Grapple squeeze provides a constant pressure, so operators are less likely to lose a log, even if a load gets jarred.





## 22.3-SQ.-FT. MAX. GRAPPLE CAPACITY EXPANDS FLEXIBILITY

### **Balance of power**

The 768L-II features balanced bogie axles that help reduce machine vibration to deliver a comfortably smooth ride plus outstanding traction and flotation in wet and muddy terrain.

### **Independent axle-diff lock**

Engage the front and rear axles, or just the front or rear as needed, to maneuver over tough terrain.

### **All about uptime**

Simplified routing of the electrical and hydraulic systems helps boost reliability and ease maintenance. Improved protection of wiring and hoses minimizes wear and bending. Electrical components are durably constructed to withstand tough forestry applications and extend wear life.

### **Effortless operation**

Armrest-mounted electrohydraulic controls provide easy, fingertip operation of all machine functions. Joystick steering provides smooth, intuitive control of steering, direction, and ground speed.



768L-II BOGIE SKIDDER

***PUT TECHNOLOGY TO WORK  
IN THE WOODS AND AT THE OFFICE.***

Coordinate your operation and your team's productivity from wherever your work takes you with John Deere Precision Forestry and our core technology solutions.



## FEATURES

### Core intelligence

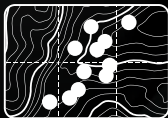
Your John Deere Forestry machine arrives from the factory equipped with a powerful set of technologies and capabilities already built in. Each plays an important role in managing the health and performance of your overall equipment fleet:

- The **John Deere Operations Center™** lets you track your equipment, see which machines are working, and know if they're being utilized properly and at maximum productivity and efficiency.
- **John Deere Connected Support™** leverages a suite of dealer and factory tools designed to deliver increased uptime and productivity, and lower daily operating costs.
- **Remote Diagnostics and Programming Capability** within John Deere Connected Support helps your dealer warn you of any issue with your machine — often before you know of the problem yourself — and initiate solutions without charging you for a technician's visit to your jobsite.
- Our advanced dual approach to **Machine Health** combines the expertise of the technology specialists at our dealerships with the data specialists at our central Machine Health Monitoring Center (MHMC). As part of John Deere Connected Support, information from thousands of connected machines flows through the MHMC, enabling our specialists to identify trends and develop new and improved preventative-maintenance and repair protocols.

### Precision Forestry

Take the guesswork out of planning, implementing, and monitoring your logging operation. The tools of our production-planning and -tracking system expand on the core technology features that come standard in every John Deere Forestry machine to unleash a powerful new array of possibilities:

- **TimberMatic™ Maps** is an innovative onboard software solution that helps you reimagine your jobsites. Real-time production views, optimized routes, and shared wireless connections between machines make it easier than ever before to take your forestry operation to the next level.
- **TimberManager™** is a web-based solution for PCs, tablets, and mobile phones that allows you to follow jobsite progress. Combined with TimberMatic Maps, this software provides complete visibility of your operation — from land harvested to specific machines — so you can streamline communication, analyze tasks, and increase productivity:
  - **Remote Monitoring** keeps tabs on the health and performance of your fleet from wherever you are.
  - **Precise Progress Tracking** lets you set goals for your team to meet throughout the day.
  - **Live Production View** displays progress including tree count, area harvested, and estimated tonnage.
  - **Simplified Mapping** of machine data and GPS-based location tracking shows precise stem and log counts.
  - **Real-Time Updates** let you adjust course or eliminate tasks if needed to maintain steady workflow.
  - **Fleet Optimization** goes beyond machine management to help improve the efficiency of your business.



**JOHN DEERE  
PRECISION FORESTRY**

TOOLS ENABLE PRODUCTION  
PLANNING & TRACKING



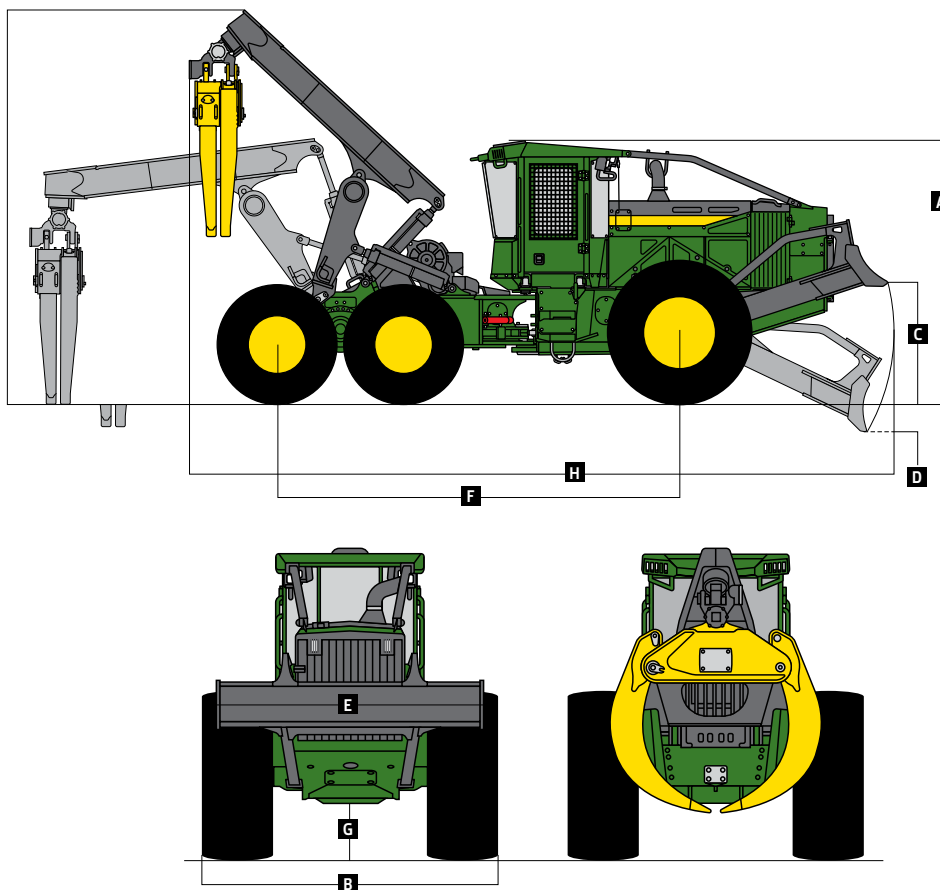
# 768L-II BOGIE SKIDDER SPECIFICATIONS

Engine		768L-II	
Manufacturer and Model	John Deere PowerTech™ PSS 9.0 L	John Deere PowerTech™ Plus 9.0 L	John Deere PowerTech™ 9.0 L
Off-Road Emission Standards	EPA Final Tier 4 (FT4)/EU Stage V	EPA Tier 3/EU Stage IIIA	EPA Tier 2/EU Stage II
Gross Power	210 kW (281 hp) at 1,800 rpm	210 kW (281 hp) at 1,800 rpm	210 kW (281 hp) at 1,800 rpm
Gross Torque	1276 Nm (941 ft.-lb.) at 1,400 rpm	1276 Nm (941 ft.-lb.) at 1,400 rpm	1276 Nm (941 ft.-lb.) at 1,400 rpm
Engine Displacement	9.0 L (549 cu. in.)	9.0 L (549 cu. in.)	9.0 L (549 cu. in.)
Fuel System	High-pressure common rail	High-pressure common rail	High-pressure common rail
Aspiration	Turbocharged and charge-air cooled	Turbocharged and charge-air cooled	Turbocharged and charge-air cooled
Cooling			
Cooling System	Heavy-duty radiator with continuous deaeration tank and recovery reservoir		
Fan Drive	Hydraulic, variable speed, reversing		
Powertrain			
Transmission	Continuously Variable Transmission (CVT)		
Speed Ranges, Forward and Reverse	6		
Maximum Travel Speed With 30.5-32 Front Tires	0–1797 km/h (0–11.16 mph) — 6 speed-range configurations available		
Axles	1425 Super-Wide Extreme-Duty Axle (SWEDA™) front / bogie-axle rear		
Front Axle Oscillation, Stop to Stop	30 deg.		
Differential (front and rear)	Hydraulic-locking, operated-on-the-go, differential lock		
Steering	Fully hydraulic, joystick		
Articulation Angle	45-deg. each direction		
Service Brakes	Inboard-mounted, wet-disc, oil-cooled, front and rear axles		
Parking Brake	Automatically spring-applied, hydraulically released, sealed and lubricated, wet multi-disc		
Hydraulics			
Main Pump	Open circuit, axial piston, variable displacement		
Maximum Displacement	85 cc/rev (5.19 ci/rev)		
Electrical System			
Voltage	24 volt		
Number of Batteries (12 volt)	2		
Battery Capacity (each)	950 CCA		
Alternator Rating	150 amp		
Lights (optional)	11		
Dual-Function Grapples			
Boom	3.7 m (12 ft.)		
Standard			
Opening	3785 mm (149 in.)		
Area	1.77 m <sup>2</sup> (19.1 sq. ft.)		
Optional			
Opening	3886 mm (153 in.)		
Area	1.63 m <sup>2</sup> (17.5 sq. ft.)		
Optional			
Opening	3886 mm (153 in.)		
Area	2.07 m <sup>2</sup> (22.3 sq. ft.)		
Grapple Control	Joystick		
Refill Capacities			
Fuel Tank			
Standard	352.0 L (93.0 gal.)		
Optional	496.6 L (131.2 gal.)		
Hydraulic Reservoir	123.6 L (32.6 gal.)		
Diesel Exhaust Fluid (DEF) Tank	19.9 L (5.2 gal.)		
Operating Weight			
Machine Weight	23 697 kg (52,245 lb.)		
Dozer Blade			
Type	Standard and Replaceable Cutting Edge (RCE)		
Width	2962.4 mm (116.6 in.)		
Height	691.0 mm (27.2 in.)		
Blade Control	Joystick		

While general information, pictures, and descriptions are provided, some illustrations and text may include product options and accessories NOT AVAILABLE in all regions, and in some countries products and accessories may require modifications or additions to ensure compliance with the local regulations of those countries.

Winch		768L-II
Winch Control		Joystick control, hydraulically driven
Cable Capacity		2-Speed 4000 Winch With 204-mm (8.03 in.) Drum
15.8 mm (5/8 in.)		77.4 m (252 ft.)
19.1 mm (3/4 in.)		54.6 m (177 ft.)
22.2 mm (7/8 in.)		39.3 m (128 ft.)
25.4 mm (1 in.)		30.7 m (100 ft.)
Line Pull – 15.8-mm (5/8 in.) Cable		<i>Bare Drum at Stall</i>
Low Speed		213.5 kN (47,997 lb.)
High Speed		142.3 kN (31,990 lb.)
Line Speed – 15.8-mm (5/8 in.) Cable		<i>Bare Drum at 1,800 rpm</i>
Low Speed		13.4 m/min (44 fpm)
High Speed		20.1 m/min (66 fpm)
Machine Dimensions		<i>Dual Function</i>
Tire Size		<b>30.5-32 Front Axle / 780/50-28.5 Rear Axle</b>
<b>A</b> Overall Height		3365 mm (132.5 in.)
<b>B</b> Overall Width		3508 mm (138.1 in.)
<b>C</b> Maximum Blade Lift Above Ground		1517 mm (59.7 in.)
<b>D</b> Maximum Blade Dig Below Ground		359 mm (14.1 in.)
<b>E</b> Dozer Blade Width		2962.4 mm (116.6 in.)
<b>F</b> Wheelbase		4416.7 mm (173.8 in.)
<b>G</b> Ground Clearance		557 mm (21.9 in.)
<b>H</b> Overall Length		9075.3 mm (357.2 in.)

### 768L-II Bogie Skidder With Dual-Function Grapple



While general information, pictures, and descriptions are provided, some illustrations and text may include product options and accessories NOT AVAILABLE in all regions, and in some countries products and accessories may require modifications or additions to ensure compliance with the local regulations of those countries.





MSK768LIU (23-06)

Contact us to learn more.

[JohnDeere.com/Skidders](https://JohnDeere.com/Skidders)  
[JohnDeere.ca/Skidders](https://JohnDeere.ca/Skidders)



**JOHN DEERE**