

210 G

Tractor Loader



JOHN DEERE





210 G-TIER TRACTOR LOADER

INDUSTRIAL-STRENGTH BUSINESS MODEL

For years, the John Deere “skip” loader has been popular on the West Coast. Its go-anywhere grading ability and operating ease have helped make this “secret weapon” one of the worst-kept secrets in the business. With its outstanding versatility and durability, our 210 G-Tier Tractor Loader is more than just a great grading machine. Packed with customer-inspired innovations and purpose built for unique applications, this tenacious taskmaster is designed to fit within your budget and on a wide range of jobsites. Equip yours with a multipurpose bucket or multitude of other attachments to find out why it’s catching on just about everywhere.



FEATURES

Go for it

Mechanical-front-wheel drive (MFWD) and differential lock can be engaged on the go to supply extra traction in poor underfoot conditions or for moving heavy loads. Optional limited-slip front axle delivers 65 percent of available power to the tire with the best traction for true all-wheel-drive pulling power.

Dependable engine technology

You can trust the reliability, performance, and fuel efficiency of the proven Yanmar 3.3L engine. This EPA Interim Tier 4 (IT4)-equivalent diesel complies with Final Tier 4 (FT4) emissions regulations without the need for aftertreatment components, minimizing machine complexity and the number of parts needed to maintain your fleet.

Make the grade

Factory-installed Grade-Control-Ready option enables operators to complete finish grading faster, easier, and with greater accuracy. The package includes the base components needed for using a 2D or 3D grade-technology system to control box-blade lift and tilt cylinders. The machine is then completed with a dealer-supplied technology finishing kit of your choice. For less complex grading, an entry-level grade-indication option provides the operator with machine roll and pitch with ± 0.5 -percent accuracy.

Positioned for productivity

Hitch design makes it easy to position the box blade over the pile, boosting versatility and productivity. Integral three-point hitch accommodates a variety of Category 2 tools such as disks, mowers, blades, and box scrapers.



RELIABLE

+



SIMPLE TO
SERVICE

FIND YOUR FIT



LEADING EDGE

Premium edge with innovative technology



EXCEPTIONAL PERFORMANCE

Advanced features and performance



RUGGED AND RELIABLE

Proven capabilities and value

Enjoy the ride

Optional ride control reduces tire flexing over rough terrain with a loaded bucket, reducing material spillage and improving machine ride to boost operator comfort and efficiency.

Comfortable and in control

Including customer-inspired features such as 70-degree seat rotation and an ergonomic loader grip, the 210 G-Tier operator station sets the standard for ease of control and operation. Equipped with either a standard canopy or an optional four-season air-conditioned/heated cab, comfort and productivity are front and center.

Get a grip

“Palm-on-top” loader-control grip is convenient and easy to use. Optional control of auxiliary proportional roller and momentary mechanical-front-wheel drive (MFWD) is at your fingertips.

Smooth operator

Exclusive PowerShift™ transmission allows smooth no-clutch fingertip shifting and direction changes, for fast work cycles.

Tough enough

Large-diameter hitch and tilt cylinder pins reinforce durability, for long life. Optional transmission guard provides more protection from stones, stumps, and debris, while preventing material accumulation when backing over the pile.

Take a side

Two-position tilt hood enables same-side ground-level access to engine and transmission dipsticks, engine-oil fill, fuel and air filters, and coolant reservoir. Fuel fill is also conveniently close.



**JOBSITE
PROVEN**



**EASY TO
OPERATE**



210 G-TIER TRACTOR LOADER



Precision Construction

From grade management and obstacle detection to product automation features and jobsite intelligence, this suite of construction technology delivers productivity solutions to help you get more done, more efficiently.

John Deere construction equipment comes with in-base connectivity — free from subscriptions or annual renewals. Analyze critical machine data, track utilization, review diagnostic alerts, and more from **the John Deere Operations Center™**. The Operations Center also enables **John Deere Connected Support™**, which uses data from thousands of connected machines to proactively address issues before they arise. Your dealer can also remotely monitor machine health, diagnose problems, and even update machine software without a trip to the jobsite.*

*Availability varies by region and product. Options not available in every country.

While general information, pictures, and descriptions are provided, some illustrations and text may include product options and accessories NOT AVAILABLE in all regions, and in some countries products and accessories may require modifications or additions to ensure compliance with the local regulations of those countries.

| | | |
|--|--|------------------------|
| Engine | 210 G-TIER | |
| Manufacturer and Model | Yanmar 4TNV98CT turbocharged | |
| Non-Road Emission Standard | EPA Interim Tier 4 (IT4) equivalent, EPA Final Tier 4 (FT4) compliant | |
| Displacement | 3.3 L (203 cu. in.) | |
| Gross Peak Power | 53 kW (72 hp) at 2,100 rpm | |
| Power Ratings | | |
| Net Peak Power (ISO 9249) | 52 kW (69 hp) at 2,100 rpm | |
| Net Peak Torque (ISO 9249) | 272 Nm (200 lb.-ft.) at 1,800 rpm | |
| Net Torque Rise | 29% | |
| Lubrication | Pressure system with spin-on filter and cooler | |
| Air Cleaner | Dual-stage dry type with safety element and evacuator valve | |
| Cooling | | |
| Fan Type | Viscous variable-rate (temperature controlled) cooling fan standard | |
| Engine Coolant Rating | -40 deg. C (-40 deg. F) | |
| Engine Oil Cooler | Oil to water | |
| Powertrain | | |
| Transmission | 4-speed, helical-cut gears, full PowerShift™ transmission with hydraulic reverser standard; electric clutch cutoff on loader lever | |
| Torque Converter | Single stage, dual phase with 2.63:1 stall ratio, 280 mm (11 in.) | |
| Maximum Travel Speeds With Standard PowerShift Transmission, Measured With 16.9L-24 Rear Tires | <i>Forward</i> | <i>Reverse</i> |
| Gear 1 | 5.2 km/h (3.2 mph) | 6.7 km/h (4.2 mph) |
| Gear 2 | 9.7 km/h (6.0 mph) | 12.2 km/h (7.6 mph) |
| Gear 3 | 19.9 km/h (12.4 mph) | — |
| Gear 4 | 36.2 km/h (22.5 mph) | — |
| Axles | | |
| Axle Oscillation, Stop to Stop, Front Axle | 22 deg. | |
| Axle Ratings | <i>Front</i> | <i>Rear</i> |
| SAE J43 | 5000 kg (11,000 lb.) | 6000 kg (13,200 lb.) |
| Dynamic | 9000 kg (19,800 lb.) | 10 000 kg (22,000 lb.) |
| Static | 23 500 kg (51,800 lb.) | 26 500 kg (58,400 lb.) |
| Ultimate | 37 000 kg (81,600 lb.) | 39 500 kg (87,100 lb.) |
| Differentials | | |
| Mechanical-Front-Wheel-Drive (MFWD) Axle | Open – standard; automatic, limited-slip traction control – custom or optional | |
| Rear Axle | Foot actuated, hydraulically engaged 100% mechanical lock | |
| Steering (ISO 5010) | Hydrostatic power steering and emergency steering | |
| Axle | <i>MFWD</i> | |
| Curb-Turning Radius | | |
| With Brakes | 3.46 m (11 ft. 4 in.) | |
| Without Brakes | 3.96 m (13 ft. 0 in.) | |
| Bucket-Clearance Circle | | |
| With Brakes | 9.87 m (32 ft. 5 in.) | |
| Without Brakes | 10.61 m (34 ft. 10 in.) | |
| Steering Wheel Turns (lock to lock) | 2.7 | |
| MFWD and Rear Axle | Heavy duty, outboard planetary final drives distribute shock loads over 3 gears | |
| Brakes (ISO 3450) | | |
| Service | Power assisted, hydraulic wet disc, mounted inboard, self-adjusting and self-equalizing | |
| Parking | Spring applied, hydraulically released, wet, multi-disc, independent of service brakes with electric switch control | |
| Hydraulics | | |
| Main Pump | Open-center system; axial-piston pump with electronic-displacement control | |
| Pump Flow | | |
| Hitch | 45 L/m (12.0 gpm) | |
| Loader | 93 L/m (24.5 gpm) | |
| System Relief Pressure | 22 063 kPa (3,200 psi) | |

210 G-TIER TRACTOR LOADER SPECIFICATIONS

210

G

While general information, pictures, and descriptions are provided, some illustrations and text may include product options and accessories NOT AVAILABLE in all regions, and in some countries products and accessories may require modifications or additions to ensure compliance with the local regulations of those countries.

| Hydraulics <i>(continued)</i> | | 210 G-TIER | |
|--|--|--------------------------|----------------------|
| Hitch Hydraulic Cycle Time | | | |
| Hitch Raise (full stroke) | 1.7 sec. | | |
| Hitch Lower (to ground level) | 1.2 sec. | | |
| Pitch Down | 1.8 sec. | | |
| Pitch Up | 2.1 sec. | | |
| Tilt Up | 1.6 sec. | | |
| Tilt Down | 1.2 sec. | | |
| Loader Hydraulic Cycle Time | | | |
| Boom Raise to Full Height | 4.7 sec. | | |
| Bucket Dump at Maximum Height | 2.4 sec. | | |
| Boom Lower (power down) | 2.4 sec. | | |
| Controls | | | |
| Hitch | 4-lever, single tilt cylinder; 5-lever dual tilt (includes auxiliary) optional | | |
| Loader | Single-lever loader/bucket control with electric clutch cutoff switch; separate-lever loader auxiliary function optional; single-lever loader/auxiliary with metered roller switch for auxiliary optional | | |
| Cylinders | | | |
| Heat-treated, chrome-plated, polished rods; hardened steel (replaceable bushings) pivot pins | | | |
| | <i>Bore</i> | <i>Rod Diameter</i> | <i>Stroke</i> |
| Loader Boom (2) | 80.0 mm (3.15 in.) | 50.0 mm (1.97 in.) | 790.0 mm (31.10 in.) |
| Loader Bucket (1) | 90.0 mm (3.54 in.) | 50.0 mm (1.97 in.) | 744.0 mm (29.29 in.) |
| Hitch Lift (1) | 80.0 mm (3.15 in.) | 50.0 mm (1.97 in.) | 254.0 mm (10.00 in.) |
| Hitch Pitch (1) | 63.5 mm (2.50 in.) | 31.8 mm (1.25 in.) | 196.9 mm (7.75 in.) |
| Hitch Tilt (1 or 2) | 76.2 mm (3.00 in.) | 50.8 mm (2.00 in.) | 120.7 mm (4.75 in.) |
| MFWD (1) | 65.0 mm (2.56 in.) | 40.0 mm (1.57 in.) | 216.2 mm (8.51 in.) |
| Electrical | | | |
| Voltage | 12 volt | | |
| Alternator Rating | 130 amp with canopy or cab | | |
| Lights | Canopy: 2 halogen front or 4 optional halogen (rear and front; 32,500 candlepower each); turn signals and flashers (2 front and 2 rear); stop- and taillights, 2 front amber reflectors, and 2 rear reflectors; 6 LED light option (2 front, 2 side, and 2 rear); Cab: 4 halogen (rear and front), turn signals and flashers (2 front and 2 rear); stop- and taillights, 2 front amber reflectors, and 2 rear reflectors | | |
| Operator Station | | | |
| Type (ISO 3471) | Standard canopy: solid-mounted ROPS/FOPS, left access, with 2-post ROPS and steel roof / optional cab: isolation-mounted ROPS/FOPS, left access, with molded roof and standard HVAC | | |
| Seat Rotation | <i>Standard</i> | <i>Optional</i> | |
| Left | 10 deg. | 20 deg. | |
| Right | 40 deg. | 50 deg. | |
| Tires/Wheels | | | |
| | <i>Front</i> | <i>Rear</i> | |
| With MFWD | 12X16.5 12 PR R4, XD2010 | 16.9-24 R4, 8-ply Galaxy | |
| Serviceability | | | |
| Refill Capacities | | | |
| Cooling System | | | |
| Cab | 19.3 L (20.4 qt.) | | |
| Canopy | 17.4 L (18.4 qt.) | | |
| Rear Axle | 18 L (19 qt.) | | |
| Engine Oil (including vertical spin-on filter) | 10.5 L (11.1 qt.) | | |
| Torque Converter and Transmission | 15.1 L (16 qt.) | | |
| Fuel Tank (with ground-level fueling) | 117.3 L (31 gal.) | | |
| Hydraulic System | 111.7 L (29.5 gal.) | | |
| Hydraulic Reservoir | 42.7 L (11.3 gal.) | | |
| MFWD Housing | | | |
| Axle | 6.5 L (6.9 qt.) | | |
| Planetary (each) | 0.9 L (1 qt.) | | |

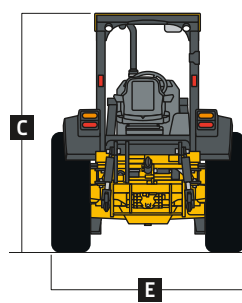
210 G-TIER

While general information, pictures, and descriptions are provided, some illustrations and text may include product options and accessories NOT AVAILABLE in all regions, and in some countries products and accessories may require modifications or additions to ensure compliance with the local regulations of those countries.

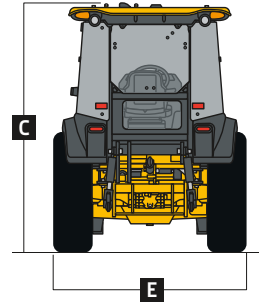
| Operating Weights | | 210 G-TIER |
|---|--|---------------------------------------|
| With Full Fuel Tank, 75-kg (165 lb.) Operator, Canopy, and Standard Equipment | | 5334 kg (11,760 lb.) |
| Typical With Canopy, 454-kg (1,000 lb.) Wheel Weights, and 2134-mm (84 in.) Box Blade | | 6468 kg (14,259 lb.) |
| Optional Components | | |
| Cab (weight difference between canopy and cab) | | 63 kg (139 lb.) |
| Box Blade | | |
| 2134 mm (84 in.) | | 680 kg (1,499 lb.) |
| 2235 mm (88 in.) | | 696 kg (1,534 lb.) |
| Wheel Weights | | 454 kg (1,000 lb.) |
| Hitch Weights | | 318 kg (700 lb.) / 680 kg (1,500 lb.) |
| Front Loader Coupler | | 125 kg (276 lb.) |

| Overall Dimensions | | |
|--------------------|---|-----------------------|
| A | Ground Clearance, Minimum | 262 mm (10.3 in.) |
| B | Overall Length, Transport (without box blade) | 5.31 m (17 ft. 5 in.) |
| C | Transport Height | |
| | Canopy | 2.62 m (8 ft. 7 in.) |
| | Cab | 2.64 m (8 ft. 8 in.) |
| D | Length From Axle to Axle (MFWD axle) | 2.19 m (7 ft. 2 in.) |
| E | Width Over Tires | 2.20 m (7 ft. 3 in.) |

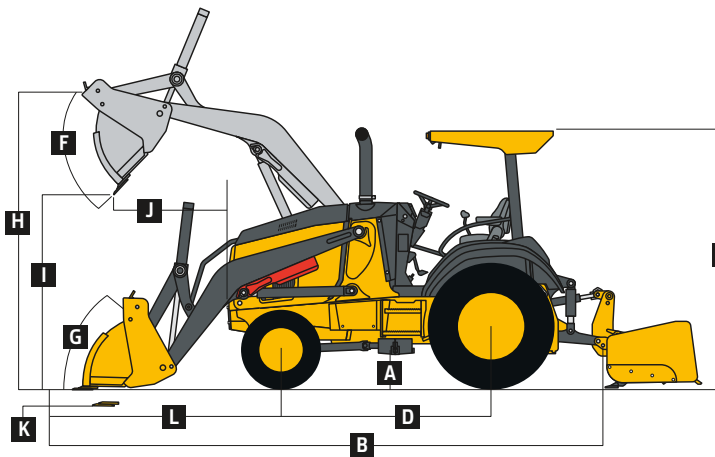
| 3-Point Hitch Dimensions and Performance | | |
|--|---|---------------------|
| | Hitch Downforce (excluding attachment weight) | 8 kN (1,790 lb.) |
| | Lift Capacity, Static at Lower Link | 3914 kg (8,629 lb.) |
| | Lower Hitch Point Height | |
| | Maximum | 780 mm (30.7 in.) |
| | Minimum | 213 mm (8.4 in.) |



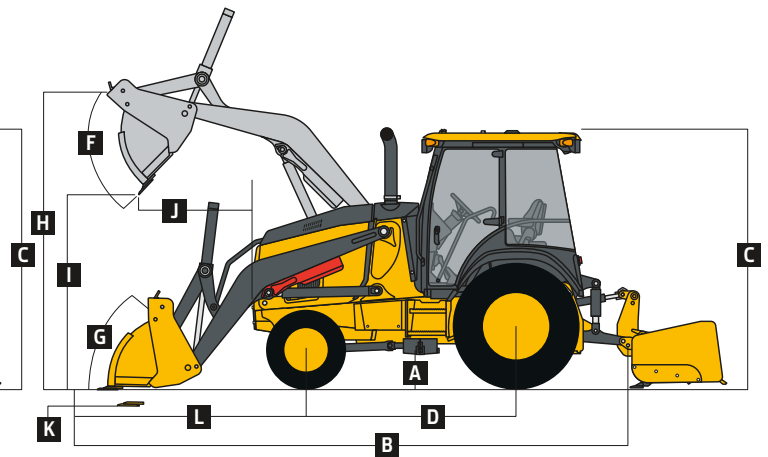
210 G-Tier With Canopy



210 G-Tier With Cab



210 G-Tier Tractor Loader With Canopy



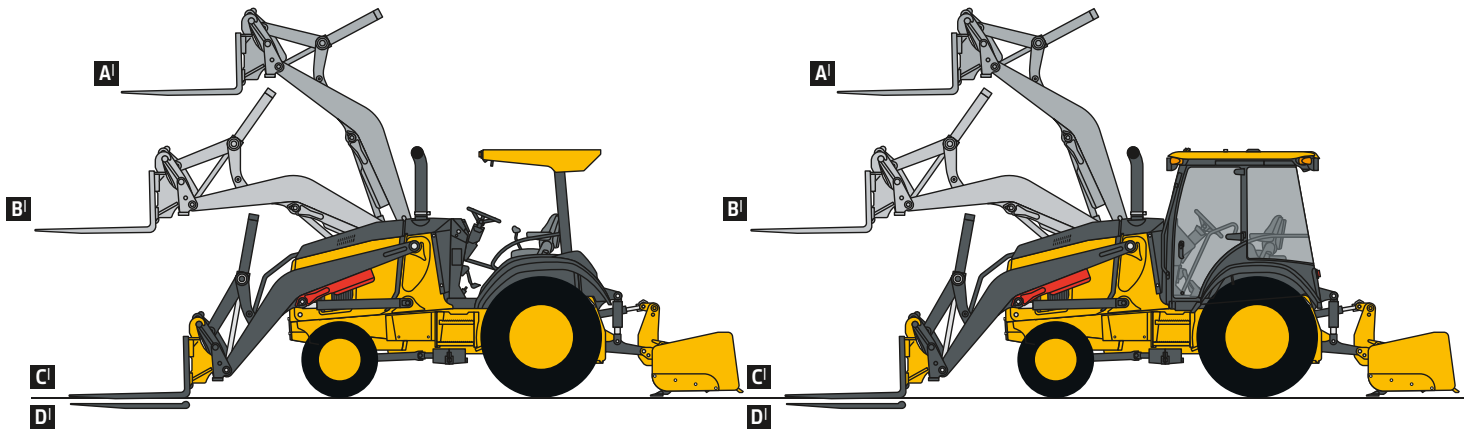
210 G-Tier Tractor Loader With Cab

While general information, pictures, and descriptions are provided, some illustrations and text may include product options and accessories NOT AVAILABLE in all regions, and in some countries products and accessories may require modifications or additions to ensure compliance with the local regulations of those countries.

210 G-TIER

| Loader Dimensions and Performance | | 210 G-TIER | | |
|-----------------------------------|---|------------------------------------|------------------------------------|------------------------------------|
| F | Bucket Dump Angle, Maximum | 45 deg. | | |
| G | Rollback Angle at Ground Level | 40 deg. | | |
| | Bucket | <i>Heavy-duty</i> | <i>Multipurpose</i> | <i>Heavy-duty coupler</i> |
| | Capacity | 0.86 m ³ (1.12 cu. yd.) | 0.96 m ³ (1.25 cu. yd.) | 1.00 m ³ (1.31 cu. yd.) |
| | Width | 2184 mm (86 in.) | 2184 mm (86 in.) | 2346 mm (92 in.) |
| | Weight | 390 kg (860 lb.) | 794 kg (1,750 lb.) | 480 kg (1,058 lb.) |
| | Breakout Force (with wheel weights and box blade) | 42.3 kN (9,521 lb.) | 36.7 kN (8,245 lb.) | 39.3 kN (8,824 lb.) |
| | Lift Capacity, Full Height (with wheel weights and box blade) | 2876 kg (6,340 lb.) | 2529 kg (5,575 lb.) | 2,641 kg (5,822 lb.) |
| H | Height to Bucket Hinge Pin, Maximum | 3.36 m (11 ft. 0 in.) | | |
| I | Dump Clearance, Bucket at 45 deg. | 2.66 m (8 ft. 9 in.) | | |
| J | Reach at Full Height, Bucket at 45 deg. | 765 mm (30.1 in.) | | |
| K | Digging Depth Below Ground, Bucket Level | 197 mm (7.8 in.) | | |
| L | Length From Front Axle Centerline to Bucket Cutting Edge | 2.04 m (6 ft. 8 in.) | | |

| Lift Capacity With Quick-Coupler Forks | | 1219-mm (48 in.) Tines | | 1524-mm (60 in.) Tines | |
|--|---------------------------|------------------------|--|------------------------|--|
| | Hydraulic Capacity | | | | |
| A | Maximum Height | 1664 kg (3,668 lb.) | | 1548 kg (3,413 lb.) | |
| B | Maximum Reach | 2667 kg (5,880 lb.) | | 2508 kg (5,529 lb.) | |
| C | At Ground Line | 3374 kg (7,438 lb.) | | 3184 kg (7,019 lb.) | |
| D | Below Ground Line | 312 mm (12.3 in.) | | 312 mm (12.3 in.) | |
| | Rated Capacity of Tines | 3900 kg (8,598 lb.) | | 3900 kg (8,598 lb.) | |
| | Rated Load per SAE J1197 | | | | |



210 G-Tier Tractor Loader With Canopy

210 G-Tier Tractor Loader With Cab

Additional equipment

Key: ● Standard ▲ Optional or special

See your John Deere dealer for further information.

210 G Engine

- Vertical spin-on engine oil filter
- Vertical spin-on fuel filter with water separator
- Coolant recovery tank
- Serpentine belt with automatic belt tensioner
- Oil-to-water engine oil cooler
- Antifreeze, -37 deg. C (-34 deg. F)
- Dual-element dry-type air cleaner
- Enclosed safety fan guard
- Fold-out, hinged cooling system
- Viscous variable-rate cooling fan
- High ambient temperature engine cooling
- Muffler, under hood with curved-end exhaust stack
- Glow plugs
- ▲ Electric engine coolant heater, 1,000 watts
- Electronic fuel lift pump

Powertrain

- PowerShift™ transmission: Torque converter with twist-grip Transmission Control Lever (TCL) and neutral safety switch interlock (1st through 4th gears)
- Transmission oil cooler
- Vertical spin-on transmission filter
- Differential lock, electric foot actuated
- Power-assisted hydraulic service brakes (conform to ISO 3450): Inboard, wet multi-disc, self-adjusting and self-equalizing

210 G Powertrain (continued)

- Parking/emergency brake with electric switch control (conforms to ISO 3450): Spring applied, hydraulically released wet multi-disc / Independent of service brakes
- Mechanical-front-wheel drive (MFWD), standard differential, sealed axle
- ▲ MFWD, limited slip, sealed axle
- ▲ Transmission guard
- ▲ MFWD driveshaft guard

Category II 3-Point Hitch

- Integral Category II
- 4th-function sectional hydraulic valve, 4th-function auxiliary with capped hoses
- ▲ 5th-function hitch valve with control lever, dual-tilt cylinder

Loader

- Hydraulic self-leveling
- Return-to-dig feature
- Bucket-level indicator
- Loader boom service lock
- ▲ Auxiliary loader hydraulics with single control lever with electrohydraulic auxiliary control (MFWD and clutch disconnect)
- Palm-on-top loader control; single-button clutch disconnect
- ▲ Palm-on-top loader control; 3-function fingertip control (clutch disconnect, MFWD, and proportional auxiliary roller)
- ▲ Ride control

210 G Hydraulic System

- 93-L/m (24.5 gpm) rated flow, loader pump
- 45-L/m (12.0 gpm) rated flow, hitch pump
- Independent hydraulic reservoir
- Independent hydraulic oil cooler
- "O"-ring face-seal connectors
- ▲ Grade-Control Ready
- ▲ Grade indication

Electrical

- 12-volt system
- 130-amp alternator (canopy or cab)
- Single battery with 175-min. reserve capacity and 950 CCA
- ▲ Dual batteries with 350-min. reserve capacity and 1,900 CCA
- Positive terminal battery cover
- Blade-type multi-fused circuits
- By-pass start safety cover on starter
- ▲ Battery disconnect

Lights

- For cab and canopy: Front driving/working halogen (2) / Turn signal/flashing lights (2) / Rear stop and taillights (2) / Rear reflectors (2)
- ▲ Deluxe electrical package for canopy: Front worklights (2), rear worklights (2), 12-volt outlets (2), and battery-disconnect switch
- ▲ Premium LED lighting package for canopy: Front worklights (2), rear worklights (2), side worklights (2), 12-volt outlets (2), and battery-disconnect switch

While general information, pictures, and descriptions are provided, some illustrations and text may include product options and accessories NOT AVAILABLE in all regions, and in some countries products and accessories may require modifications or additions to ensure compliance with the local regulations of those countries.

Net engine power is with standard equipment including air cleaner, exhaust system, alternator, and cooling fan at test conditions specified per ISO 9249. No derating is required up to 1500-m (5,000 ft.) altitude. Specifications and design subject to change without notice. Wherever applicable, specifications are in accordance with SAE and/or ISO standards. Except where otherwise noted, these specifications are based on a unit with 16.9-24 R4, 8-ply Galaxy rear tires, 12X16.5 12 PR R4, XD2010 front tires, 0.86-m³ (1.12 cu. yd.) loader bucket, full fuel tank, and 75-kg (165 lb.) operator.

Additional equipment *(continued)*

Key: ● Standard ▲ Optional or special

See your John Deere dealer for further information.

210 G Operator's Station

- **Canopy:** 2-post, ROPS/FOPS (Level 1 / meets ISO 3471/SAE J1040), steel roof
- ▲ **Cab:** ROPS/FOPS (Level 1 / meets ISO 3471/SAE J1040), air conditioning (7.6-kW [26,000 Btu/h] output and CFC-free R-134a refrigerant), headliner, dome light, tinted safety glass, deluxe interior trim, molded floor mats, left cab door, right emergency egress, front windshield wiper, front windshield washer, heater/defroster/pressurizer (11.7-kW [40,000 Btu/h] heater), 12-volt outlets (2), rear working lights (2), and 50-deg. (10 left, 40 right) rotating mechanical-suspension cloth seat
- Electric monitor system with audible and/or visual warning: Service code / Air cleaner restriction / Low alternator voltage / Engine coolant temperature / Engine oil pressure / Hydraulic filter restriction / Park brake on/off / Seat belt / Transmission oil temperature / Hour meter / Engine rpm / System voltage / Job timer / Machine information
- Engine coolant temperature gauge and fuel gauge
- Left front access
- Slip-resistant steps and ergonomically located handholds
- Built-in Operator's Manual storage compartment with manual

210 G Operator's Station *(continued)*

- Interior rearview mirror
 - Foot throttle
 - ▲ Hand throttle
 - Horn
 - Key start switch with electric fuel shutoff
 - Suspension vinyl seat, 50-deg. (10 left, 40 right) rotating with flip-up armrests, backrest angle adjustment, swivel base, and 76-mm (3 in.) retractable seat belt
 - ▲ Non-suspension vinyl seat, 50-deg. (10 left, 40 right) rotating with flip-up armrests and 76-mm (3 in.) retractable seat belt
 - ▲ Suspension cloth fabric seat, 50-deg. (10 left, 40 right) rotating with flip-up armrests, backrest angle adjustment, swivel base, and 76-mm (3 in.) retractable seat belt (for use with optional cab)
 - ▲ Enhanced mechanical suspension seat, 70-deg. (20 left, 50 right) rotating with flip-up armrests and tilt steering
- ### Loader Buckets
- Less bucket, with bucket pins
 - ▲ General-purpose bucket with cutting edge and skid plates
 - ▲ Heavy-duty bucket
 - ▲ Multipurpose bucket with cutting edge and skid plates
 - ▲ Loader coupler

210 G Box Blade

- ▲ 2134-mm (84 in.) heavy-duty with hydraulically actuated ripper bar and replaceable router bits
 - ▲ 2235-mm (88 in.) heavy-duty with hydraulically actuated ripper bar and replaceable router bits
- ### Overall Vehicle
- 1-piece unitized construction mainframe
 - Vehicle tie-downs (2 front and 2 rear)
 - Vandal protection for instrument panel, access doors, fuel tank, and hydraulic reservoir
 - Reverse warning alarm
 - ▲ Rear-hitch counterweight (318 kg [700 lb.] and 680 kg [1,500 lb.])
 - ▲ Wheel weights
 - ▲ Drawbar, fixed single position
 - ▲ Machine security
 - ▲ Tilt steering
 - ▲ French language kit
 - ▲ Spanish language kit
 - ▲ JDLink™ wireless communication system (available in specific countries; see your dealer for details)

While general information, pictures, and descriptions are provided, some illustrations and text may include product options and accessories NOT AVAILABLE in all regions, and in some countries products and accessories may require modifications or additions to ensure compliance with the local regulations of those countries.

Net engine power is with standard equipment including air cleaner, exhaust system, alternator, and cooling fan at test conditions specified per ISO 9249. No derating is required up to 1500-m (5,000 ft.) altitude. Specifications and design subject to change without notice. Wherever applicable, specifications are in accordance with SAE and/or ISO standards. Except where otherwise noted, these specifications are based on a unit with 16.9-24 R4, 8-ply Galaxy rear tires, 12X16.5 12 PR R4, XD2010 front tires, 0.86-m³ (1.12 cu. yd.) loader bucket, full fuel tank, and 75-kg (165 lb.) operator.



ML210GAU (23-03)



JOHN DEERE