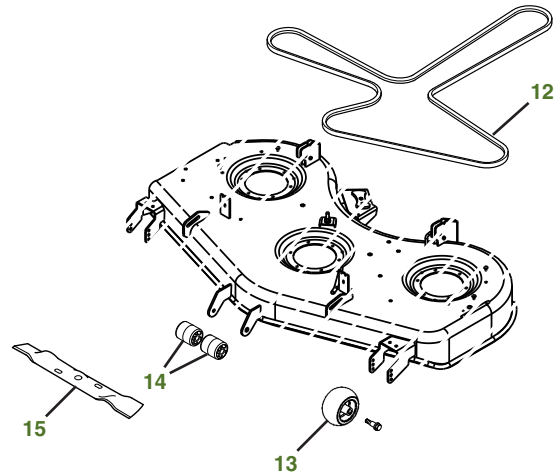
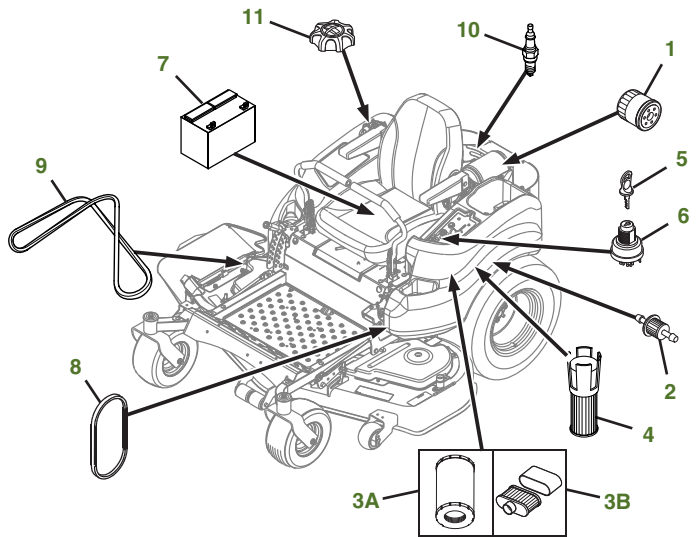


# MAINTENANCE REMINDER SHEET

## Z655 with 54" High Capacity Deck



Tractor S/N

Deck S/N

Key	Part No.	Description	Key	Part No.	Description
1	<a href="#">AM125424</a>	ENGINE OIL FILTER	9	<a href="#">M147044</a>	BELT-POWER FLOW
2	<a href="#">AM116304</a>	FUEL FILTER-IN-LINE	10	<a href="#">MIU11020</a>	SPARK PLUG (S/N -150000)
3A	<a href="#">MIU13120</a>	AIR FILTER (S/N -150000)		<a href="#">M805853</a>	SPARK PLUG (S/N 150001-)
3B	<a href="#">MIU12554</a>	AIR FILTER-FOAM (S/N 150001-)	11	<a href="#">AM141161</a>	FUEL CAP
	<a href="#">MIU12555</a>	AIR FILTER-PAPER (S/N 150001-)	12	<a href="#">TCU19609</a>	BELT-MOWER
4	<a href="#">AM141585</a>	INTEGRATED HYDRAULIC FILTER	13	<a href="#">TCU18744</a>	GAGE WHEEL
5	<a href="#">AUC12681</a>	KEY	14	<a href="#">M113955</a>	FRONT ROLLER
6	<a href="#">TCA22740</a>	IGNITION SWITCH	15	<a href="#">TCU30316</a>	BLADE-COMM 54" (S/N -150000)
7	<a href="#">TY25221</a>	BATTERY		<a href="#">M164016</a>	BLADE-HC 54" (S/N 150001-)
8	<a href="#">M160956</a>	BELT-TRAC DRIVE (S/N -130000)		<a href="#">M135334</a>	BLADE-MULCHING 54"
	<a href="#">M169705</a>	BELT-TRAC DRIVE (S/N 130001-)		<a href="#">BM26300</a>	KIT- MULCHCONTROL™

### Parts Needed in First 250 Hours of Operation

Qty	Part No	Item	Qty or Capacity	Change Interval In Hours
2	<a href="#">TY22076</a>	Engine Oil Turf-Gard™ 10W30	2.1 L (2.2 qt)	8/50/100/150/200/250
6	<a href="#">AM125424</a>	Engine Oil Filter	1	8/50/100/150/200/250
2	<a href="#">MIU13120</a> or <a href="#">MIU12554</a> and <a href="#">MIU12555</a>	Air Filter (S/N -150000) Air Filter-Foam (S/N 150001-) Air Filter-Paper (S/N 150001-)	1	100/200
2	<a href="#">AM116304</a>	Fuel Filter	1	100/200
4	<a href="#">MIU11020</a> or <a href="#">M805853</a>	Spark Plug (S/N -150000) Spark Plug (S/N 150001-)	2	100/200
2	<a href="#">TY24416</a>	John Deere Multi-Purpose HD Lithium Complex Grease		As Needed

### "As Needed" Parts

Qty	Part No	Item
1	<a href="#">AM130907</a>	Mower Deck Leveling Gauge
1	<a href="#">TY26518</a>	Grease Gun

### Home Maintenance Kit

Unit	Kit Number
Z655	<a href="#">LG269</a> (S/N 100001-140000) <a href="#">LG265</a> (S/N 140001-)

CLICK PART NUMBER TO BUY