

REPLACEMENT PARTS GUIDE

6068HB330 PowerTech PTE 6.8 L Liebherr OEM Engine (T3/SIIIA)



PRIMARY FUEL FILTER

[RE541922](#) (8168)



FINAL FUEL FILTER

[RE522878](#) (35DZ)

500 Hours of Operation or Every 12 Months.



ALTERNATOR

[RE558676](#) (24V, 100A) (3133)



STARTER

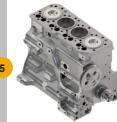
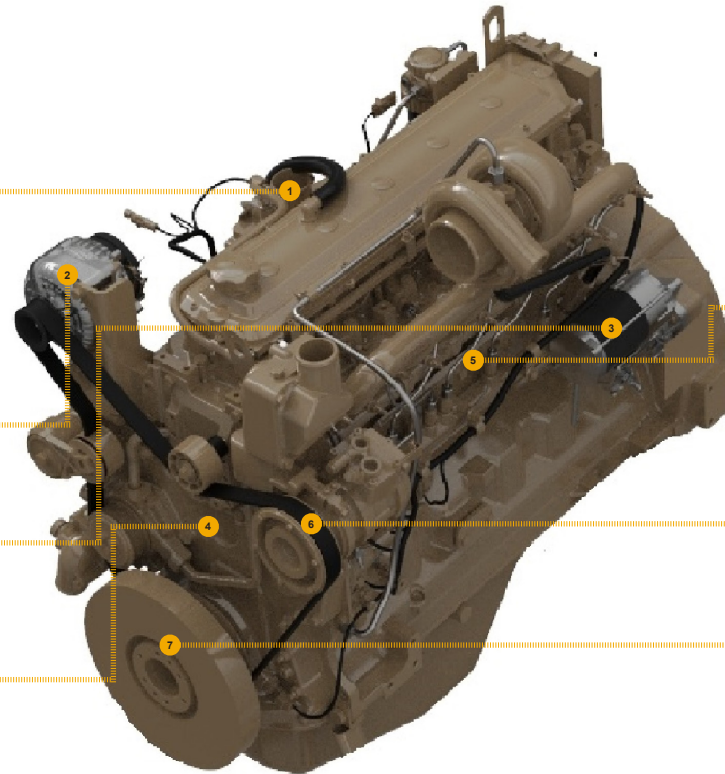
[RE501150](#) (24V, DENSO) (3041)



OIL FILTER

[RE504836](#) (8843)

500 Hours of Operation or Every 12 Months.



SHORT BLOCK ASSEMBLY

[RE528638](#)

(Also order engine gasket kit, dipstick tube, oil pump, cylinder head bolt kit, crank wheel (if applicable), (1) R121043 valve, (1) R111137 spring, and parts from the short block hardware kits as needed.)



FAN BELT

[DZ121131](#) (LGTH = 1990 mm) (24NH)



CRANKSHAFT PULLEY

[RE541578](#) (OD = 325 mm) (1343)



JOHN DEERE
Genuine Parts and Service

REMAN PARTS GUIDE

6068HB330 PowerTech PTE 6.8 L Liebherr OEM Engine (T3/SIIIA)



ALTERNATOR

[SE502563](#) (REMAN FOR [RE558676](#))
(24V, 100A) (3133)



AC COMPRESSOR

[SE503064](#) (REMAN FOR [AT172975](#))
(24V) (7424)



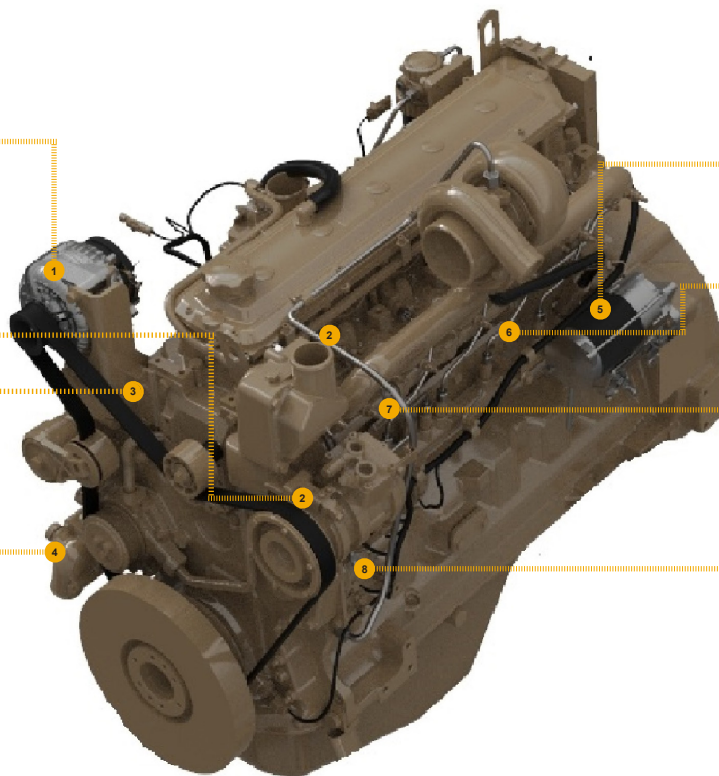
FUEL INJECTION PUMP

[SE501915](#) (REMAN FOR [RE507959](#))
(16CD)



WATER PUMP

[SE501227](#) (REMAN FOR [RE546918](#))
(S350PT) (4445)
[SE502816](#) (REMAN FOR [RE546918](#))
(S350 IT4) (4445)



STARTER

[SE501406](#) (REMAN FOR [RE501150](#))
(24V, DENSO) (3041)



CONTROLLER

[SE502800](#) (REMAN FOR [RE531808](#))
(LEVEL 14) (16CD)



CONNECTING RODS

[SE501094](#) (REMAN FOR [RE500608](#))
(S350PT) (4868)



OIL PUMP

[SE501813](#) (REMAN FOR [DZ100021](#)) (5024)



JOHN DEERE
Genuine Parts and Service