



# REPLACEMENT PART GUIDE

## 3029HP530 PowerTech EWX 2.9L GSPU OEM Engine(FT4/Stage V)



### FINAL FUEL FILTER

[R536698](#) (35D8)

500 hrs of operation or every 12 months.



### OIL FILTER

[RE519626](#) (5985)

500 hrs of operation or every 12 months.



### SHORT BLOCK ASSEMBLY

[DZ110689](#) (MARKED R537785)

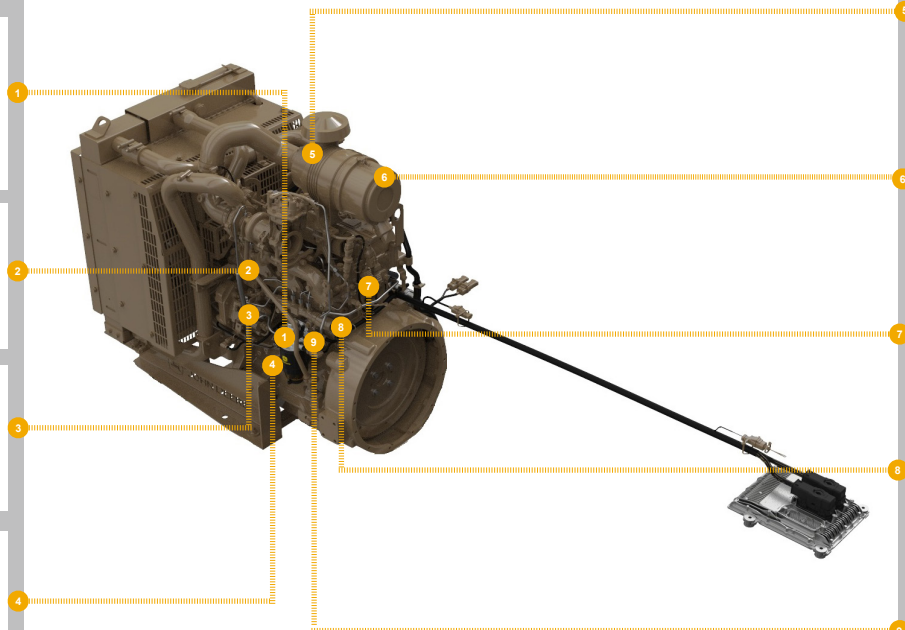


### FAN BELT

[R505792](#) (LGTH = 1375 mm) (24BR)

[DZ122487](#) (LGTH = 1405 mm) (24NG)

[DZ122485](#) (LGTH = 1385 mm) (24NJ)



### ALTERNATOR

[RE509106](#) (12V, 65A) (31AX)

[RE544045](#) (28V, 50A) (31AY)

[DZ122603](#) (70A) (31BA)



### STARTER

[RE519568](#) (12V, 3.2KW) (3085)

[RE546868](#) (12V, 3.2KW, RH) (30BA)

[RE552251](#) (24V, 3.5KW) (30CA)

[RE552252](#) (24V) (30CB)



### CRANKSHAFT PULLEY

[DZ108451](#) (OD = 171.5 mm) (1350)



### FAN PULLEY

[R110081](#) (OD = 154 mm) (2378)

[R281960](#) (OD = 133 mm) (2364)

[R501059](#) (OD = 139 mm) (2377)



### OCV FILTER

[RE553871](#) (29FS)



**JOHN DEERE**

Genuine Parts and Service



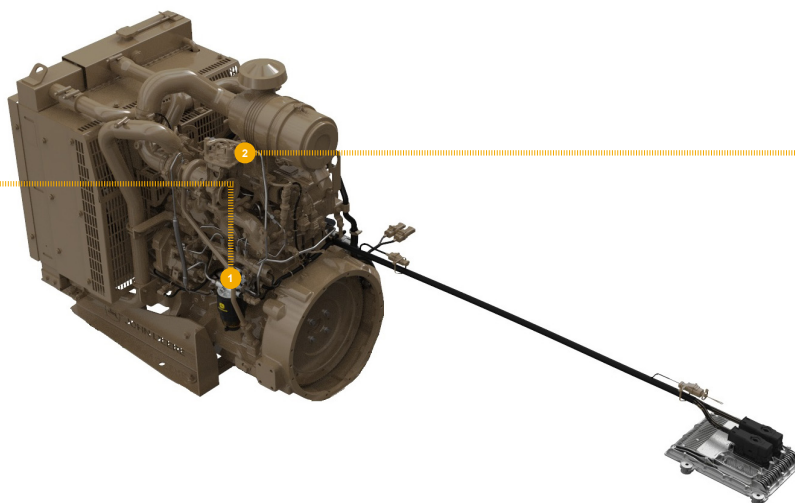
# REMAN PARTS GUIDE

## 3029HP530 PowerTech EWX 2.9L GSPU OEM Engine(FT4/Stage V)



### STARTER

[SE501869](#) (REMAN FOR [RE519568](#))  
(12V, 3.2KW) (3085)



### ALTERNATOR

[SE501835](#) (REMAN FOR [RE509106](#))  
(14V, 65A) (3132)



**JOHN DEERE**  
Genuine Parts and Service