

# REPLACEMENT PART GUIDE

## PowerTech 9.0L 6090AFM75 (6090 Tier 2) Marine Engine



### ALTERNATOR

[RE500226](#) (12 V, 140 A) (3124)  
[RE551448](#) (14 V, 150 A) (3159)  
[RE551447](#) (28 V, 100 A) (3160)  
[RE65414](#) (24 V, 60 A) (3161)



### FAN BELT

[DZ118761](#) (LGTH= 1296 mm) (2445)  
(2446) (2452) (24AM)



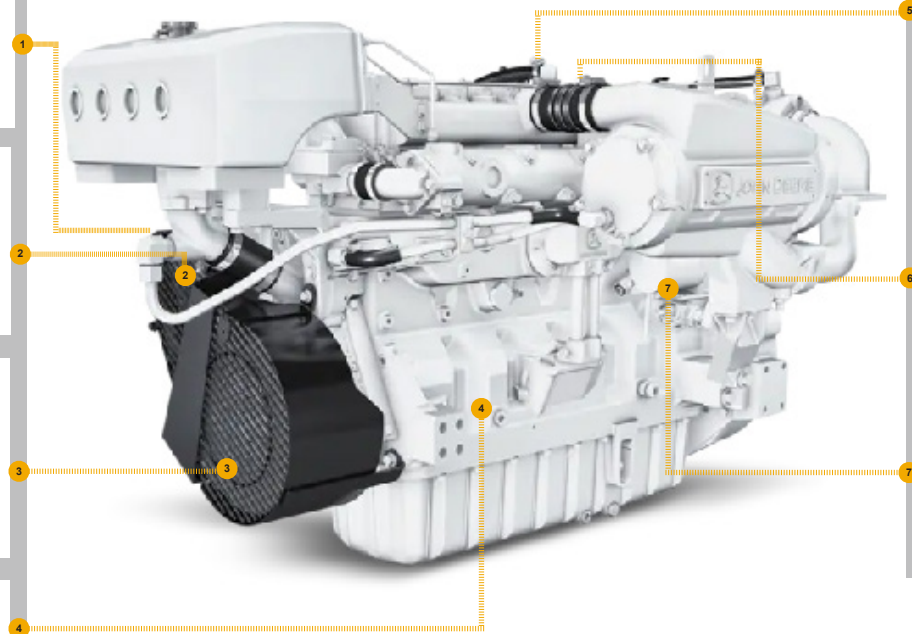
### CRANKSHAFT PULLEY & DAMPER

[RE537960](#) (OD = 342 mm) (1350)  
[DZ119883](#) (OD = 350 mm) (1359)



### SHORT BLOCK ASSEMBLY

[DZ10789](#)



### OIL FILTER

[RE509672](#) (5937)  
[DZ118156](#) (5938)

500 Hours of operation or every 12 months



### FUEL FILTER

[RE527961](#) (3514) (3515) (3516) (3517)  
500 Hours of operation or every 12 months



### STARTER MOTOR

[RE529661](#) (12 V) (3001)  
[RE506103](#) (24 V) (3005)  
[RE556999](#) (12 V, 5.5 KW) (3014)  
[RE564633](#) (24 V) (3015)



**JOHN DEERE**  
Genuine Parts and Service

# REMAN PARTS GUIDE

## PowerTech 9.0L 6090AFM75 (6090 Tier 2) Marine Engine



### ALTERNATOR

[SE501839](#) (REMAN FOR [RE500226](#))  
(12V, 140A) (3124)  
[SE501842](#) (REMAN FOR [RE65414](#))  
(34V, 60A) (3161)



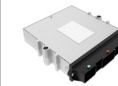
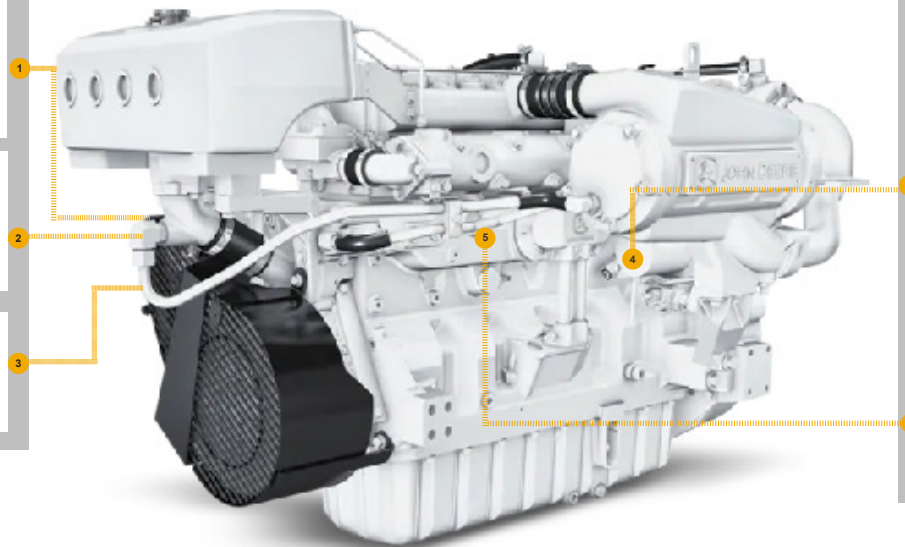
### WATER PUMP

[SE501228](#) (REMAN FOR [RE530194](#)) (2001)  
[SE501922](#) (REMAN FOR [RE571640](#)) (1601)



### FUEL INJECTION PUMP

[SE501922](#) (REMAN FOR [RE571640](#))  
(1601)



### CONTROLLER

[SE502800](#) (REMAN FOR [RE531808](#))  
(8424) (8427)



### STARTER

[SE501866](#) (REMAN FOR [RE506103](#))  
(24V) (3005)  
[SE501867](#) (REMAN FOR [RE529661](#))  
(12V) (3001)  
[SE502733](#) (REMAN FOR [RE564633](#))  
(24V) (3015)



### FUEL INJECTION NOZZLE

[SE501947](#) (REMAN FOR [DZ100221](#))  
(1601)



**JOHN DEERE**  
Genuine Parts and Service