

REPLACEMENT PART GUIDE

Power Units for Genset 4045HFU82 Stage III A Engine



PRIMARY FUEL FILTER

[RE541922](#) (8170)

500 Hrs of operation Or Every 12 months



SECONDARY FUEL FILTER

[RE522878](#), [AT526918](#) (35ED)

500 Hrs of operation Or Every 12 months



ALTERNATOR

[RE533516](#) (12 V, 75 A) (3138)

[RE537146](#) (28 V, 50 A; ISKRA) (3142)



STARTER

[RE70961](#) (DENSO, 24V) (3001)

[DZ129200](#) (12 V, 2.5 KW) (3005)

[DZ110083](#) (24 V, 4 KW) (3067) (3068)

[RE546868](#) (12V, 3.2 KW) (3062) (30BA)

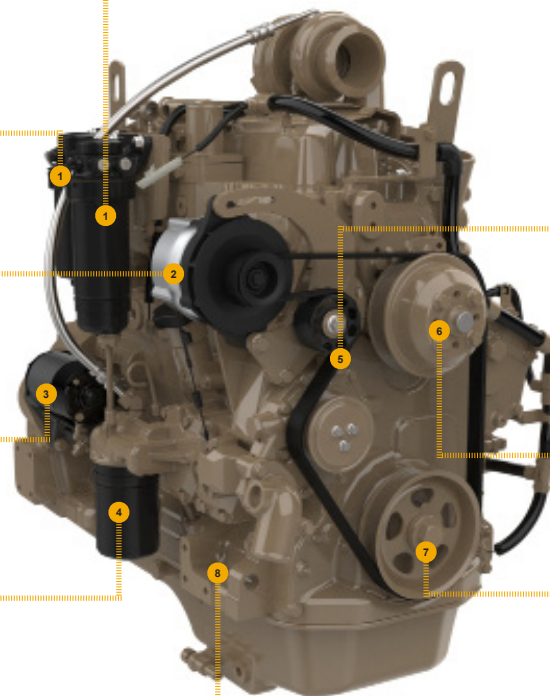
[RE552251](#) (3.5 KW, 24 V) (30CA)



OIL FILTER

[RE504836](#) (8843)

500 Hrs Of Operation Or Every 12 Months



FAN BELT

[DZ115455](#) (LGTH = 1550 mm) (2407) (24MJ)

[DZ118763](#) (LGTH = 1490 mm) (240A)

[DZ119059](#) (LGTH = 1515 mm) (240B)

[DZ119060](#) (LGTH = 1555 mm) (2404)

[DZ119061](#) (LGTH = 1540 mm) (2414)

[DZ119063](#) (LGTH = 1560 mm) (24VM)

[DZ119715](#) (LGTH = 1625 mm) (24DR)

[R500277](#) (LGTH = 1500 mm) (24HM)

[T428822](#) (LGTH = 1615 mm) (24MD) (2431)

[T428863](#) (LGTH = 1620 mm) (24LZ)



FAN PULLEY

[R128658](#) (OD = 140 mm) (8604)

[R128659](#) (OD= 159 mm) (OD= 154 mm) (8652) (8657)

[R128661](#) (OD = 183.5 mm) (8653)



CRANKSHAFT PULLEY AND DAMPER

[R505567](#) (OD = 173 mm) (1328)



SHORT BLOCK ASSEMBLY

[RE536402](#) PISTON MARKED RE527039

[RE551696](#) PISTON MARKED RE545770








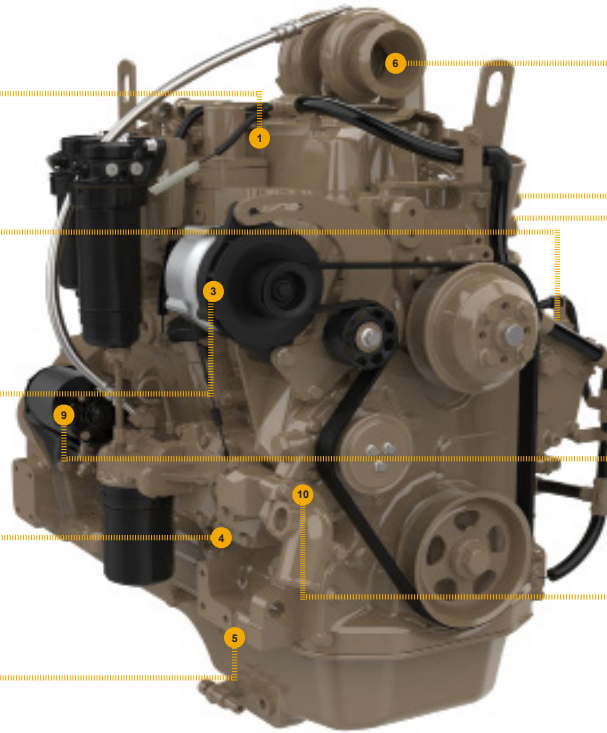
JOHN DEERE
Genuine Parts and Service



REMAN PARTS GUIDE

Power Units for Genset 4045HFU82 Stage III A Engine



	CYLINDER HEAD SE501809 (REMAN FOR RE532328) (5130)
	FUEL INJECTION PUMP SE501915 (REMAN FOR RE507959) (16AW) (162H) (162J) (16A5)
	ALTERNATOR RM100225 (REMAN FOR RE537146) (28 V, 50 A) (3142) SE501341 (REMAN FOR DZ114957) (24 V, 45 A) (3142) SE501387 (REMAN FOR DZ114956) (12 V, 65 A) (3138) SE502626 (REMAN FOR RE533516) (12 V, 95 A) (3138)
	CONNECTING ROD SE501094 (REMAN FOR RE500608) (4859) (4847)
	OIL PUMP SE501814 (REMAN FOR DZ100057) (5001)



	TURBOCHARGER SE502218 (REMAN FOR RE548726) (65ZG)
	NOZZLE SE501925 (REMAN FOR DZ100212) (16A5) (162H)
	CONTROLLER SE502802 (REMAN FOR RE526588) (16A5) (16AW)
	STARTER SE501401 (REMAN FOR RE540301) (12 V, 2.5 KW) (3005) SE501407 (REMAN FOR RE70961) (24V) (3001)
	WATER PUMP SE501609 (REMAN FOR RE546906) (4446)

