

# REPLACEMENT PART GUIDE

## PowerTech™ PSS 4.5L 4045HFG09 OEM (FT4 Engine)



### PRIMARY FUEL FILTER

[DZ115391](#) (35HR) (35HS) (35HT) (35HU) (35HV)

500 Hours of Operation or Every 12 Months.



### SECONDARY FUEL FILTER

[DZ115390](#) (35HR) (35HS) (35HT) (35HU) (35HV)

500 Hours of Operation or Every 12 Months.

### STARTER

[RE549229](#) (DENSO 12V PA90L) (30AT)

[RE70756](#) (STARTING MOTOR KIT) (30AT)

[RE549230](#) (DENSO 24V PA90L) (30AU)

[RE523502](#) (STARTER ISKRA 12V) (3084)

[DZ110083](#) (ISKRA, 24V, 4KW) (3096)

[RE523501](#) (STARTER MOTOR KIT, KIT, STARTER ISK) (3073)

[DZ110081](#) (ISKRA, 12V, 3.4K) (3075)

[RE549296](#) (STARTER 24V - 4.0KW) (3075)

[RE507670](#) (STARTER MOTOR KIT) (3075)

[DZ110082](#) (ISKRA, 24V, 4KW) (3092)

[RE551645](#) (12V, 4.8KW) (30AX)

[RE551644](#) (24V, 7.8KW) (30AY)

[RE546860](#) (12V, RH2, DENSO) (30BQ)

[RE546861](#) (12V, RH3(PS90S)) (30BR)

[RE546862](#) (12V, LH3(PS90S)) (30BR)

[RE551637](#) (12V, LH3(PS90S)) (30BR)

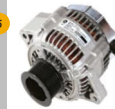
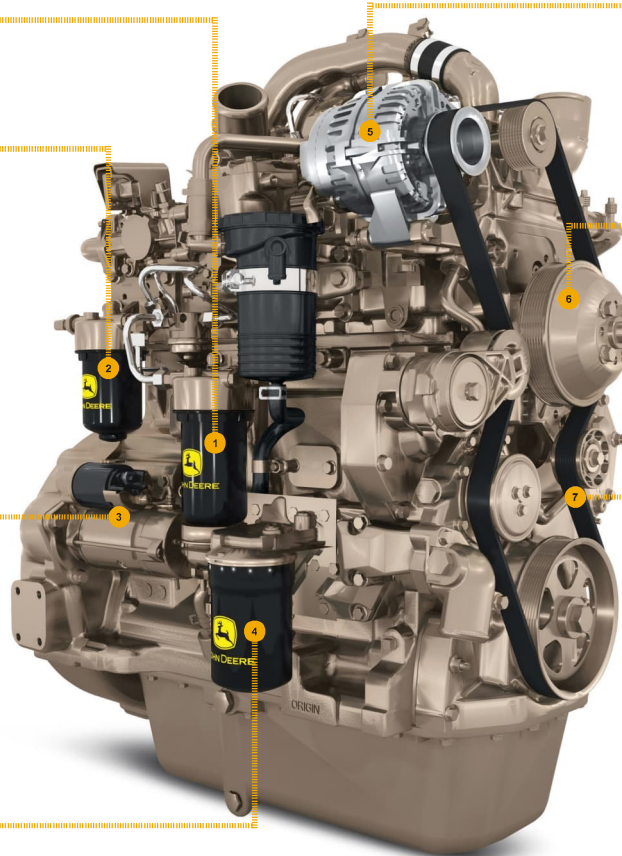
[RE551636](#) (12V, RH3(PS90S)) (30BY)



### OIL FILTER

[RE504836](#) (8842) (8843) (88A7)

500 Hours of operation Or Every 12 months.



### ALTERNATOR

[DZ123153](#) (31AP)

[RE537508](#) (12V, 120A) (31AQ)

[RE554472](#) (12V, 200A) (31AR)

[RE558675](#) (31AS)

[RE558676](#) (24V, 100A) (31AT)



### FAN PULLEY

[R128662](#) (OD=203 MM) (8668)

[R128660](#) (OD=168 MM) (8667)

[R113480](#) (OD=172 MM) (8699)

[R128661](#) (OD=154 MM) (8672)

[R128659](#) (OD=235 MM) (8671)

### FAN BELT

V-BELT, BELT, POLY-RIB

[DZ118654](#) (LGTH=1700 MM) (249A)

[DZ119385](#) (LGTH=1600 MM) (24LA)

[DZ118650](#) (LGTH=1720 MM) (24LA)

[DZ118649](#) (LGTH=1670 MM) (24LC)

[DZ118650](#) (LGTH=1680 MM) (24LE)

[DZ118563](#) (LGTH=1715 MM) (24LG)

[R533596](#) (LGTH=1700 MM) (24LJ)

[DZ118562](#) (LGTH=1690 MM) (24LF)

[DZ118648](#) (LGTH=1745 MM) (249LD)

[DZ118606](#) (LGTH=1720 MM) (24LH)

[DZ118559](#) (LGTH=1715 MM) (249B)

[DZ118265](#) (LGTH=1765 MM) (24LB)

[DZ118564](#) (LGTH=1700 MM) (24LK)

[DZ118265](#) (LGTH=1700 MM) (24LL)

[R533590](#) (LGTH=1700 MM) (24LL)

[DZ118558](#) (LGTH=1700 MM) (24KQ)

[DZ118648](#) (LGTH=1700 MM) (24KR) (24KS)

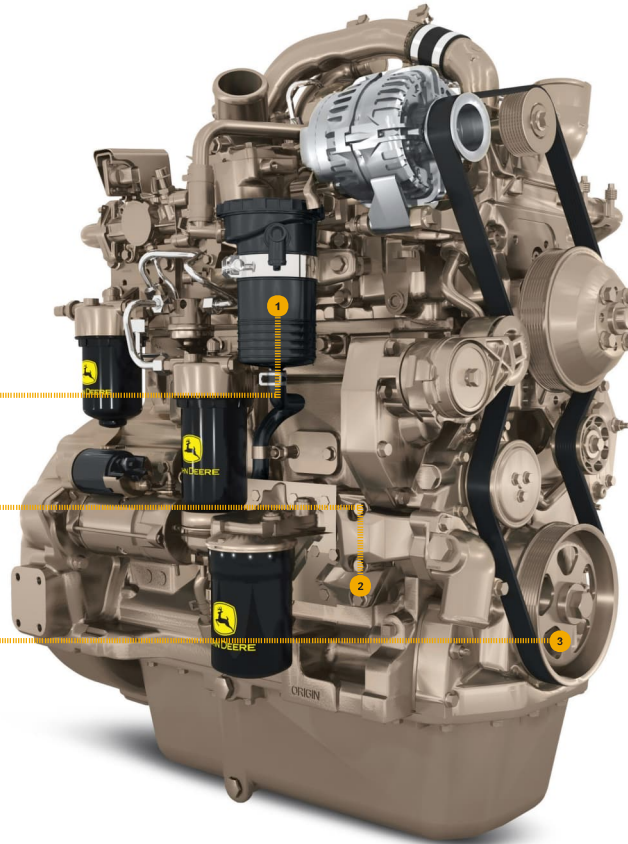
[DZ118560](#) (LGTH=1720 MM) (24KS)



**JOHN DEERE**  
Genuine Parts and Service

# REPLACEMENT PART GUIDE

## PowerTech™ PSS 4.5L 4045HFG09 OEM (FT4 Engine)



### CRANKCASE VENT SYSTEM

[DZ105796](#) (2989)

1500 Hours of Operation



### SHORT BLOCK ASSEMBLY

[DZ110078](#)



### CRANKSHAFT PULLEY AND DAMPER

[R503880](#) (OD=189 MM) (1327)

[R545125](#) (OD=189 MM) (1334)

### TANK HEADER SUCTION SCREEN

[DZ111166](#) (3402) (3404) (3408) (3409) (974G) (3412) (3417) (3415) (974J) (3405) (3413) (3414) (3407) (3403) (3406) (974C) (3418) (3411) (3401) (3416) (3410)

[DZ110562](#) (USE WITH [DZ113378](#)) (974G) (USE WITH [DZ110563](#)) (974J)

[DZ111004](#) (3419) (3421) (3424) (3432) (3434) (3436) (3425) (3435) (3430) (3428) (3420) (3433) (3422) (3429) (3423) (3431) (3427) (3426)

1500 Hours of Operation or Every 36 months



### DIESEL EXHAUST FLUID TANK INLET SCREEN

[DZ114695](#) (974G) (3412) (3417) (3415) (974J) (3432) (3434) (3436) (974Q) (3448) (3413) (3449) (3414) (3435) (3447) (3430) (3451) (974L) (3433) (3454) (974C) (3450) (3452) (3418) (3411) (3429) (3431) (3416) (3453)

As Required.



### DIESEL EXHAUST FLUID INLINE FILTER

[DZ100304](#) (3401) (3402) (3404) (3405) (3406) (3407) (3408) (3409) (3410)(3411) (3412) (3413) (3414) (3415) (3416) (3417) (3418)

8000 Hours of Operation or Every 36 months.



### DOSING UNIT PUMP FILTER

[DZ114640](#) (3315) (3316) (3317) (3318) (3349) (3350) (3351) (3352) (3353) (3354) (3369)

4500 Hours of Operation or Every 36 months



**JOHN DEERE**  
Genuine Parts and Service



# REMAN PARTS GUIDE

## PowerTech™ PSS 4.5L 4045HFG09 OEM (FT4 Engine)

### STARTER

- [SE501851](#) (REMAN FOR [DZ110081](#)) (12V, 3.4KW) (3075)
- [SE502286](#) (REMAN FOR [DZ110082](#)) (24V, 4KW) (3092)
- [SE501851](#) (REMAN FOR [RE507670](#)) (12V) (3075)
- [SE502286](#) (REMAN FOR [DZ110082](#)) (24V, 4KW) (3092)
- [SE502631](#) (REMAN FOR [RE523501](#)) (12V, 4.2KW) (3073)
- [SE502632](#) (REMAN FOR [RE523502](#)) (12V, 4.2KW) (3084)
- [SE502558](#) (REMAN FOR [RE549229](#)) (12V) (30AT)
- [SE502823](#) (REMAN FOR [RE549230](#) OR [RE539695](#)) (24V) (30AU)
- [SE502736](#) (REMAN FOR [RE551644](#)) (24V) (30AY)



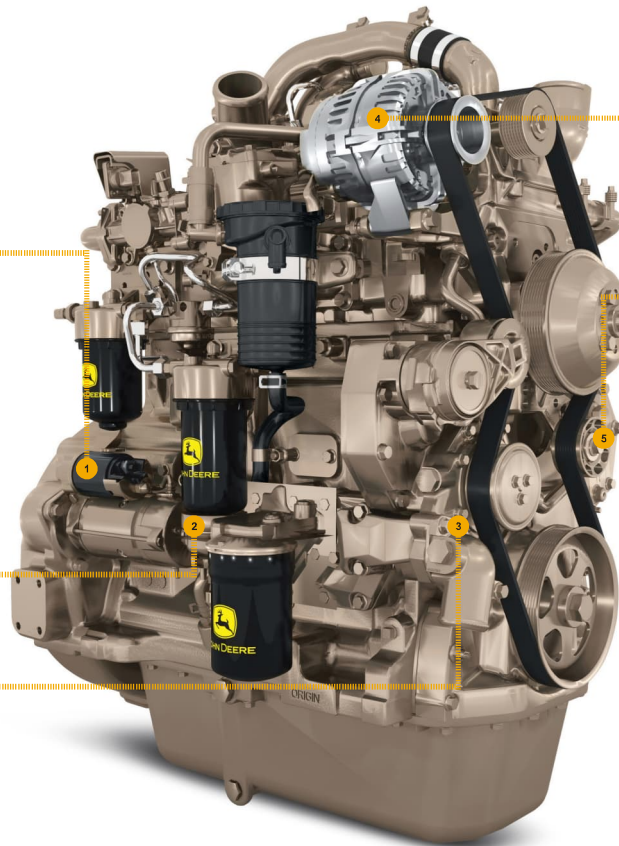
### CONNECTING ROD

- [SE501094](#) (REMAN FOR [RE500608](#)) (4868)



### WATER PUMP

- [SE502816](#) (REMAN FOR [RE546918](#)) (4445)
- [SE501227](#) (REMAN FOR [RE546918](#)) (4445)



### ALTERNATOR

- [SE502561](#) (REMAN FOR [RE537508](#)) (12V, 120A) (31AQ)
- [SE502688](#) (REMAN FOR [RE554472](#)) (12V, 200A) (31AR)
- [SE502563](#) (REMAN FOR [RE558676](#)) (24V, 100A) (31AT)



### FUEL INJECTION PUMP

- [SE502769](#) (REMAN FOR [RE543423](#)) (16JU)



**JOHN DEERE**  
Genuine Parts and Service