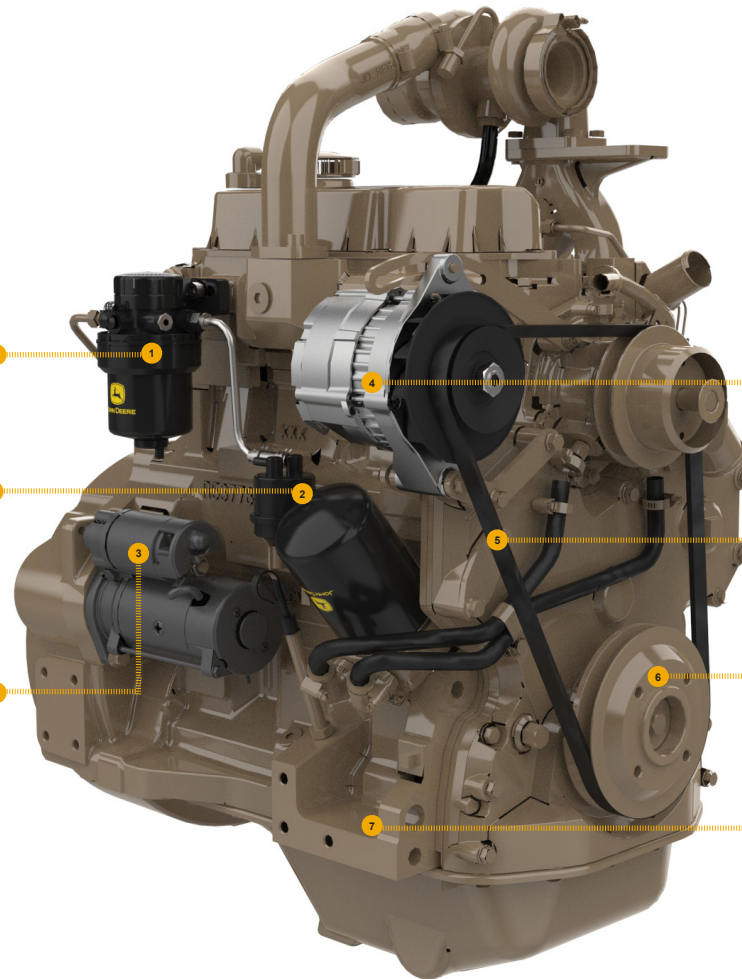


REPLACEMENT PART GUIDE

PowerTech 2.9L 3029TF129 Non-Certified OEM Engine



FUEL FILTER

[RE60021](#) (35C6)

500 hrs of operation or every 12 months



OIL FILTER

[RE519626](#) (5926)

500 hrs of operation or every 12 months



STARTER MOTOR

[DZ110083](#) (24 V, 4 KW) (3067)

[DZ110081](#) (12 V, 3.4 KW) (3075)

[RE523502](#) (12 V) (3084)

[RE519568](#) (12 V; 3.2 KW) (3085)

[DZ110082](#) (24 V, 4 KW) (30BL)

[RE552252](#) (24V) (30CB)

[RE546868](#) (12V, 3.2 KW) (30BA)



ALTERNATOR

[RE544045](#) (28 V; 50 A) (3131)

[RE509106](#) (14 V, 65 A) (3132)



FAN BELT

[T23526](#) (LGTH = 1257 MM) (2401)

[T24473](#) (LGTH = 1295 MM) (2402)



CRANKSHAFT PULLEY AND DAMPER

[DZ108524](#) (OD = 171 mm) (1346)

[R534716](#) (OD = 140 mm) (1348)



SHORT BLOCK ASSEMBLY

[DZ102006](#)

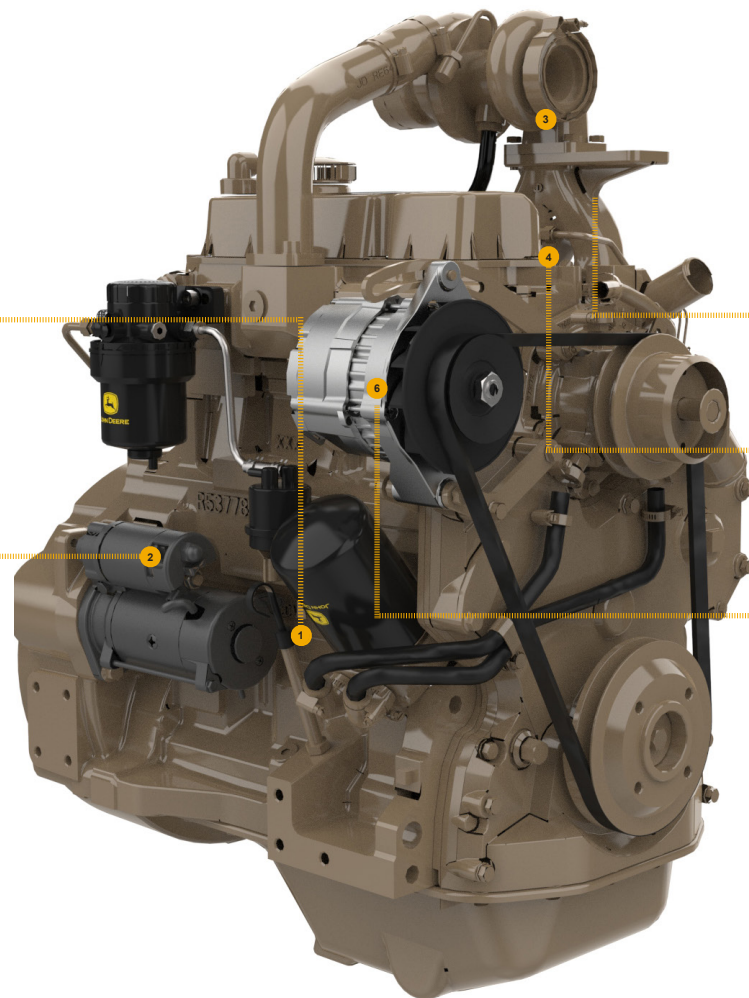


JOHN DEERE
Genuine Parts and Service



REMAN PARTS GUIDE

PowerTech 2.9L 3029TF129 Non-Certified OEM Engine



CONNECTING ROD

[SE501571](#) (REMAN FOR [DZ104739](#)) (4813)

STARTER

[SE501851](#) (REMAN FOR [DZ110081](#))

(12 V, 3.4 KW) (3075)

[SE502286](#) (REMAN FOR [DZ110082](#))

(24 V, 4 KW) (30BL)

[SE501851](#) (REMAN FOR [RE507670](#))

(12 V) (3075)

[SE501869](#) (REMAN FOR [RE519568](#))

(12 V, 3.2 KW) (3085)

[SE502632](#) (REMAN FOR [RE523502](#))

(12 V) (3084)



TURBOCHARGER

[SE501634](#) (REMAN FOR [RE70036](#)) (65V1)



NOZZLE

[SE501101](#) (REMAN FOR [RE48786](#))

(16QS) (16SR) (16RP) (16SQ) (16QX)

(16QT)



ALTERNATOR

[SE501835](#) (REMAN FOR [RE509106](#))

(12 V, 65 A) (3132)



JOHN DEERE

Genuine Parts and Service