

REPLACEMENT PART GUIDE

PowerTech 2.9L 3029TF120 OEM Engine



ALTERNATOR



[AL207585](#) (12V, 55A) (3126)
[RE509106](#) (12V, 55A) (14V, 65A) (3106)
(3113) (3123) (3143)
[RE544045](#) (28V, 50A) (3119) (3121) (3122)

FAN PULLEY



[R110081](#) (OD = 154 MM) (2308)
[R76979](#) (OD = 143 MM) (2311)
[R87148](#) (OD = 172 MM) (2313)

STARTER MOTOR



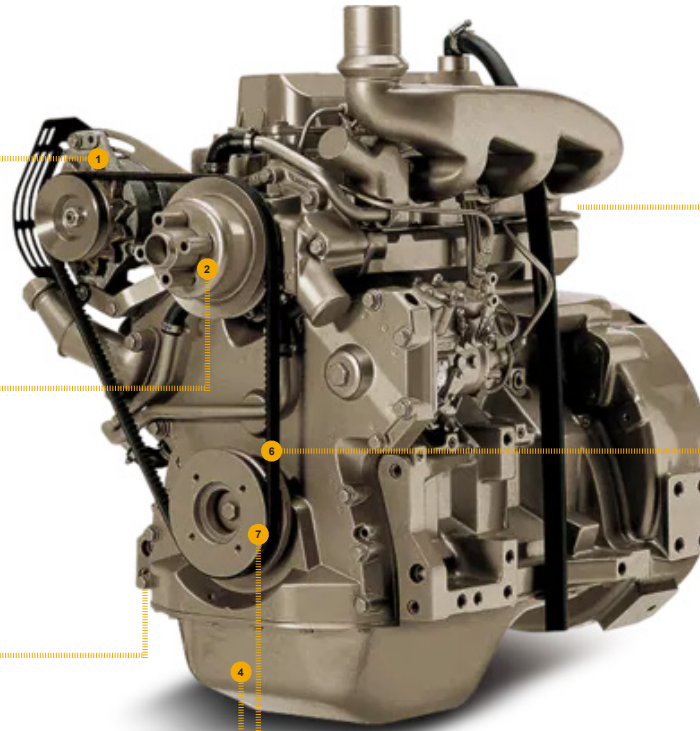
[DZ110081](#) (3008) (3010) (12 V, 3.4 KW)
[DZ110082](#) (3014) (3025) (3094) (24 V, 4 KW)
[RE501693](#) (3007) (12 V, 2.5 KW)
[RE501713](#) (3039) (12 V, 2.6 KW)
[RE516157](#) (3081) (12 V)
[RE519568](#) (3083) (12 V, 2.8 KW)
[RE523502](#) (3016) (3065) (3091) (12 V, 3 KW)
[RE528929](#) (3026) (3066) (24 V, 4 KW)
[RE540300](#) (3001)
[DZ129200](#) (3070)
[RE546868](#) (3071) (12 V, 3.2 KW)
[RE62916](#) (3006) (12 V)

OIL FILTER



[T19044](#) (5904) (5906)
[DZ118286](#) (5920)
[RE519626](#) (5939)

500 hrs of operation or every 12 months.



FUEL FILTERS



[RE60021](#) (3561) (3575)
500 Hours of Operation or Every 12 Months.

FAN BELT



[R73784](#) (LGTH = 1340 MM) (2410)
[R73785](#) (LGTH = 1465 MM) (2404)
[R97939](#) (LGTH = 1320 MM) (2408)
[RE55793](#) (LGTH = 1295 MM) (2411)
[T20334](#) (LGTH = 1219 MM) (2413)
[T23526](#) (LGTH = 1257 MM) (2401) (24OY)
[T24473](#) (LGTH = 1295 MM) (2402) (24AB)
(24OZ)

CRANKSHAFT PULLEY AND DAMPER



[R501223](#) (OD = 174 MM) (1308)
[R133067](#) (OD = 146 MM) (1309)
[R501222](#) (OD = 140 MM) (1312)
[R113425](#) (OD = 175 MM) (1313)
[R110450](#) (OD = 175 MM) (1316)
[RE59031](#) (OD = 191 MM) (1320)
[R117011](#) (OD = 140 MM) (1330)

SHORT BLOCK ASSEMBLY



[RE535720](#)

REMAN PART GUIDE

PowerTech 2.9L 3029TF120 OEM Engine



ALTERNATOR



[SE501346](#) (REMAN FOR [AL81436](#) OR [AL207585](#)) (14V, 55A) (1326)
[SE501828](#) (REMAN FOR [RE506197](#) OR [RE509106](#)) (12V, 55A) (3106) (3112) (3113) (3123)
[SE501835](#) (REMAN FOR [RE509106](#)) (14V, 65A) (3143)
[SE501372](#) (REMAN FOR [TY6686](#)) (12V, 78A) (3115)

STARTER

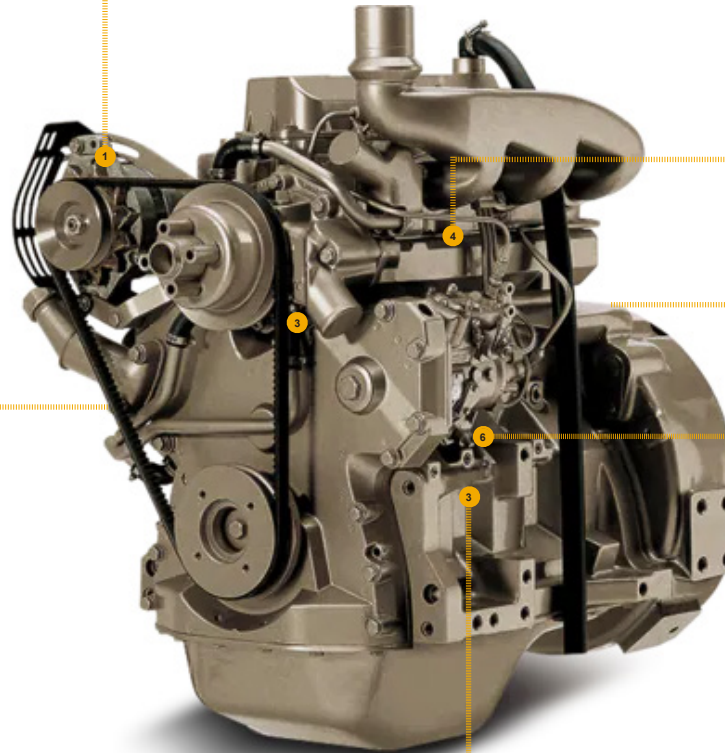


[SE501400](#) (REMAN FOR [RE62916](#)) (12V, 2.5KW) (3006)
[SE501401](#) (REMAN FOR [RE540301](#)) (3070)
[SE501402](#) (REMAN FOR [RE540300](#)) (3001)
[SE501427](#) (REMAN FOR [DZ110081](#)) (12V, 3.4KW) (3008)
[SE501851](#) (REMAN FOR [DZ110081](#)) (12V, 3.4KW) (3008)
[SE501852](#) (REMAN FOR [RE516157](#)) (12V, 2.8KW) (3081)
[SE501865](#) (REMAN FOR [RE501693](#)) (12V, 2.5KW) (3007)
[SE501869](#) (REMAN FOR [RE519568](#)) (3083)
[SE502286](#) (REMAN FOR [DZ110082](#)) (24V, 4KW) (3025)
[DZ110082](#) (REMAN FOR [RE523502](#)) (12V) (3016) (3065) (3091)

CONNECTING ROD



[SE501572](#) (REMAN FOR [RE501675](#)) (4808) (4814)
[SE501571](#) (REMAN FOR [RE501674](#) OR [DZ104739](#)) (4813)
[SE501573](#) (REMAN FOR [RE501675](#)) (4808) (4814)



NOZZLE

[SE501101](#) (REMAN FOR [RE48786](#)) (1699B)



TURBOCHARGER

[SE501634](#) (REMAN FOR [RE70036](#)) (6547)



COMPLETE BLOCK ASSEMBLY

[SE501488](#)
[SE501484](#)

*Includes cylinder head with vales and rocker arm assembly, oil pump assembly complete gasket kit with front and rear seals.



JOHN DEERE
Genuine Parts and Service

*THIS PART IS NOT AVAILABLE IN ALL COUNTRIES - COMPLETE BLOCK ASSEMBLY.