



REPLACEMENT PART GUIDE

6125AT801 PowerTech 12.5L Engine

SHORT BLOCK ASSEMBLY

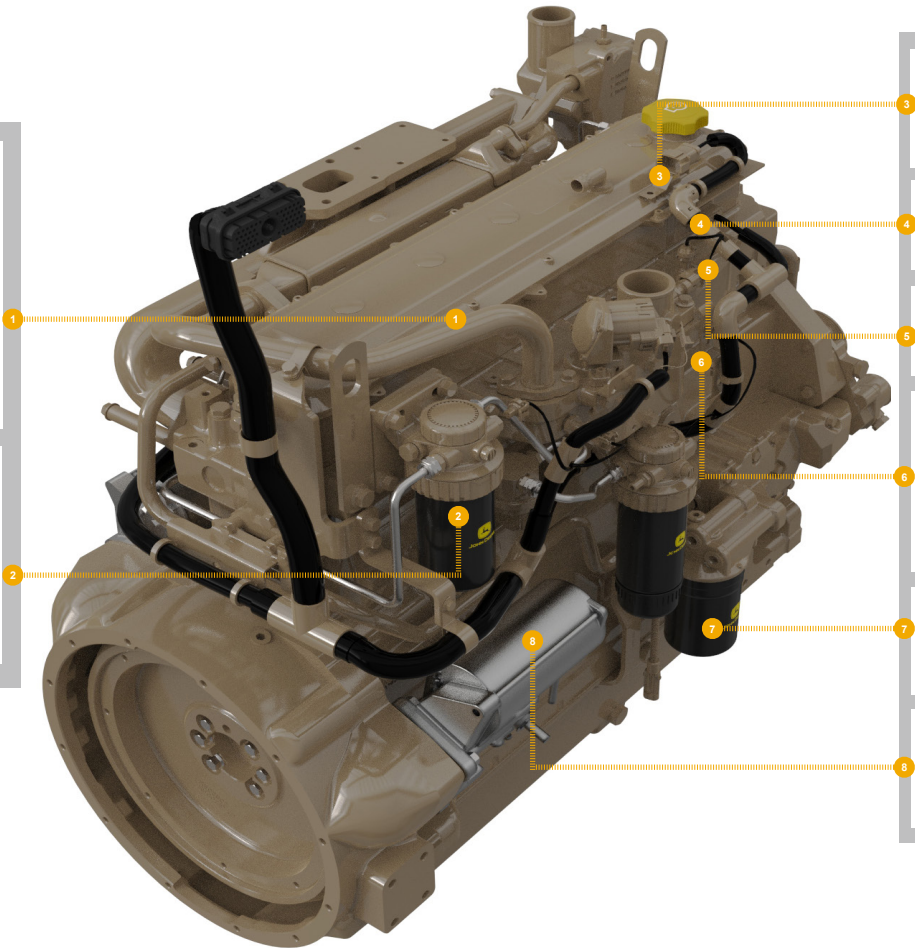
[RE536211](#) (MARKED R524714) (4601)
(PISTON MARKED [RE524326](#), SUB FOR [RE528946](#), AND [RE520810](#))



FUEL FILTER

[RE502203](#) (PRIMARY) (3501)
[RE507284](#) (SECONDARY) (3501)

500 hrs of operation or every 12 months.



FAN BELT

[T429109](#) (LGTH = 1660 mm) (2411)
[DZ119640](#) (LGTH = 1780 mm) (2411)



ALTERNATOR

[RE500226](#) (12 V, 140 A) (3101)



FAN PULLEY

[R128972](#) (OD = 224 mm) (2312)



CRANKSHAFT PULLEY WITH DAMPER

[RE523266](#) (OD = 355 mm) (1301)

DAMPER

[RE530733](#) (OD = 355 mm) (6802, 6810)



OIL FILTER

[DZ118269](#) (5901)

500 hrs of operation or every 12 months.



STARTER

[RE515843](#) (12 V) (3004, 3008)





REMAN PARTS GUIDE

6125AT801 PowerTech 12.5L Engine

ENGINE CONTROLLER



[SE502922](#) (REMAN FOR [RE507981](#)) (24 V)
(9614, 9619, 9621, 9624)

[SE502813](#) (REMAN FOR [RE507982](#)) (12 V)
(9617)

[SE502812](#) (REMAN FOR [RE507980](#)) (12 V)
(9620, 9622)

CONNECTING ROD



[SE502394](#) (REMAN FOR [RE535965](#)) (4801)

ELECTRIC UNIT INJECTOR



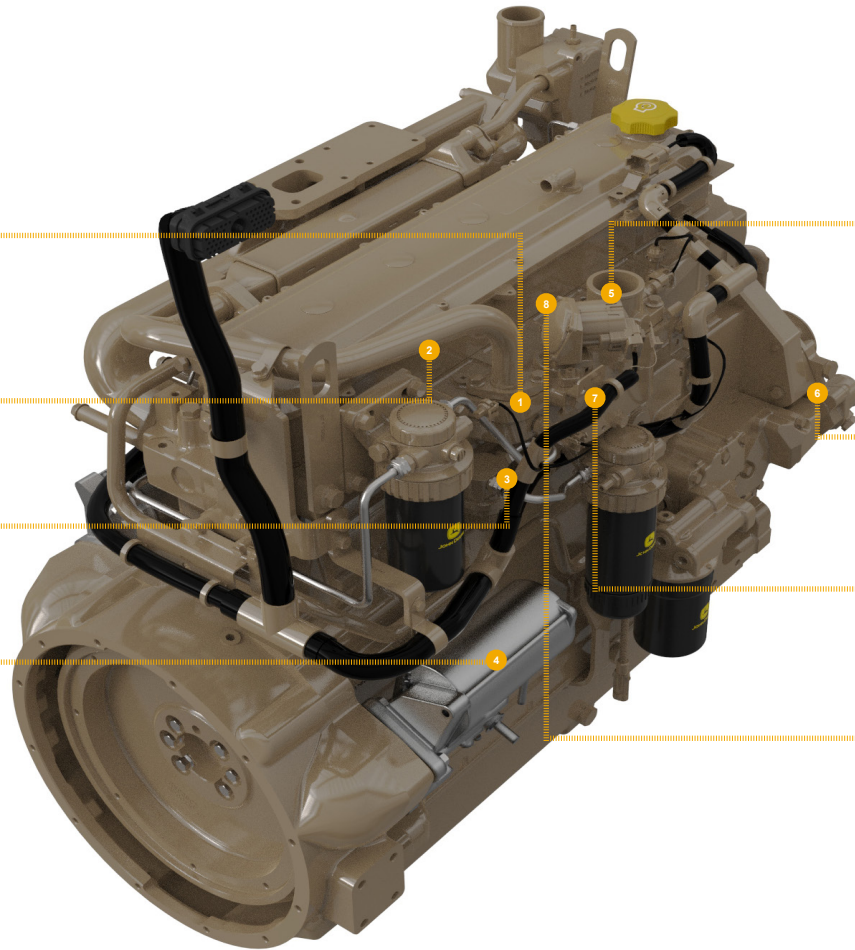
[SE501953](#) (REMAN FOR [RG33958](#)) (1621)

[SE501955](#) (REMAN FOR [RG33957](#)) (1621)

STARTER MOTOR



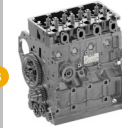
[SE501862](#) (REMAN FOR [RE515843](#))
(12 V) (3004, 3008)



COMPLETE BLOCK ASSEMBLY

[SE502570](#) (010637) (9901)

May not be as illustrated. Includes cylinder head with valves and rocker arm assembly, oil pump assembly, complete gasket kit with front and rear seals.



[SE502572](#) (010638) (9901)

May not be as illustrated. Includes cylinder head with valves and rocker arm assembly, oil pump assembly, complete gasket kit with front and rear seals.

WATER PUMP



[SE501592](#) (REMAN FOR [RE503603](#) OR
[RE530870](#)) (2001)

AC COMPRESSOR



[SE503065](#) (REMAN FOR [AH169875](#))
(12 V, 10 PA) (7402)

[SE503059](#) (REMAN FOR [RE55422](#))
(12 V, 10 PA) (7402)

CYLINDER HEAD



[SE500709](#) (REMAN FOR [RE69912](#)) (5102)



JOHN DEERE
Genuine Parts and Service