

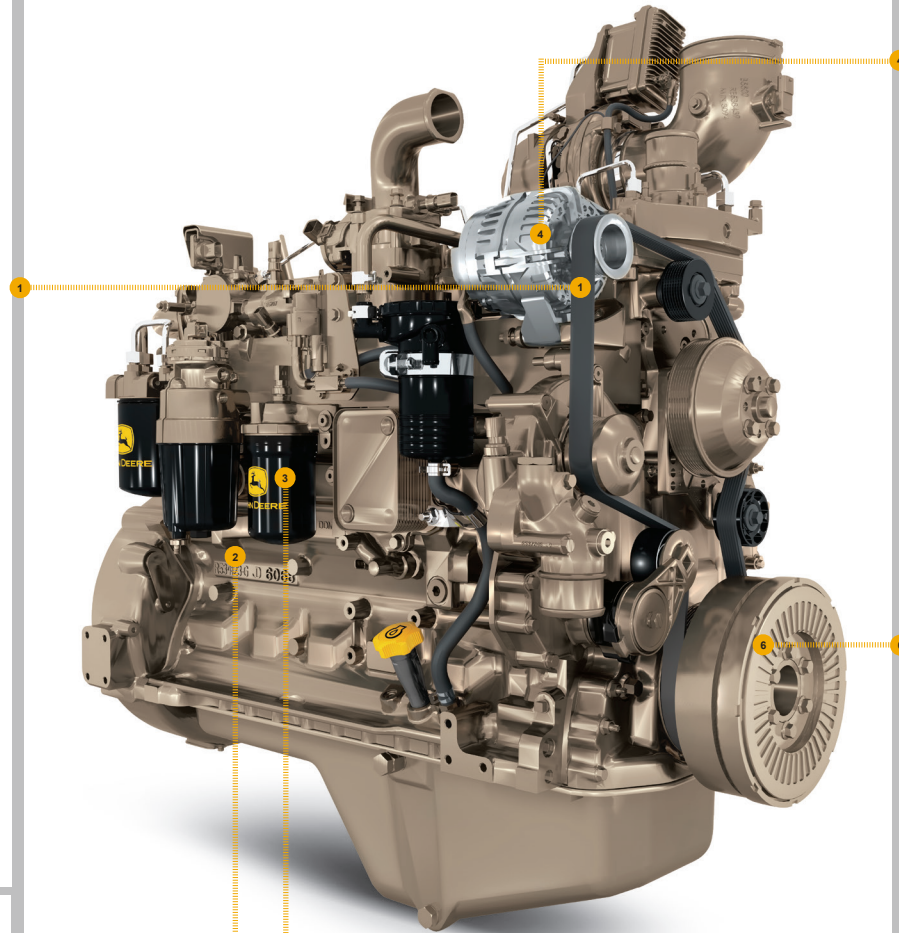
REPLACEMENT PART GUIDE

6090HF485 PowerTech Plus OEM Engine (Tier 3)



FAN BELT

- [DZ118827](#) (LGTH = 1762 MM) (2404)
- [DZ123507](#) (LGTH = 1730 MM) (2408)
- [DZ118830](#) (LGTH = 1800 MM) (2409)
- [DZ118832](#) (LGTH = 1825 MM) (2410)
- [R135603](#) (LGTH = 1920 MM) (2411)
- [R135594](#) (LGTH = 1770 MM) (2412)
- [T428696](#) (LGTH = 1790 MM) (2413)
- [DZ119048](#) (LGTH = 2605 MM) (2414)
- [DZ119047](#) (LGTH = 2620 MM) (2415)
- [T428848](#) (LGTH = 2520 MM) (2416)
- [DZ119051](#) (LGTH = 2530 MM) (2417)
- [R135615](#) (LGTH = 2545 MM) (2418)
- [DZ119052](#) (LGTH = 2560 MM) (2419)
- [R501526](#) (LGTH= 2633 MM) (2420)
- [DZ119644](#) (LGTH = 2550 MM) (2421)
- [DZ119050](#) (LGTH = 2645 MM) (2422)
- [DZ118833](#) (LGTH = 1845 MM) (2424)
- [DZ118834](#) (LGTH = 1870 MM) (2425)
- [R135664](#) (LGTH = 2590 MM) (2426)
- [DZ119714](#) (LGTH = 2575 MM) (2427)
- [DZ119645](#) (LGTH = 2633 MM) (2429)
- [R500093](#) (LGTH = 1852 MM) (2431)
- [R500092](#) (LGTH = 2672 MM) (2432)
- [DZ118853](#) (LGTH = 1926 MM) (2433)
- [T429109](#) (LGTH = 1660 MM) (2435)
- [DZ115812](#) (LGTH = 1680 MM) (2436)
- [DZ118781](#) (LGTH = 1700 MM) (2437)
- [DZ118801](#) (LGTH = 1720 MM) (2438)
- [DZ118828](#) (LGTH = 738.5 MM) (2439)



ALTERNATOR

- [RE500226](#) (12V, 140A) (3101)
- [DZ114956](#) (14V, 120A) (3104)
- [AH137883](#) (12V, 95A) (3105)
- [AT173624](#) (12V, 65A) (3107)
- [RE500713](#) (14V, 200A) (3108)
- [RE65414](#) (24V, 60 A) (3109)
- [DZ114957](#) (28V, 55A) (3113)
- [RE500227](#) (12V, 90A) (3120)
- [AXE17691](#) (200A) (3121)
- [AT387574](#) (100A) (3122)
- [AXE28087](#) (12V, 185A) (3151)
- [RE558676](#) (24V) (3169)



CRANKSHAFT PULLEY

- [R520182](#) (OD = 217.5 MM) (1302)
- [R518277](#) (OD = 184 MM) (1303)
- [R520183](#) (OD = 163 MM) (1304, 1345)
- [R522825](#) (OD = 152 MM) (1315, 1317)
- [DZ119884](#) (OD = 220 MM) (1319)
- [R524144](#) (OD = 167.3 MM) (1320)
- [R520184](#) (OD = 217.5 MM) (1348)



DAMPER

- [RE57604](#) (OD = 217.7 MM)
(1302, 1303, 1318, 1341, 1346, 1348)
- [RE520465](#) (OD = 279.4 MM)
(1302, 1303, 1341, 1348)
- [RE523524](#) (OD = 279.4 MM) (1304, 1315)
- [RE523526](#) (OD = 279.4 MM) (1306, 1316)
- [RE523525](#) (OD = 279.4 MM) (1306)
- [RE529616](#) (OD = 279.4 MM) (1316)
- [RE523527](#) (OD = 279.4 MM) (1317, 1345)
- [RE529615](#) (OD = 279.4 MM) (1318)
- [DZ119883](#) (OD = 350 MM) (1319)
- [RE530331](#) (OD = 350 MM) (1320)
- [RE522932](#) (OD = 279.4 MM) (1346)
- [DZ101686](#) (OD = 279.1 MM) (1362)

STARTER MOTOR

- [RE529661](#) (12V) (3001)
- [RE506103](#) (24V) (3005)



OIL FILTER

- [DZ118283](#) (5912, 5917, 5918, 5934)

Replace 500 Hours of Operation or Every 12 Months.



JOHN DEERE
Genuine Parts and Service

REPLACEMENT PARTS GUIDE

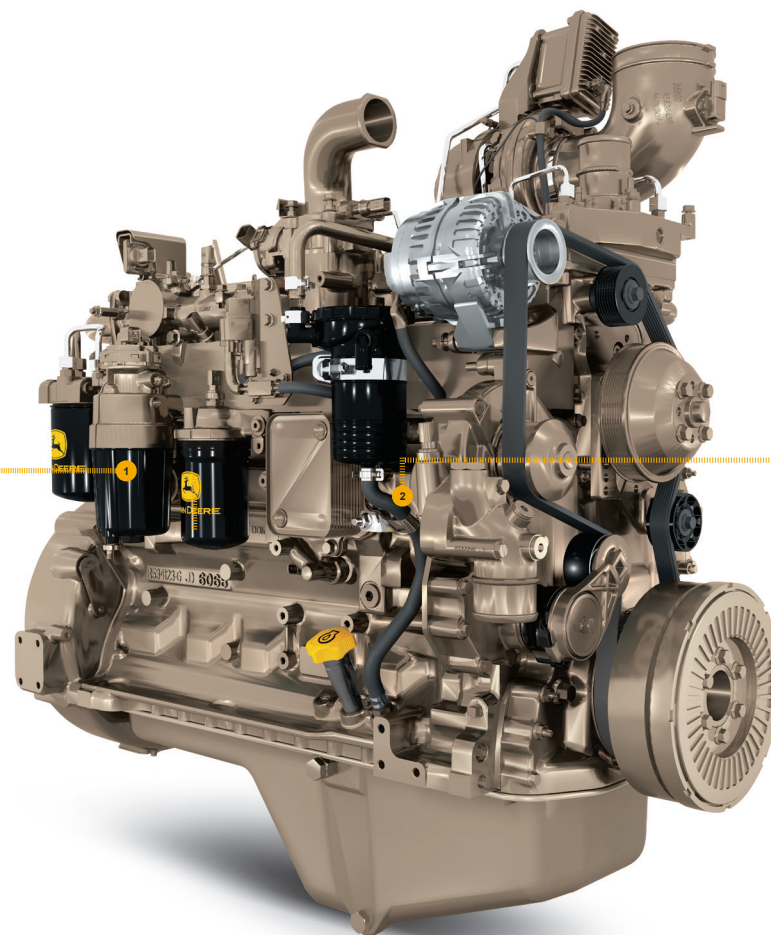
6090HF485 PowerTech Plus OEM Engine (Tier 3)



FINAL FUEL FILTER

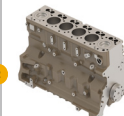
[RE525523](#)

(3501, 3502, 3503, 3504, 3507, 3510, 3511)



SHORT BLOCK ASSEMBLY

[DZ121193](#)



Also Order: Crank Damper, Engine Gasket Kit, Dipstick Tube, Cylinder Head Bolt Kit, And Parts From The Short Block Hardware Kit As Needed SUB FOR DZ10597, MARKED R542211.



JOHN DEERE
Genuine Parts and Service

REMAN PARTS GUIDE

6090HF485 PowerTech Plus OEM Engine (Tier 3)



ALTERNATOR

[SE501839](#) (REMAN FOR [RE500226](#))
(12V , 120A) (3102) (3114)

[SE501343](#) (REMAN FOR [AH165975](#) OR [TY24486](#)) (12V, 120A) (3104, 3115)

[SE501342](#) (REMAN FOR [AH137883](#) OR [TY24485](#)) (12V , 95A) (3105, 3116)

[SE501387](#) (REMAN FOR [AT173624](#) OR [TY6799](#)) (12V , 65A) (3107, 3117)

[SE501842](#) (REMAN FOR [RE65414](#))
(24V , 60A) (3109, 3118)

[SE501341](#) (REMAN FOR [AT161324](#) OR [AT185696](#) OR [TY24322](#)) (12V , 65A) (3113, 3119)

[SE501836](#) (REMAN FOR [RE500227](#))
(12V , 90A) (3120, 3143)

[SE501826](#) (REMAN FOR [AXE17691](#))
(200A) (3121)

[SE501838](#) (REMAN FOR [AT387574](#))
(100A) (3121)

[SE501832](#) (REMAN FOR [AXE28087](#))
(12V, 185A) (3151)

[SE502563](#) (REMAN FOR [RE558676](#))
(24V) (3169)



STARTER MOTOR

[SE501867](#) (REMAN FOR [RE529661](#))
(12V) (3001)

[SE501866](#) (REMAN FOR [RE506103](#))
(24V) (3005)



INJECTION NOZZLE

[SE501947](#) (REMAN FOR [RE546776](#))
(1601, 1613)

[SE501948](#) (REMAN FOR [DZ100223](#) OR [RE546777](#) OR [RE528408](#)) (1603)

[SE501949](#) (REMAN FOR [RE546778](#) OR [RE528409](#)) (1604)



COMPRESSOR

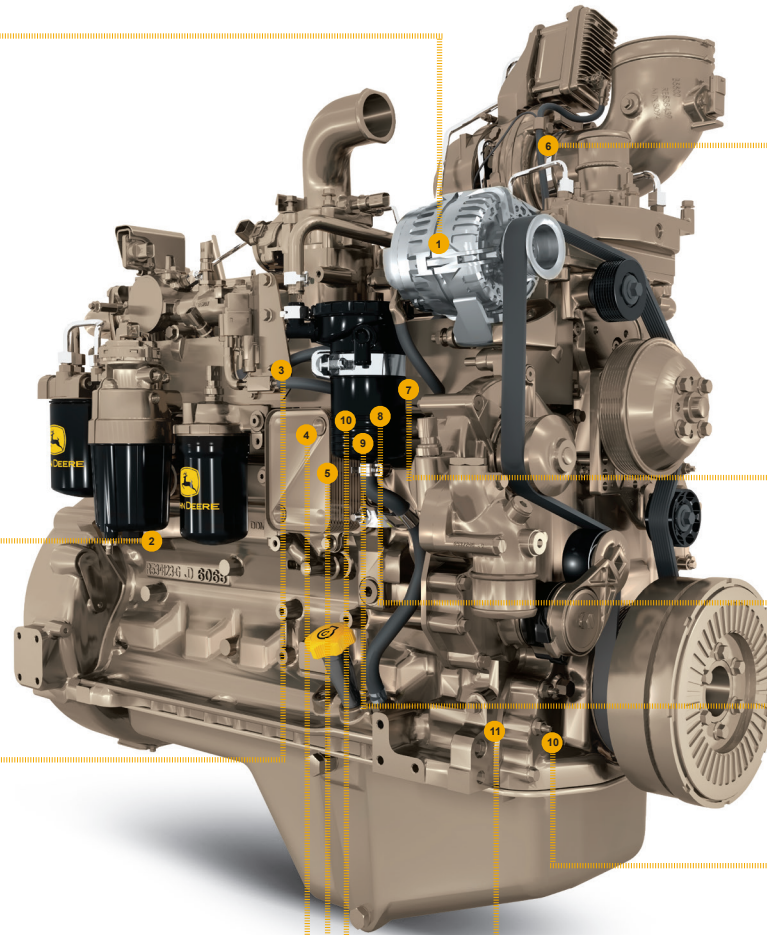
[SE503065](#) (REMAN FOR [RE46609](#))
(10PA, 12V) (7408, 7409, 7413)

[SE503064](#) (REMAN FOR [AT172975](#))
(10PA, 24V) (7428, 7429, 7433)



COMPLETE BLOCK ASSEMBLY

[SE501746](#) May Not Be As Illustrated
Includes Cylinder Head with Valves and Rocker Arm Assembly, Includes Oil Pump Assembly, Complete Gasket Kit with Front and Rear Seals (9901)7433)



TURBOCHARGER

[SE502421](#) (REMAN FOR [DZ108118](#))
(6502, 6524)

[SE502353](#) (REMAN FOR [DZ108127](#)) (6505)

[SE502341](#) (REMAN FOR [RE535695](#)) (6514)

[SE502367](#) (REMAN FOR [DZ108130](#)) (6516)

[SE502366](#) (REMAN FOR [DZ108125](#)) (6516, 6522)

[SE502428](#) (REMAN FOR [DZ108122](#))
(6520, 6525)

[SE502347](#) (REMAN FOR [DZ108126](#)) (6523)

[SE502375](#) (REMAN FOR [DZ108135](#)) (6536)

[SE502430](#) (REMAN FOR [DZ108129](#)) (6537)

[SE502213](#) (REMAN FOR [DZ108146](#)) (65PE)

[RE523680](#) (5101)



CYLINDER HEAD

[SE501747](#) (REMAN FOR [RE523680](#)) (5101)



CONNECTING ROD

[SE501759](#) (REMAN FOR [DZ122131](#)) (4801)

[SE501748](#) (REMAN FOR [DZ122131](#)) (4801)



FUEL INJECTION PUMP

[SE501922](#) (REMAN FOR [RE571640](#) AND [RE534156](#)) (1601, 1603, 1604, 1613)

[SE501923](#) (REMAN FOR [RE546121](#)) (1613)



OIL PUMP

[SE501270](#) (REMAN FOR [RE543187](#)) (5001)



WATER PUMP

[SE501228](#) (REMAN FOR [RE530194](#)) (2001)



CONTROLLER

[SE502800](#) (REMAN FOR [RE531808](#))
(LEVEL 14) (8401, 8405, 8407, 8408, 8409, 8410, 8497, 8498)

[SE502801](#) (REMAN FOR [RE520953](#))
(LEVEL 14) (8401, 8405, 8407, 8408, 8409, 8410, 8497, 8498)

