

REPLACEMENT PARTS GUIDE

6068TYE01 PowerTech 6.8L PLA Sprayer OEM Engine (Non Certified)



PRIMARY FUEL FILTER

[RE62424](#) (8103)

Replace 500 Hours of Operation or Every 12 Months.



FINAL FUEL FILTER

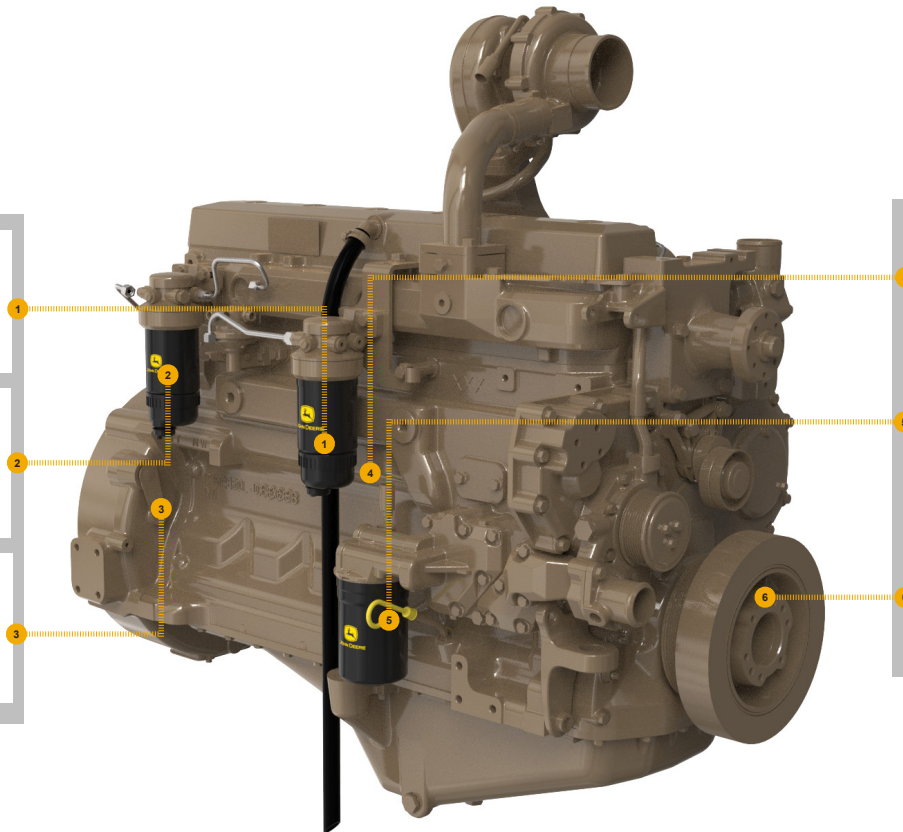
[RE62419](#) (35L4)

Replace 500 Hours of Operation or Every 12 Months.



STARTER

[RE501298](#) (30CD)



SHORT BLOCK ASSEMBLY

[RE571654](#) Tapered Nose Crankshaft
MARKED [R504850](#)



OIL FILTER

[RE504836](#) (88BF)

Replace 500 Hours of Operation or Every 12 Months.



CRANKSHAFT PULLEY

[RE508578](#) (OD = 188 mm) (1320)



JOHN DEERE
Genuine Parts and Service

REMAN PARTS GUIDE

6068TYE01 PowerTech 6.8L PLA Sprayer OEM Engine (Non Certified)



STARTER MOTOR

[SE501403](#) (REMAN FOR [RE501298](#)) (30CD)



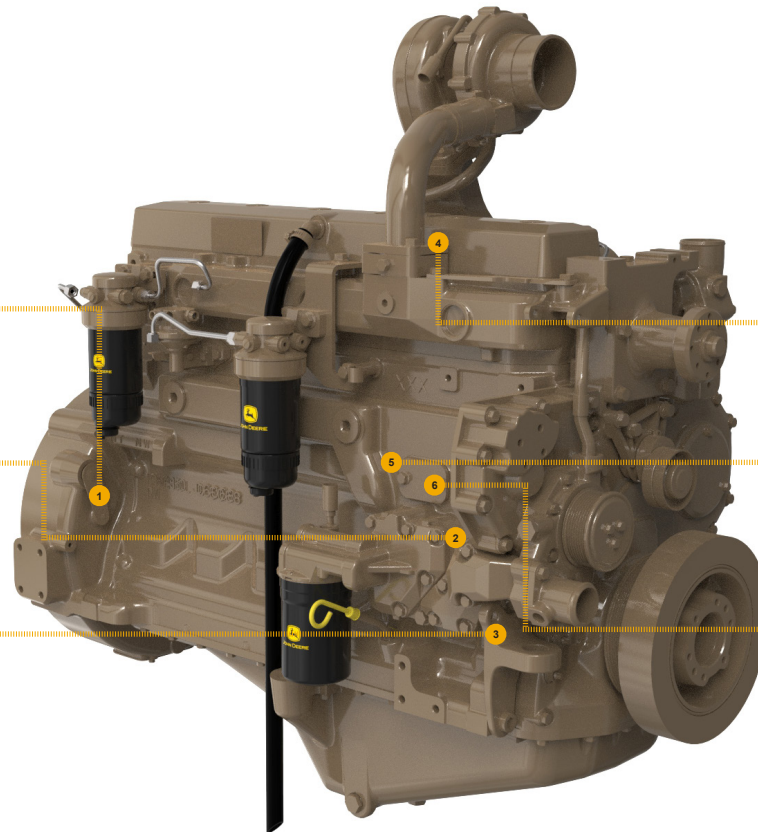
WATER PUMP

[SE501609](#) (REMAN FOR [RE546906](#)) (44CT)



OIL PUMP

[SE501813](#) (REMAN FOR [DZ100021](#)) (5024)



TURBOCHARGER

[SE502442](#) (REMAN FOR [RE550932](#)) (655Y)



CYLINDER HEAD

[SE501581](#) (REMAN FOR [RE57489](#)) (5107)



CONNECTING RODS

[SE501094](#) (REMAN FOR [RE500608](#)) (4820)



JOHN DEERE
Genuine Parts and Service