



# REPLACEMENT PART GUIDE

## 6068HN078 PowerTech PTE 6.8L Mazzoti OEM Engine (Stage III A)



### FAN BELT

[T428870](#) (LGTH = 2415 mm) (24EU)



### FINAL FUEL FILTER

[RE522878](#) (35ED)

500 hrs of operation or every 12 months.



### STARTER

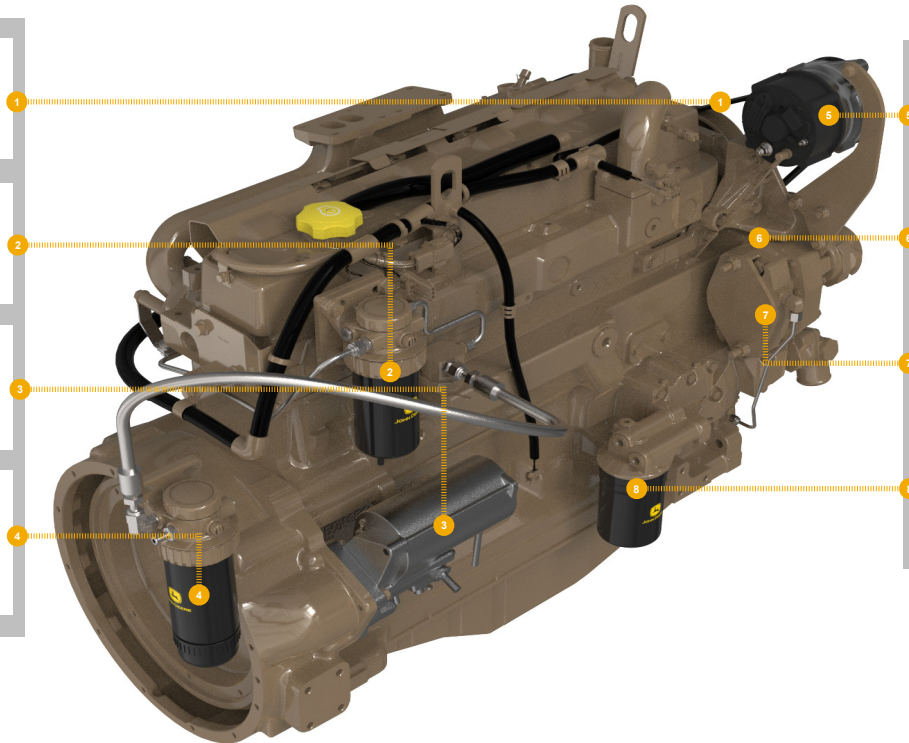
[RE70474](#) (12V, 4.8KW) (3010)



### PRIMARY FILTER

[RE541922](#) (8164)

500 hrs of operation or every 12 months.



### ALTERNATOR

[RE533654](#) (12V, 120A) (3141)



### FAN PULLEY

[R128661](#) (OD = 183.5 mm) (8655)



### CRANKSHAFT PULLEY

[RE505881](#) (OD = 168 MM) (1324)



### OIL FILTER

[RE504836](#) (8843)

500 hrs of operation or every 12 months.



**JOHN DEERE**

Genuine Parts and Service



# REMAN PARTS GUIDE

## 6068HN078 PowerTech PTE 6.8L Mazzoti OEM Engine (Stage III A)



### FUEL INJECTION NOZZLE

[SE501925](#) (REMAN FOR [DZ100212](#)) (16A6)

### FUEL INJECTION PUMP

[SE501915](#) (REMAN FOR [RE507959](#)) (16A6)



### CYLINDER HEAD

[SE501805](#) (REMAN FOR [RE525456](#)) (5123)



### CONNECTING ROD

[SE501094](#) (REMAN FOR [RE500608](#)) (4839)



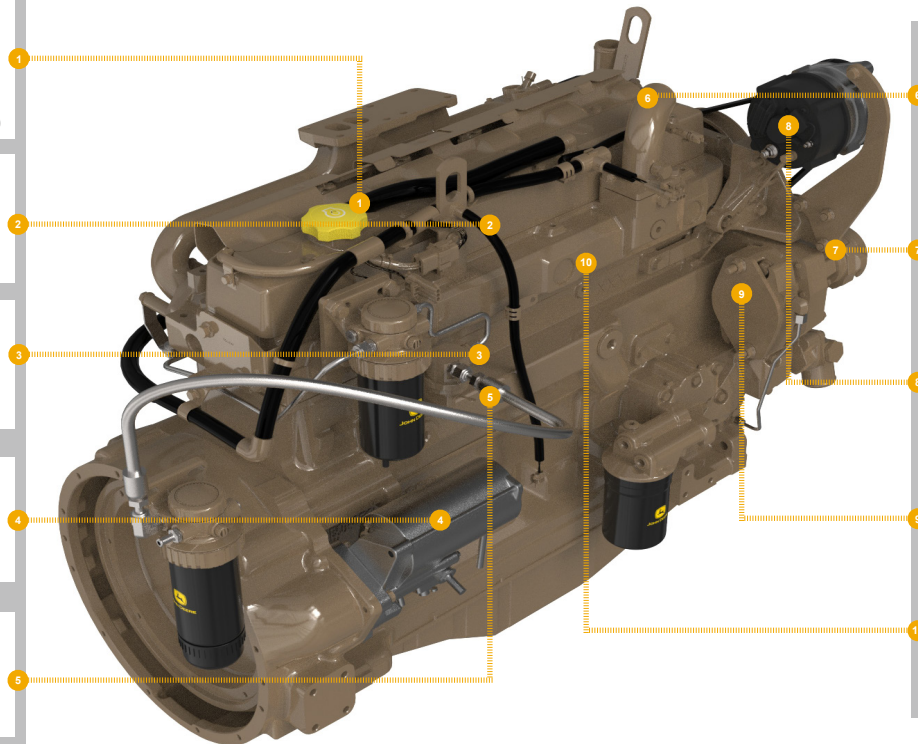
### STARTER

[SE501405](#) (REMAN FOR [RE70474](#)) (12V, 4.8KW) (3010)



### AC COMPRESSOR

[SE503065](#) (REMAN FOR [AH169875](#)) (12V, 10PA) (7425)



### TURBO CHARGER

[SE502192](#) (REMAN FOR [RE550941](#)) (65RN)



### OIL PUMP

[SE501814](#) (REMAN FOR [DZ100057](#)) (5001)



### ALTERNATOR

[SE502628](#) (REMAN FOR [RE533654](#)) (12V, 120A) (3141)



### WATER PUMP

[SE501609](#) (REMAN FOR [RE546906](#)) (4434)



### CONTROLLER

[SE502802](#) (REMAN FOR [RE526588](#)) (24V/12V, LEVEL 16) (16A6)



**JOHN DEERE**  
Genuine Parts and Service