

REPLACEMENT PARTS GUIDE

6068HFS55 Power Unit for Gen Set Non-Certified Engine (SDMO)



ALTERNATOR

[RE537507](#) (12V, 90A) (3164)



FAN PULLEY

[R128662](#) (OD = 203 MM) (8668)
USE WITH [DD22401](#) ENGINE VARIANT

[R128660](#) (OD = 168 MM) (8667)
USE WITH [DZ120027](#) ENGINE VARIANT



OIL FILTER

[RE539279](#) (5957)

Replace 500 Hours of Operation
or Every 12 Months.



FUEL FILTER

[RE541746](#) (35HB)
USE WITH [DD22401](#) ENGINE
VARIANT

Replace 500 Hours of
Operation or Every 12 Months.



STARTER

[RE556973](#) (12V, 4.2KW, RH3) (30BG)
INCLUDING LABEL, COVER, SOLENOID



FINAL FUEL FILTER

[RE541925](#) (35KC, 35JZ)

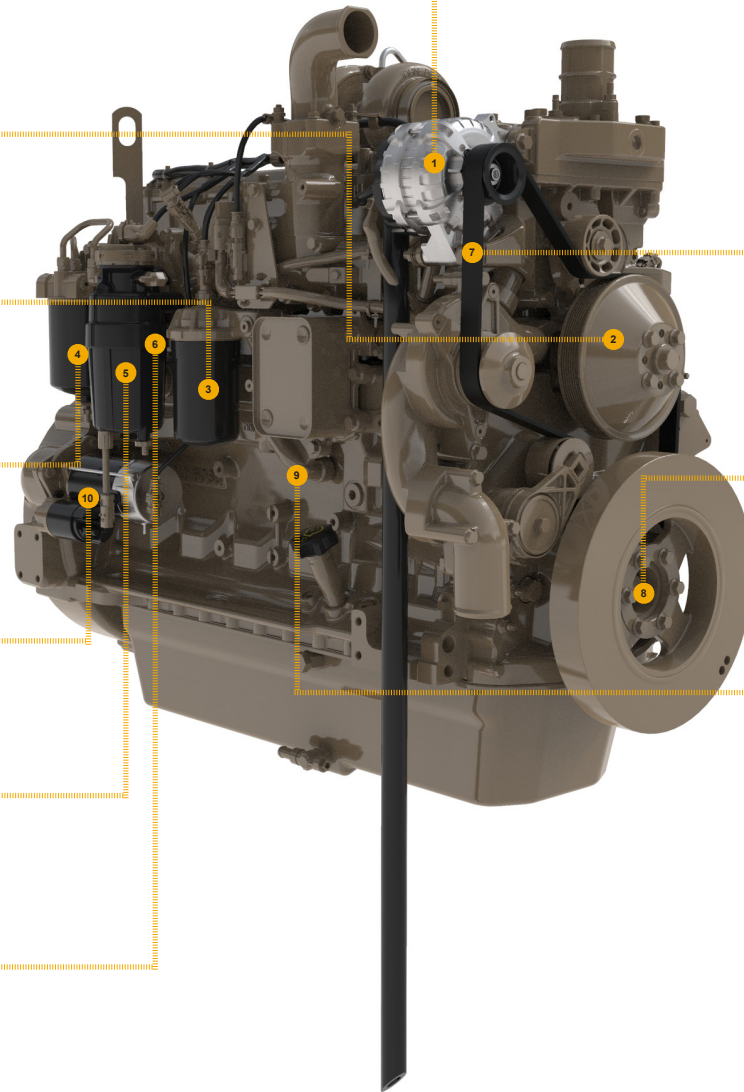
USE WITH [DZ120027](#) ENGINE VARIANT
REPLACE 500 Hours or Every 12 Months.



PRIMARY FUEL FILTER

[RE541922](#) (35KC, 35JZ)

REPLACE 500 Hours of Operation
or Every 12 Months.



FAN BELT

[DZ118559](#) (LGTH = 1700 MM) (24JK)

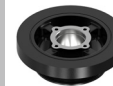
[DZ118818](#) (LGTH = 1745 MM) (24ML)



TORSIONAL DAMPER

[RE505940](#) (OD = 173 MM) (6895)
USE WITH 6895 OC

[DZ119883](#) (OD = 350 MM) (6813)
USE WITH 6813 OC



CRANKSHAFT PULLEY

[RE505939](#) (OD = 188 MM) (1321)

[R545125](#) (OD = 188 MM) (1334)



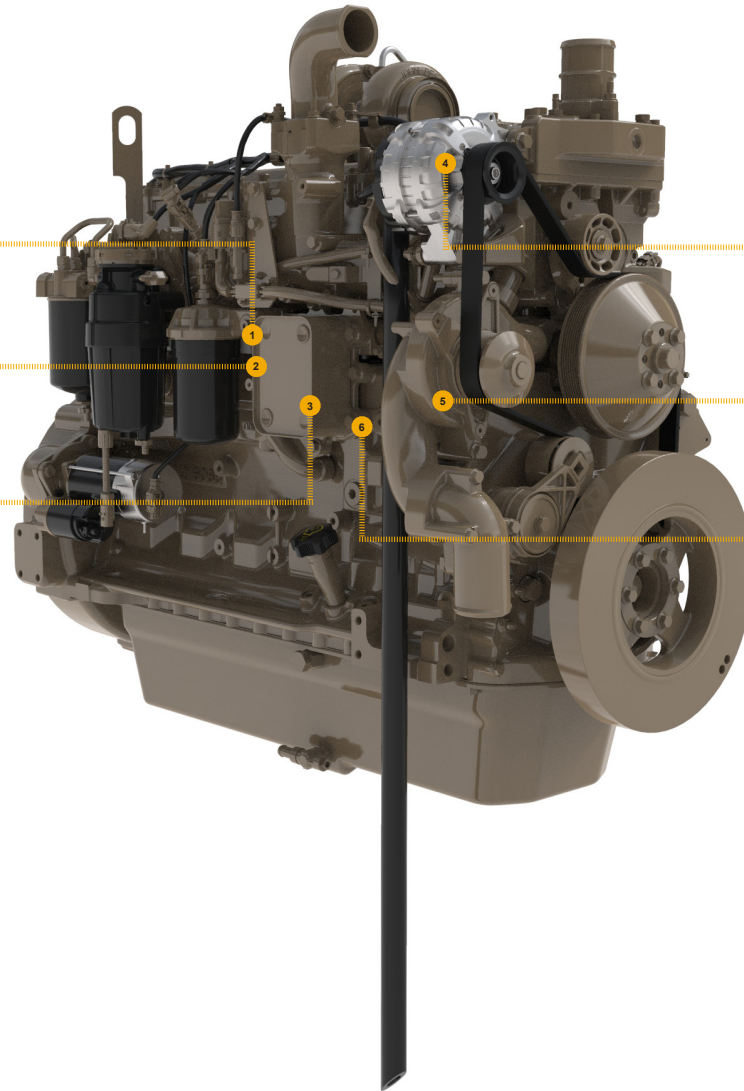
SHORT BLOCK ASSEMBLY

[DZ109869](#) PISTON MARKED [RE549327](#)



REMAN PARTS GUIDE

6068HFS55 Power Unit for Gen Set Non-Certified Engine (SDMO)



FUEL INJECTION NOZZLE

[SE501934](#) (REMAN FOR [DZ100218](#)) (16CB)



CONNECTING RODS

[SE501094](#) (REMAN FOR [RE500608](#)) (4876)



CYLINDER HEAD

[SE502648](#) (REMAN FOR [RE588251](#)) (5137)



ALTERNATOR

[SE502560](#) (REMAN FOR [RE537507](#))
(12V, 90A) (3164)



WATER PUMP

[SE502637](#) (REMAN FOR [RE539093](#))
(2034, 2052)



FUEL INJECTION PUMP

[SE502553](#) (REMAN FOR [RE543262](#)) (16CB)



JOHN DEERE

Genuine Parts and Service