

REPLACEMENT PART GUIDE

6068HFS01 PowerTech™ PWL 4.5L OEM Engine (FT4)



FUEL FILTERS

PRIMARY FILTER ELEMENT

[RE556406](#) (35D5)
[RE556406](#) (35JA)

500 Hours of Operation or Every 12 Months.



FUEL FILTERS

SECONDARY FILTER ELEMENT

[DZ112918](#) (35D5)
[DZ112918](#) (35JA)

500 Hours of Operation or Every 12 Months.



STARTER

[RE523501](#) (12V) (3073)
[RE523502](#) (12) (3084)
[RE564633](#) (24V) (3090)
[DZ110083](#) (24V, 4KW) (3096)
[RE549229](#) (12V) (30AT)
[RE549230](#) (24V) (30AU)
[RE551637](#) (12V) (30BX)
[RE552251](#) (3.5 KW; 24 V) (30CA)



OIL FILTER

[RE539279](#) (5970)
[RE539279](#) (5975)

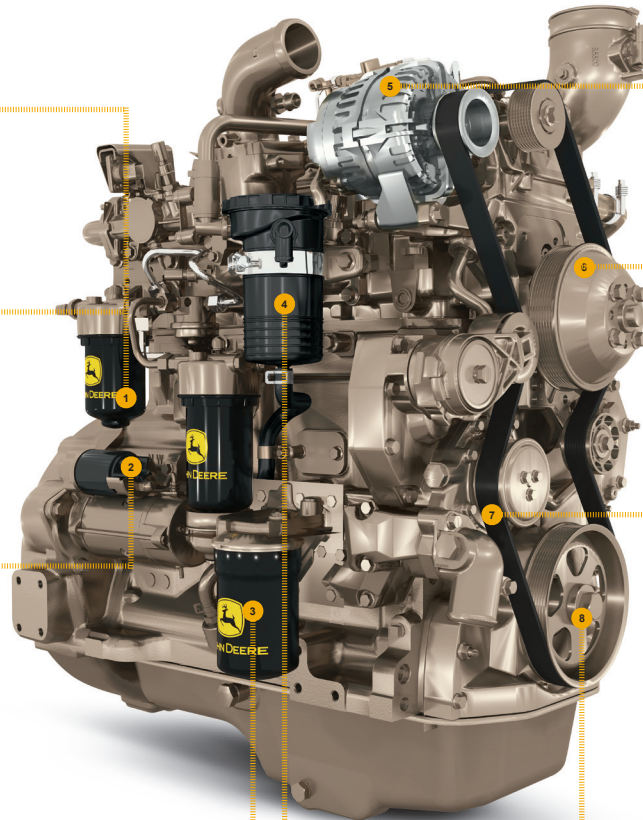
500 Hours of Operation or Every 12 Months.



CRANKCASE VENT SYSTEM

[DZ105796](#) (2975)
[RE553703](#) (29AE)
[DZ105796](#) (USE WITH [DZ106087](#)), [DZ105100](#) (29CX)
[DZ105100](#) (USE WITH [DZ105112](#)) (29EA)
(29EG) (29ER) (29EU)

1500 Hours of Operation



ALTERNATOR



[RE537508](#) (12V, 120 AMP) (31AB)
[RE558675](#) (24V, 60 AMP) (31AC)
[RE558676](#) (24V) (31AD)
[DZ123153](#) (12V, 90 A) (31AE)
[RE555751](#) (12V, 200 A) (31AF)
[RE558678](#) (24V, 150 A) (31AG)



FAN PULLEY

[R128660](#) (OD = 168 mm) (8667)
[R128662](#) (OD = 203 mm) (8668)
[R128659](#) (OD = 154 mm) (8671)



FAN BELT

[DZ118786](#) (LGTH = 1715 mm) (2492)
[DZ118651](#) (LGTH = 1970 mm) (24JQ)
[DZ118652](#) (LGTH = 2005 mm) (24JR)
[DZ121131](#) (LGTH = 1990 mm) (24JS)
[DZ118558](#) (LGTH = 1680 mm) (24JU)
[DZ118559](#) (LGTH = 1700 mm) (24JV)
[DZ121128](#) (LGTH = 1725 mm) (24JW)
[DZ118561](#) (LGTH = 1750 mm) (24JX)
[DZ118560](#) (LGTH = 1720 mm) (29JY)
[DZ118886](#) (LGTH = 2065 mm) (24LU)



CRANKSHAFT PULLEY AND DAMPER

[RE508578](#) (OD = 264 mm) (1320)
[RE505939](#) (OD = 255 mm) (1321)
[RE505941](#) (OD = 264 mm) (1322)
[R545125](#) (OD = 193 mm) (1334)
[RE541578](#) (OD = 190 mm) (1343)
[RE57604](#) (OD = 270 mm) (6811)
[DZ119883](#) (OD = 350 mm) (6813)
[RE57604](#) (OD = 270 mm) (6816)



JOHN DEERE
Genuine Parts and Service

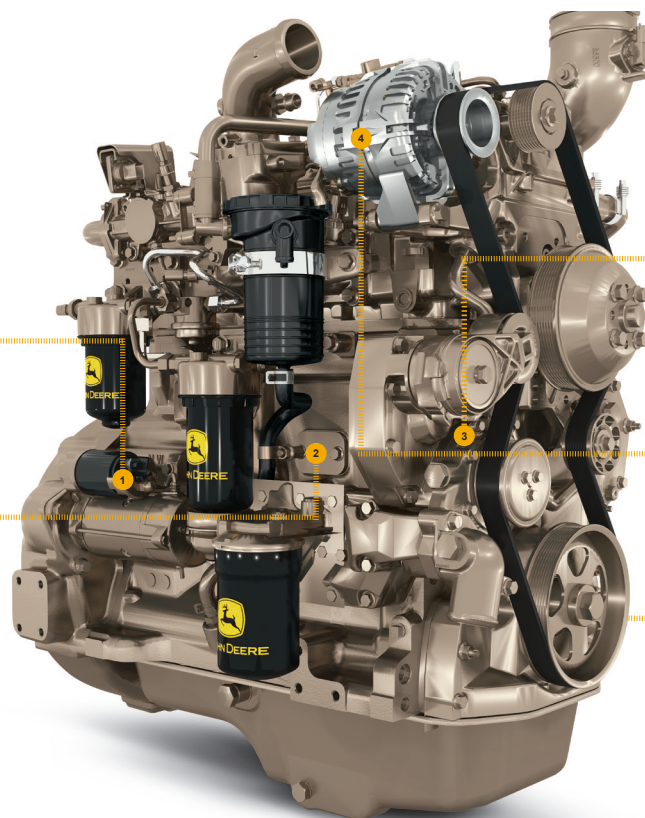
CLICK PART NUMBER TO BUY

*See operator's manual for additional details.



REMAN PARTS GUIDE

6068HFS01 PowerTech™ PWL 4.5L OEM Engine (FT4)



STARTER

[SE502631](#) (REMAN FOR [RE523501](#)) (3073)

[SE502632](#) (REMAN FOR [RE523502](#))
(12 V) (3084)

[SE502558](#) (REMAN FOR [RE549229](#))
(12 V) (30AT)

[SE502823](#) (REMAN FOR [RE549230](#))
(24 V) (30AU)

[SE502733](#) (REMAN FOR [RE564633](#))
(24V, 4 KW) (3090)



CONNECTING ROD

[SE501094](#) (REMAN FOR [RE500608](#)) (4865)



WATER PUMP

[SE502636](#) (REMAN FOR [RE539091](#))
(2050)



ALTERNATOR

[SE502560](#) (REMAN FOR [DZ123153](#))
(14 V, 90 A) (31AE)

[SE502561](#) (REMAN FOR [RE537508](#))
(12V, 120A) (31AB)

[SE502680](#) (REMAN FOR [RE555751](#))
(12 V) (31AF)

[SE502563](#) (REMAN FOR [RE558676](#))
(24 V) (31AD)



CONTROLLER

[RM100100](#) (REMAN FOR [RE548097](#))
(84ER) (84GH)

[RM100131](#) (REMAN FOR [RE551059](#))
(84DV) (84DT) (84EP)

