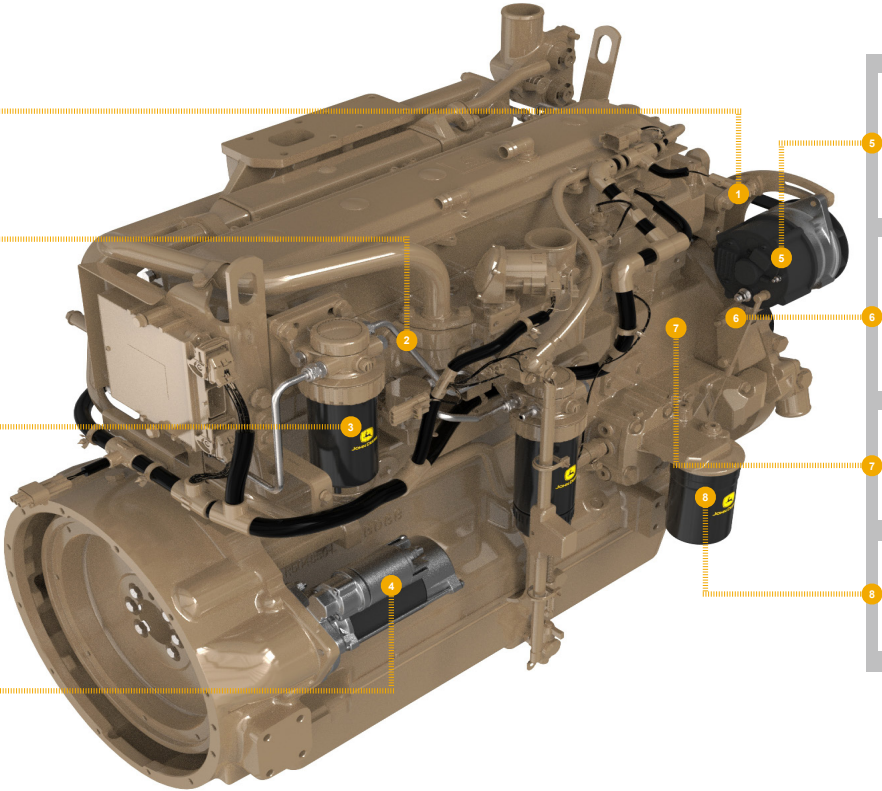




REPLACEMENT PART GUIDE

6068HFS89 PowerTech 6.8L (12-24V 1800RPM) Genset OEM SDMO Engine



FAN BELT



[DZ117268](#) (LGTH = 1530 mm) (24BK)

SHORT BLOCK ASSEMBLY



[RE528638](#) (COMPONENTS ON SEPARATE PAGE) (MARKED [R504850](#)) (4633)

FUEL FILTER



[RE522878](#) (Secondary Fuel Filter) (35H2)
[AT526918](#) (Secondary Fuel Filter) (35DZ)
[RE541922](#) (Primary Fuel Filter) (8169)
[AT526913](#) (PRIMARY APPLICABLE FOR 624K, 644K LOADER BRAZIL MODELS) (8169)
 500 hrs of operation or every 12 months.

STARTER



[DZ129200](#) (12 V, 2.5 KW) (3005)
[DZ110083](#) (ISKRA, 24 V, 4 KW) (3067)
[RE523502](#) (12 V, 3 KW) (3062)
[RE546868](#) (ISKRA, 12 V, 3.2 KW) (30BA)

ALTERNATOR



[RE537146](#) (ISKRA, 28 V, 50 A) (3114)
[DZ114957](#) (BOSCH, 24 V, 45 A) (3142)
[RE505895](#) (ISKRA, 12 V, 75 A) (3135, 3155)

CRANKSHAFT PULLEY



[RE508578](#) (D = 188 mm) (1320)

DAMPER



[DZ119883](#) (D = 350 mm) (6813)

FAN PULLEY



[R128658](#) (OD = 140 mm) (8604)
[R128660](#) (OD = 173 mm) (8605)

OIL FILTER



[RE504836](#) (88AB, 8842)
 500 hrs of operation or every 12 months.



REMAN PARTS GUIDE

6068HFS89 PowerTech 6.8L (12-24V 1800RPM) Genset OEM SDMO Engine



TURBOCHARGER

[SE502213](#) (REMAN FOR [DZ108146](#)) (65PE)
[SE502351](#) (REMAN FOR [DZ108147](#)) (65PF)



CYLINDER HEAD

[SE501583](#) (REMAN FOR [RE521639](#) OR [RE553421](#)) (5120)



CONNECTING ROD

[SE501094](#) (REMAN FOR [RE500608](#)) (4839)



FUEL INJECTION PUMP

[SE501915](#) (REMAN FOR [RE507959](#)) (16C7)



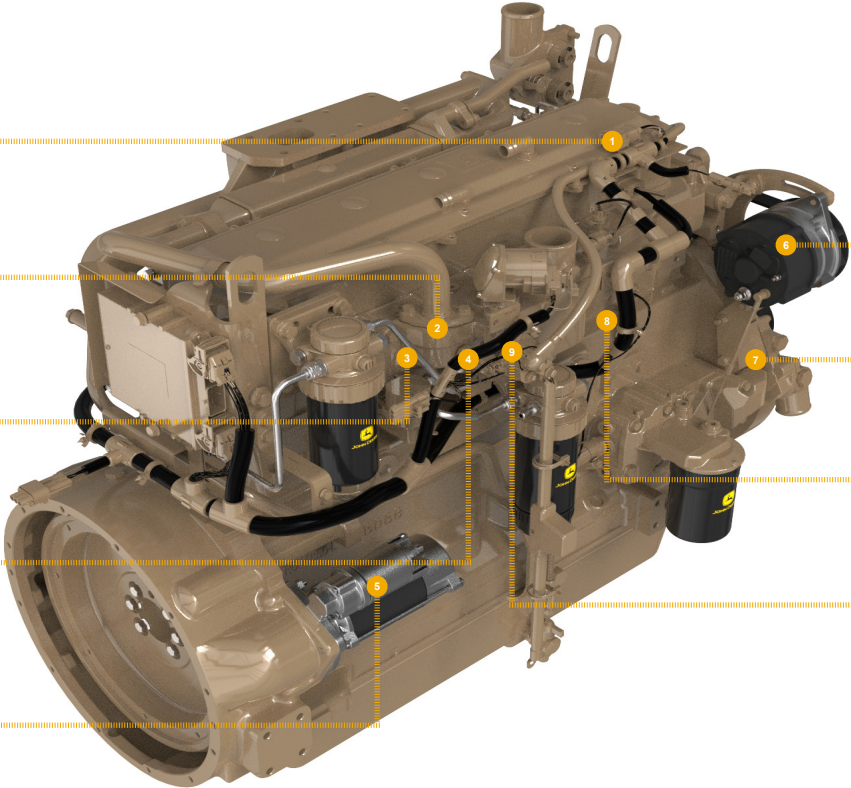
FUEL INJECTION NOZZLE

[SE501926](#) (REMAN FOR [DZ100217](#)) (16C7)



STARTER

[SE501401](#) (REMAN FOR [RE540301](#))
 (12 V, 2.5 KW) (3005)
[SE502632](#) (REMAN FOR [RE507236](#))
 (12 V, 3 KW) (3062)



ALTERNATOR

[RM100224](#) (REMAN FOR [RE505895](#))
 (ISKRA, 12 V, 75 A) (3155, 3135)



WATER PUMP

[SE501227](#) (REMAN FOR [RE546918](#)) (4436)



OIL PUMP

[SE501813](#) (REMAN FOR [RE521756](#)) (5024)



ENGINE CONTROLLER

[SE502800](#) (REMAN FOR [RE531808](#)) (16C7)