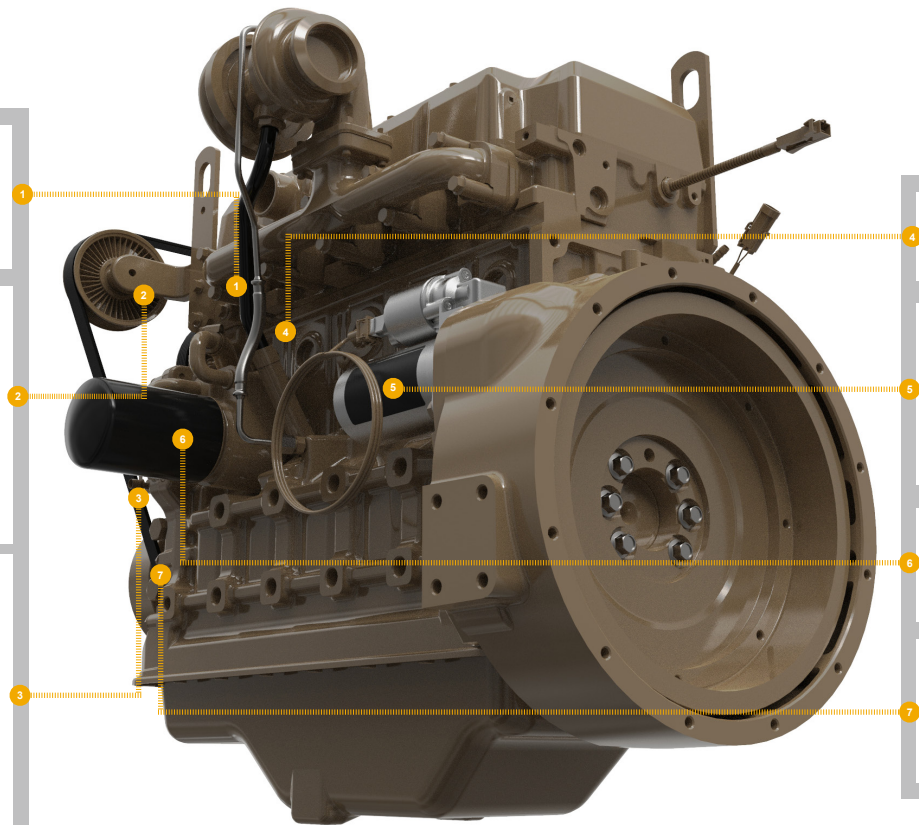




REPLACEMENT PART GUIDE

5030HF220 PowerTech 3.0L OEM Engine



ALTERNATOR



[RE529377](#) (12V, 70A) (3102)

[AH165975](#) (12V, 120A) (3103)

[RE522401](#) (24V, 50A) (3104)

FAN PULLEY



[R505808](#) (OD = 140 mm) (8601)

[R516401](#) (OD = 127 mm) (8602)

[R516400](#) (OD = 160 mm) (8603)

[R520415](#) (OD = 140 mm) (8604)

[R520414](#) (OD = 160 mm) (8605)

[R520462](#) (OD = 127 mm) (8606)

FAN BELT



[DZ118739](#) (LGTH = 2530 mm) (2415)

[R519408](#) (LGTH = 2500 mm) (2416)

[DZ118736](#) (LGTH = 2480 mm) (2417)

[R523007](#) (LGTH = 2370 mm) (2419, 2420, 2422)

[R522751](#) (LGTH = 2395 mm) (2421, 2424)

[DZ118732](#) (LGTH = 2365 mm) (2423)

FUEL FILTER



[RE508202](#) (3503, 3506, 3508)

STARTER



[RE540304](#) (2V, 2.2KW) (3002)

[RE540305](#) (24V, 3.0KW) (3003)

[RE540303](#) (12V, 2.6KW) (3007) INCLUDING SAFETY SIGN, LABEL, COVER, SOLENOID

OIL FILTER



[RE519626](#) (8001)

500 hrs of operation or every 12 months.

CRANKSHAFT PULLEY DAMPER



[RE523315](#) (OD = 160 mm) (1303)

DAMPER

[RE516488](#) (OD = 186 mm) (6801)



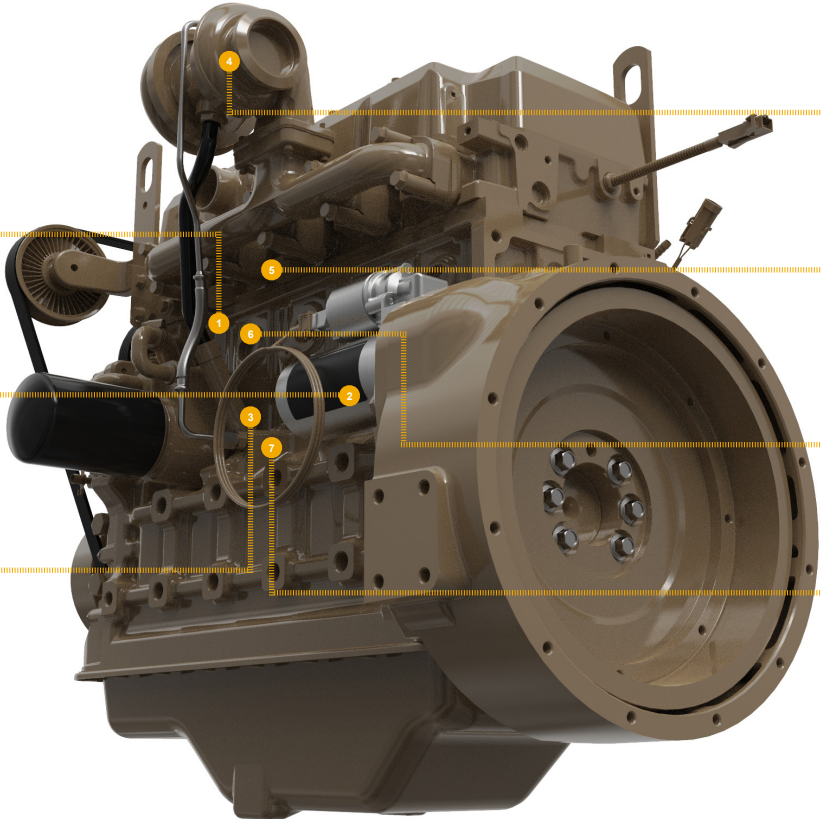
JOHN DEERE


Genuine Parts and Service




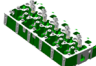
REMAN PARTS GUIDE


5030HF220 PowerTech 3.0L OEM Engine





 **CONNECTING ROD**
[SE501898](#) (REMAN FOR [RE504544](#)) (4801)

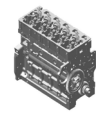
 **STARTER**
[RM100157](#) (REMAN FOR [RE540304](#))
(12V, 2.2KW) (3002)
[RM100034](#) (REMAN FOR [RE540303](#))
(24V, 3.0KW) (3003)

 **CYLINDER HEAD**
[SE501607](#) (REMAN FOR [DZ117412](#)) (5102)

 **TURBOCHARGER**
[SE502193](#) (REMAN FOR [RE518234](#)) (6508)

 **ALTERNATOR**
[SE501343](#) (REMAN FOR [AH165975](#))
(12V, 120A) (3103)
[SE501831](#) (REMAN FOR [RE529377](#))
(12V, 70A) (3102)

 **WATER PUMP**
[SE502114](#) (REMAN FOR [RE545573](#)) (S250)
(2001)

 **COMPLETE BLOCK ASSEMBLY**
[RM10027](#) (REMAN FOR [RE528293](#)) (4801)