

REPLACEMENT PART GUIDE

4045HYF01 PowerTech PTE 4.5L Sprayer PLA OEM Engine (Tier-3)



PRIMARY FUEL FILTER

[RE541922](#) (81H4)

Replace 500 Hours of Operation or Every 12 Months.



FINAL FUEL FILTER

[RE522878](#) (35ED)

Replace 500 Hours of Operation or Every 12 Months.



STARTER MOTOR

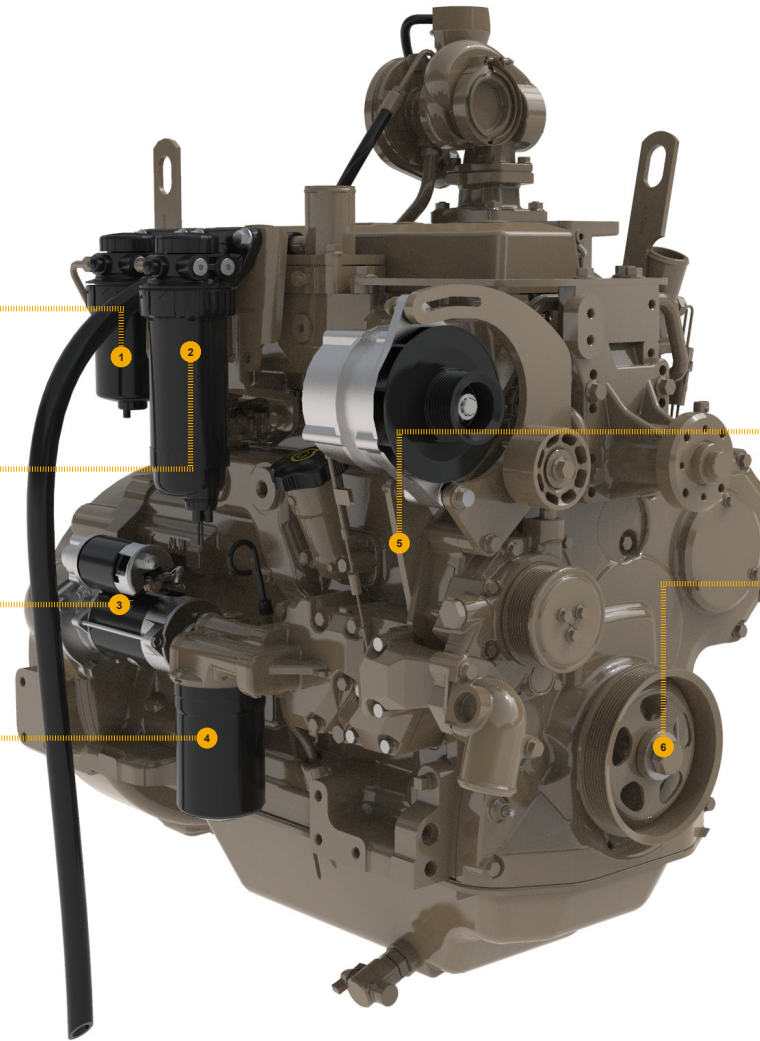
[DZ110068](#) (12V) (30DJ)



OIL FILTER

[RE504836](#) (88AX)

Replace 500 Hours of Operation or Every 12 Months.



SHORT BLOCK ASSEMBLY

[RE532716](#)

Also Order Engine Overhaul Gasket Kit and Cylinder Head Bolt Kit.



CRANKSHAFT PULLEY

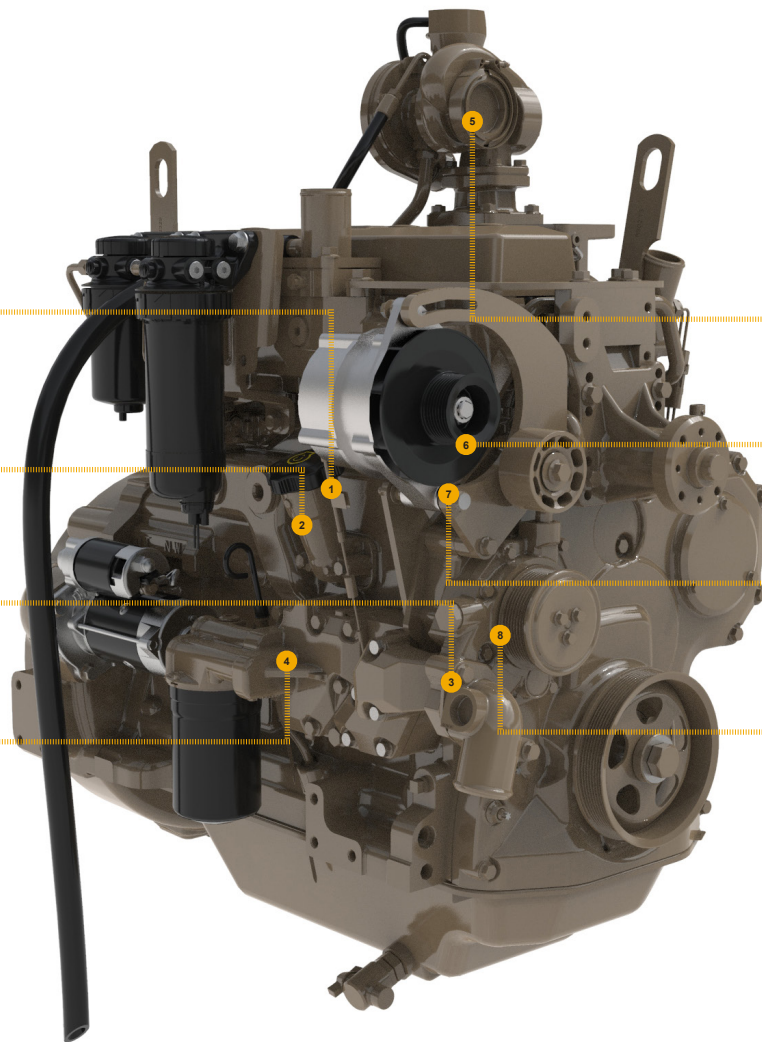
[R503880](#) (OD = 189 mm) (1327)



JOHN DEERE
Genuine Parts and Service

REMAN PARTS GUIDE

4045HYF01 PowerTech PTE 4.5L Sprayer PLA OEM Engine (Tier-3)



FUEL INJECTION NOZZLE

[SE501925](#) (REMAN FOR [SE501925](#)) (16VW)



FUEL INJECTION PUMP

[SE501915](#) (REMAN FOR [SE501915](#)) (16VW)



WATER PUMP

[SE501609](#) (REMAN FOR [RE546906](#)) (44CL)



OIL PUMP

[SE501814](#) (REMAN FOR [DZ100057](#)) (5001)



TURBOCHARGER

[SE502218](#) (REMAN FOR [RE548726](#)) (656J)



CONNECTING RODS

[SE501094](#) (REMAN FOR [RE500608](#)) (4438)



CYLINDER HEAD

[SE501808](#) (REMAN FOR [RE525458](#)) (5122)



ENGINE CONTROLLER

[RE526588](#) (REMAN FOR [RE526588](#))
(LEVEL 16, 24V/12V) (16VW)



JOHN DEERE
Genuine Parts and Service