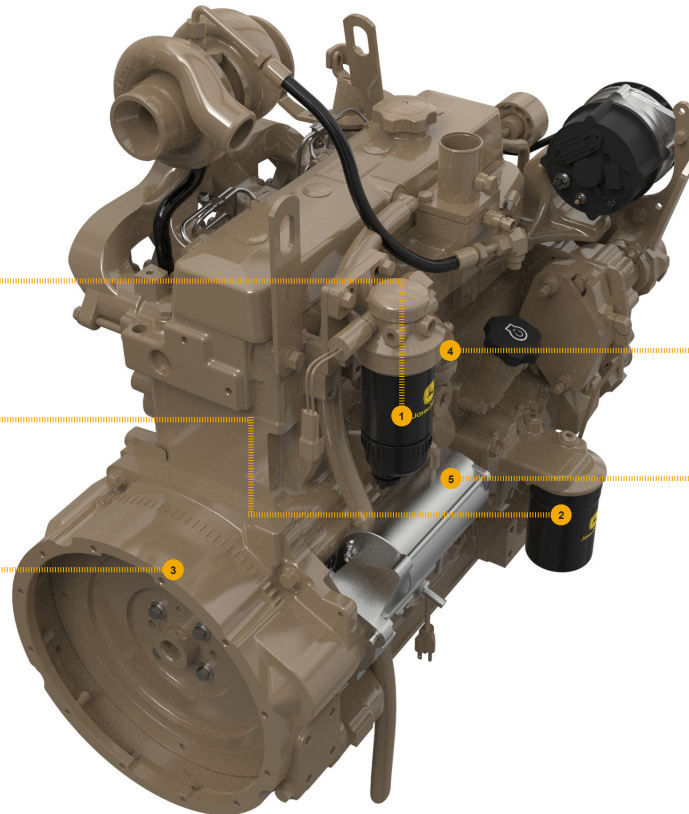


# REPLACEMENT PART GUIDE

## 4045HYE01 PowerTech PT 4.5L Sprayer PLA OEM Engine (Non-Certified)



### FINAL FUEL FILTER

[RE62419](#) (35L4)

Replace 500 Hours of Operation or Every 12 Months.



### OIL FILTER

[RE504836](#) (88BF)

Replace 500 Hours of Operation or Every 12 Months.



### CRANKSHAFT PULLEY

[R503880](#) (OD = 189 mm) (1327)



### SHORT BLOCK ASSEMBLY

[RE532716](#)

Also Order Engine Overhaul Gasket Kit and Cylinder Head Bolt Kit.



### STARTER MOTOR

[RE546862](#) (12V) (30BS)

Including Safety Sign, Label, Cover



**JOHN DEERE**

Genuine Parts and Service

# REMAN PARTS GUIDE

## 4045HYE01 PowerTech PT 4.5L Sprayer PLA OEM Engine (Non-Certified)



### WATER PUMP

[SE501609](#) (REMAN FOR [RE546906](#)) (44CT)



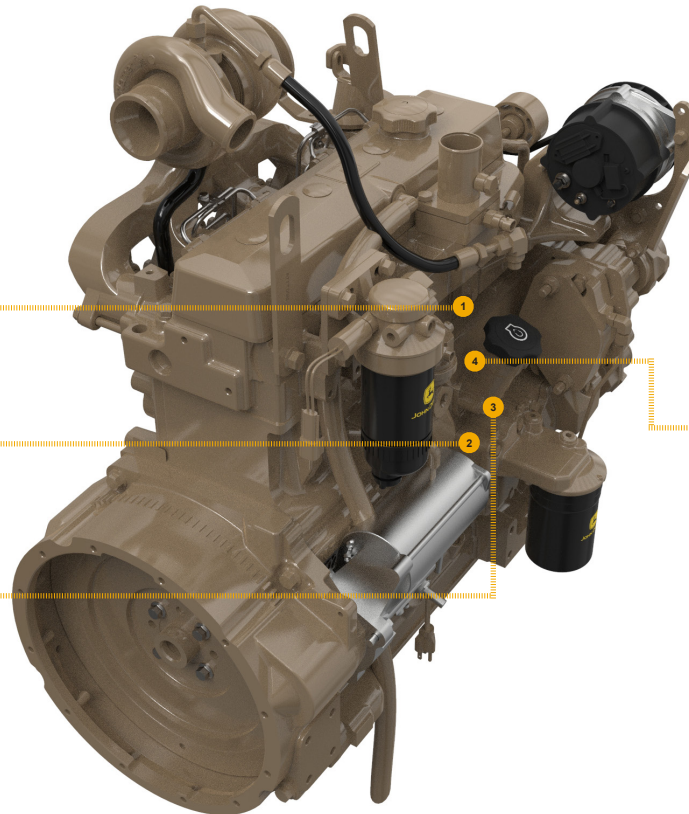
### OIL PUMP

[SE501814](#) (REMAN FOR [DZ100057](#)) (5001)



### CONNECTING RODS

[SE501094](#) (REMAN FOR [RE500608](#)) (4822)



### CYLINDER HEAD

[SE501579](#) (REMAN FOR [RE57234](#)) (5102)



**JOHN DEERE**  
Genuine Parts and Service