

REPLACEMENT PART GUIDE

4024TF220 PowerTech 2.4L (4024) OEM Engine



ALTERNATOR



[RE529377](#) (12 V, 70 A) (3102)
[AH165975](#) (12 V, 120 A) (3103)
[RE522401](#) (24 V, 50 A) (3104)

FAN PULLEY



[R505808](#) (OD = 144.5 mm) (8601)
[R516401](#) (OD = 135 mm) (8602)
[R516400](#) (OD = 167.5 mm) (8603)
[R520415](#) (OD = 144.5 mm) (8604)
[R520414](#) (OD = 167.5 mm) (8605)
[R520462](#) (OD = 135 mm) (8606)

CRANKSHAFT PULLEY

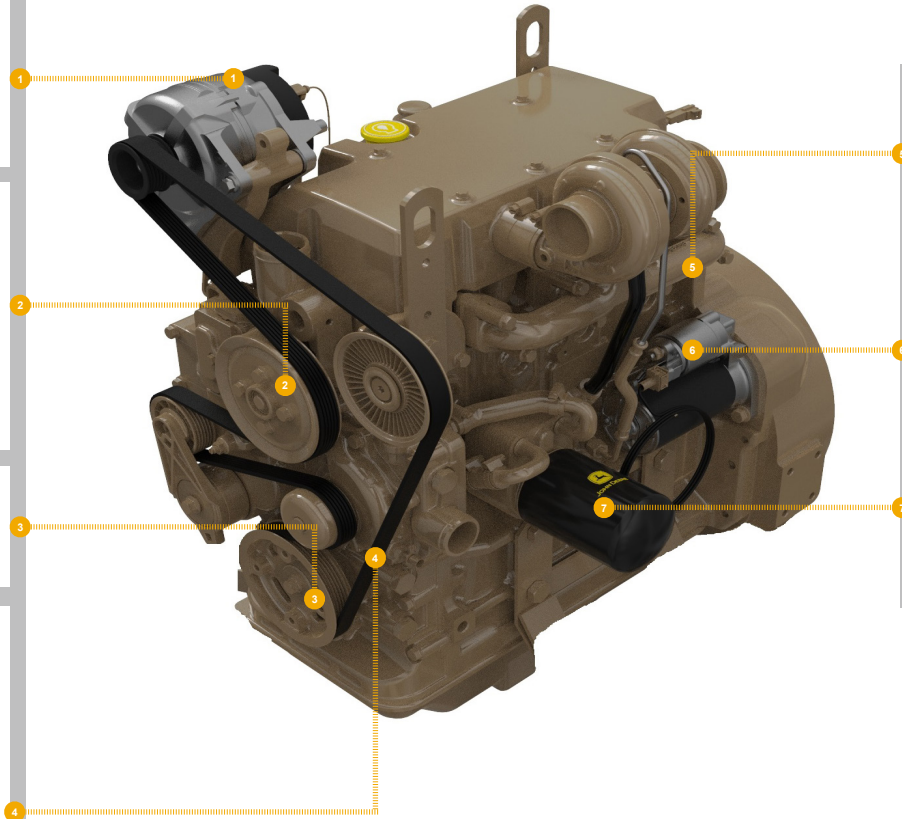


[RE520244](#) (OD = 140 mm) (1301)

FAN BELT



[DZ118741](#) (LGTH = 2340 mm) (2402)
[DZ118732](#) (LGTH = 2270 mm) (2401)
[DZ118729](#) (LGTH = 2300 mm) (2403)
[DZ118741](#) (LGTH = 2340 mm) (2404)
[DZ119646](#) (LGTH = 2415 mm) (2405)
[DZ118737](#) (LGTH = 2465 mm) (2406)
[DZ118732](#) (LGTH = 2270 mm) (2409)
[DZ118729](#) (LGTH = 2300 mm) (2411)
[DZ118735](#) (LGTH = 2435 mm) (2413)



FUEL FILTER



[RE508202](#) (3501, 3508, 3505)
500 hrs of operation or every 12 months.

STARTER



[RE540304](#) (12 V, 2.2 KW) (3002)
[RE540305](#) (24 V, 3.0 KW) (3003)
[RE540303](#) (12 V, 2.6 KW) (3007)

OIL FILTER



[RE519626](#) (8801)
500 hrs of operation or every 12 months.



JOHN DEERE
Genuine Parts and Service



REMAN PARTS GUIDE

4024TF220 PowerTech 2.4L (4024) OEM Engine

ALTERNATOR



[SE501343](#) (REMAN FOR [AH165975](#))
(12V, 120A) (3103)
[SE501831](#) (REMAN FOR [RE529377](#))
(12V, 70A) (3102)

CYLINDER HEAD



[SE501605](#) (REMAN FOR [RE506335](#)) (5100)

CONNECTING ROD

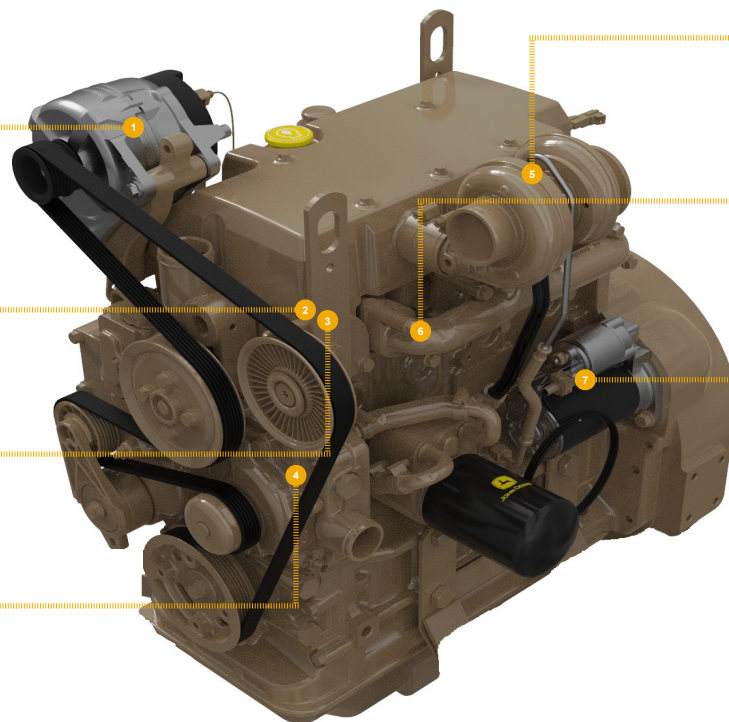


[SE501898](#) (REMAN FOR [RE504544](#)) (4802)

WATER PUMP



[SE502114](#) (REMAN FOR [RE507604](#)) (2001)
[SE502115](#) (REMAN FOR [RE518520](#)) (2002)



TURBOCHARGER

[SE501678](#) (REMAN FOR [RE518228](#)) (6524)



COMPLETE BLOCK ASSEMBLY

[SE501600](#) (REMAN FOR [RE528289](#))
[SE501764](#) (REMAN FOR [RE528289](#))
[SE501601](#) (REMAN FOR [RE528291](#))



STARTER

[RM100034](#) (REMAN FOR [RE540303](#))
(12 V, 2.6KW) (3007)



JOHN DEERE
Genuine Parts and Service