



# REPLACEMENT PART GUIDE

## Power Units for Genset 3029TFU80 Stage III A Engine



### FUEL FILTER

[RE62418](#) (35DD)

500 hrs of operation or every 12 months.



### OIL FILTER

[RE519626](#) (5939)

500 hrs of operation or every 12 months.



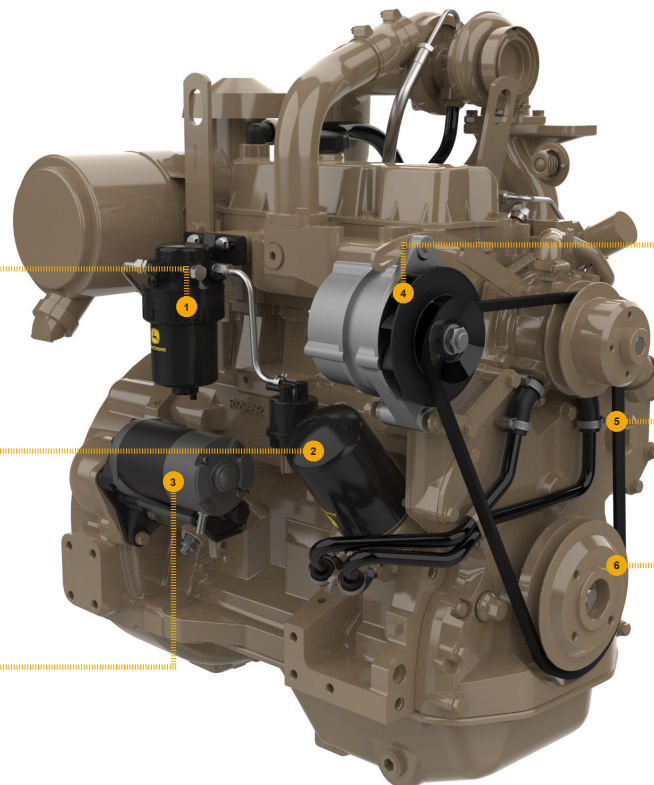
### STARTER MOTOR

[DZ110081](#) (12V, 3.4KW) (3008)

[DZ110082](#) (24V, 4KW) (3025)

[RE528929](#) (24V, 4KW) (3066)

[DZ129200](#) (3070)



### ALTERNATOR

[RE544045](#) (28V, 50A) (3119)

[RE509106](#) (14V, 50A) (3143)



### FAN BELT

[T23526](#) (LGTH=1257 MM) (2401)

[T24473](#) (LGTH=1295 MM) (2402)



### CRANKSHAFT PULLEY AND DAMPER

[R501222](#) (OD= 140 MM) (1312)



**JOHN DEERE**

Genuine Parts and Service



# REMAN PARTS GUIDE

## Power Units for Genset 3029TFU80 Stage III A Engine



### TURBOCHARGER

[SE502214](#) (REMAN FOR [RE518226](#)) (65ZD)



### ALTERNATOR

[SE501835](#) (REMAN FOR [RE509106](#)) (3143)



### CONNECTING ROD

[SE501571](#) (REMAN FOR [RE501674](#)) (4813)

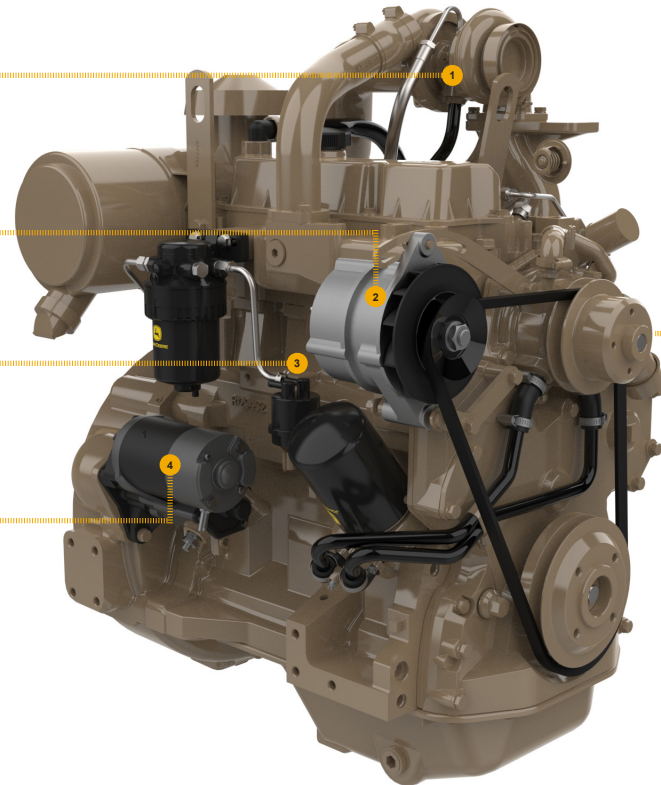


### STARTER

[SE501851](#) (REMAN FOR [DZ110081](#)) (3008)

[SE502286](#) (REMAN FOR [DZ110082](#)) (3025)

[SE501401](#) (REMAN FOR [RE540301](#)) (3070)



### INJECTION NOZZLE

[SE501177](#) (REMAN FOR [RE515684](#)) (16BR)



**JOHN DEERE**  
Genuine Parts and Service