

REPLACEMENT PARTS GUIDE

Power Tech™ 2.9L 3029TFH79 OEM (Tier II Engine)



FUEL FILTER

[RE62418](#) (35C4)

500 hrs of operation or every 12 months.



OIL FILTER

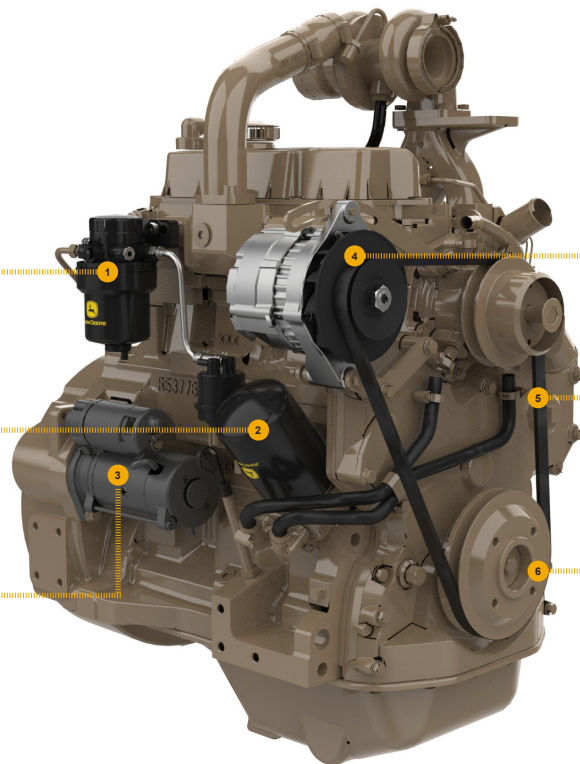
[RE519626](#) (5929)

500 hrs of operation or every 12 months.



STARTER MOTOR

[DZ110082](#) (24 V; 4 KW) (30BL)



ALTERNATOR

[RE544045](#) (28 V ; 50 A) (3129)



FAN BELT

[R97939](#) (LGTH = 1320 MM) (24JB)



CRANKSHAFT PULLEY & DAMPER

[R534716](#) (OD=140 MM) (1348)



JOHN DEERE

Genuine Parts and Service

REMAN PARTS GUIDE

Power Tech™ 2.9L 3029TFH79 OEM (Tier II Engine)



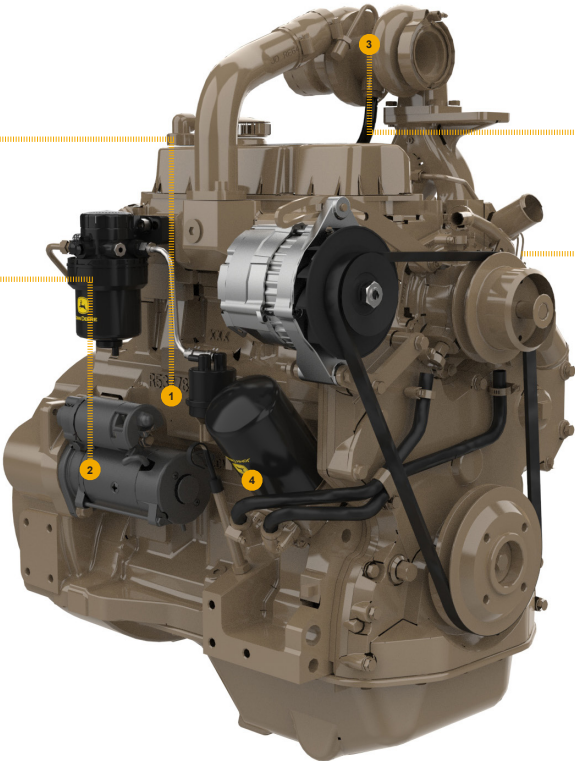
CONNECTING ROD

[SE501571](#) (REMAN FOR [RE501674](#)) (4813)



STARTER

[SE502286](#) (REMAN FOR [DZ110082](#))
(24V, 4KW) (30BL)



TURBOCHARGER

[SE501634](#) (REMAN FOR [RE70036](#)) (65V1)



NOZZLE

[SE501101](#) (REMAN FOR [RE48786](#)) (16LH)