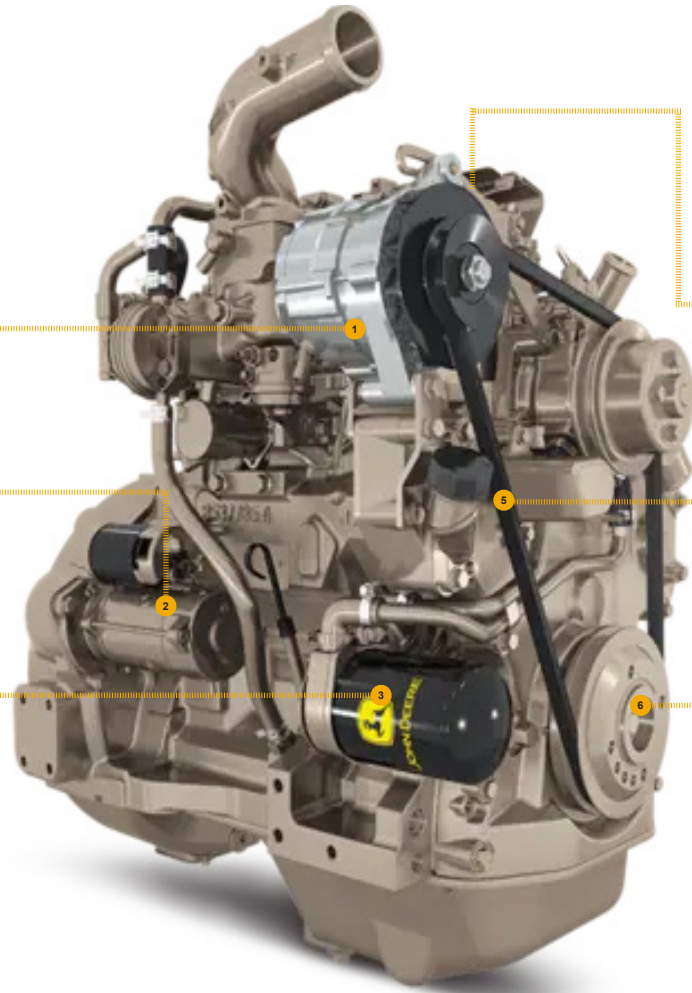


REPLACEMENT PART GUIDE

3029HG530 PowerTech™ EWX 2.9 L OEM Engine(FT4/Stage V)



ALTERNATOR

[RE509106](#) (12 V; 65 A) (31AX)
[RE544045](#) (28 V; 50 A) (31AY)
[DZ122603](#) (12 V) (31BA)



STARTER

[RE519568](#) (12 V; 3.2 KW) (3085)
[RE546868](#) (12 V) (30BA)
[RE552252](#) (24V) (30CB)
[RE552251](#) (24 V, 3.5 KW) (30CA)



OIL FILTER

[RE519626](#) (5984) (5985)
500 Hours of Operation or Every 12 Months.



SHORT BLOCK ASSEMBLY

[DZ110689](#) MARKED R537785



FUEL FILTERS

[R536698](#) (35D8) (35H5)
500 Hours of Operation or Every 12 Months.



FAN BELT

[DZ122485](#) (LGTH = 1385 mm) (24NJ)
[DZ122487](#) (LGTH = 1405 mm) (24NG)
[R131174](#) (LGTH = 1360 mm) (2409)
[R505792](#) (LGTH = 1375 mm) (24BR)
[R87153](#) (LGTH = 1390 mm) (2416)
[R87154](#) (LGTH = 1415 mm) (24NF)



CRANKSHAFT PULLEY & DAMPER

[DZ108451](#) (1350)

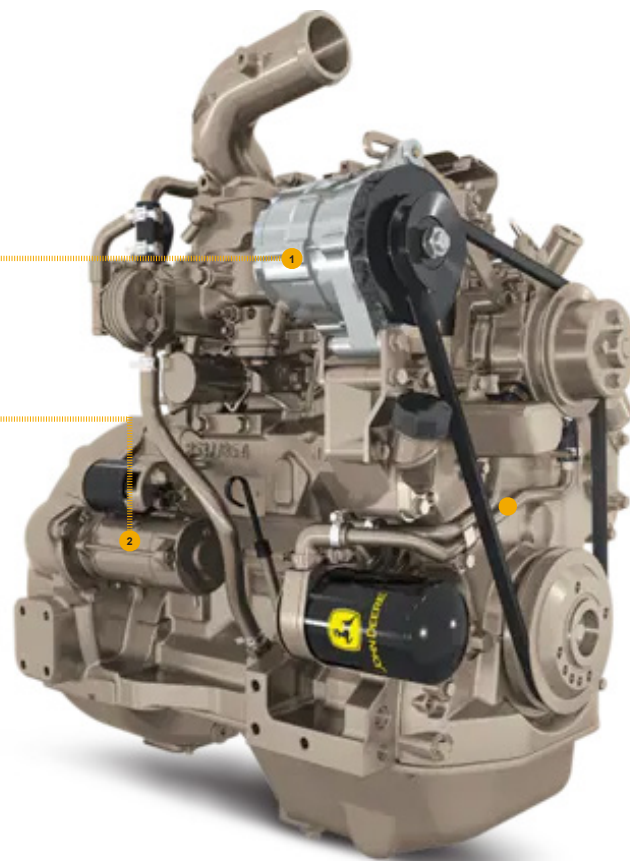


JOHN DEERE
Genuine Parts and Service



REMAN PARTS GUIDE

3029HG530 PowerTech™ EWX 2.9 L OEM Engine(FT4/Stage V)



ALTERNATOR

[SE501835](#) (REMAN FOR [RE509106](#))
(14 V, 65 A) (31AX)



STARTER

[SE501869](#) (REMAN FOR [RE519568](#))
(12V, 3.2 KW) (3085)



JOHN DEERE
Genuine Parts and Service