



REPLACEMENT PART GUIDE

3029DF124 PowerTech 2.9L OEM Engine

FAN BELT



- [T23526](#) (LGTH=1257 mm) (2401)
- [T24473](#) (LGTH=1295 mm) (2402)
- [R73785](#) (LGTH=1465 mm) (2404)

OIL FILTER



- [T19044](#) (5999, 912R)

SHORT BLOCK ASSEMBLY

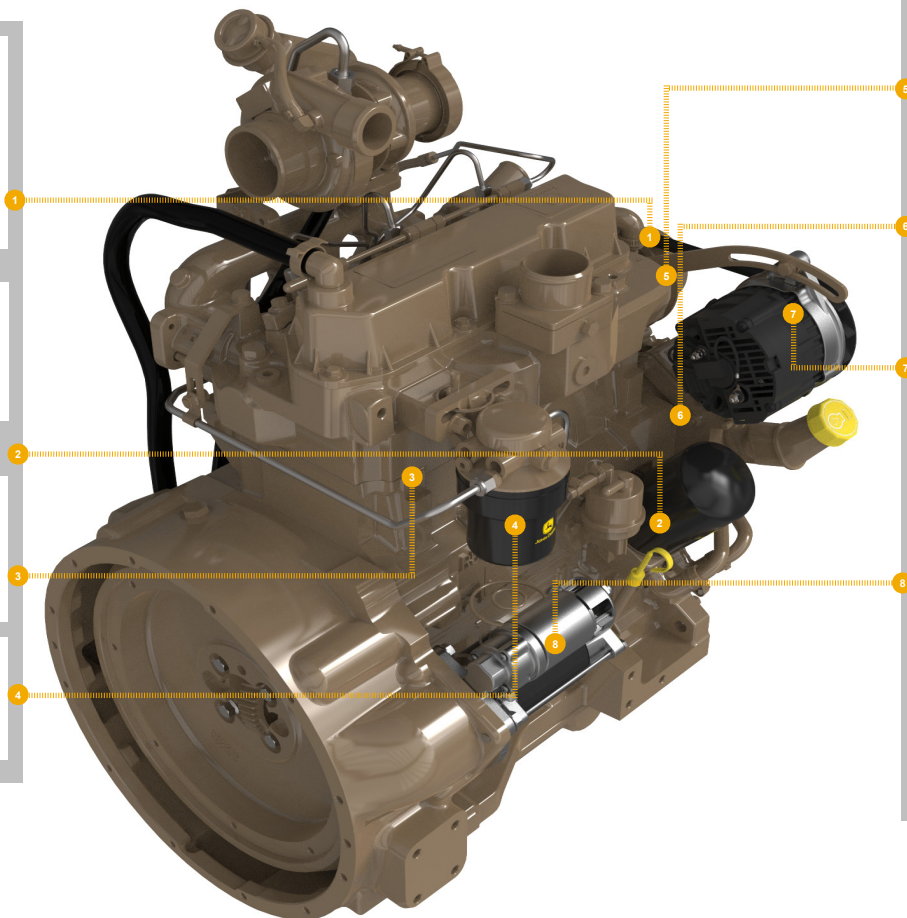


- [RE502325](#) (WITHOUT SIDE MOUNTS)
(PISTON PIN DIAMETER = 32 mm)
- (MARKED R502385)

FUEL FILTER



- [RE60021](#) (3561, 3575, 3595)
- 500 hrs of operation or every 12 months.



FAN PULLEY



- [R110081](#) (DIA = 150 mm) (2308) (2316)
- [R76979](#) (DIA = 135 mm) (2311)

CRANKSHAFT PULLEY



- [R501222](#) (DIA = 170 mm) (1312)
- [R113425](#) (DIA = 170 mm) (1313)
- [R117011](#) (DIA = 140 mm) (1330)

ALTERNATOR



- [RE509106](#) (ISKRA, 12V, 65A) (3123, 3143)
- [AL207585](#) (14V, 55A) (3126)

STARTER



- [RE540300](#) (DEMARREUR, 12V, 7KW) (3001)
- [DZ110081](#) (ISKRA, 12V, 3.4KW) (3008, 3010)
- [DZ110082](#) (ISKRA, 24V, 4KW) (3014, 3025)
- [RE523502](#) (ISKRA, 12V, 4.2KW, RH)
(3016, 3091)
- [RE528929](#) (ISKRA 24V) (3026, 3066)
- [RE516157](#) (ISKRA 3.2KW 12V) (3081)
- [RE519568](#) (ISKRA 3.2KW 12V) (3083)
- [DZ101853](#) (ISKRA 3.2KW 12V) (3039)



REMAN PARTS GUIDE

3029DF124 PowerTech 2.9L OEM Engine



CONNECTING ROD

[SE501571](#) (REMAN FOR [RE501674](#)) (4809)

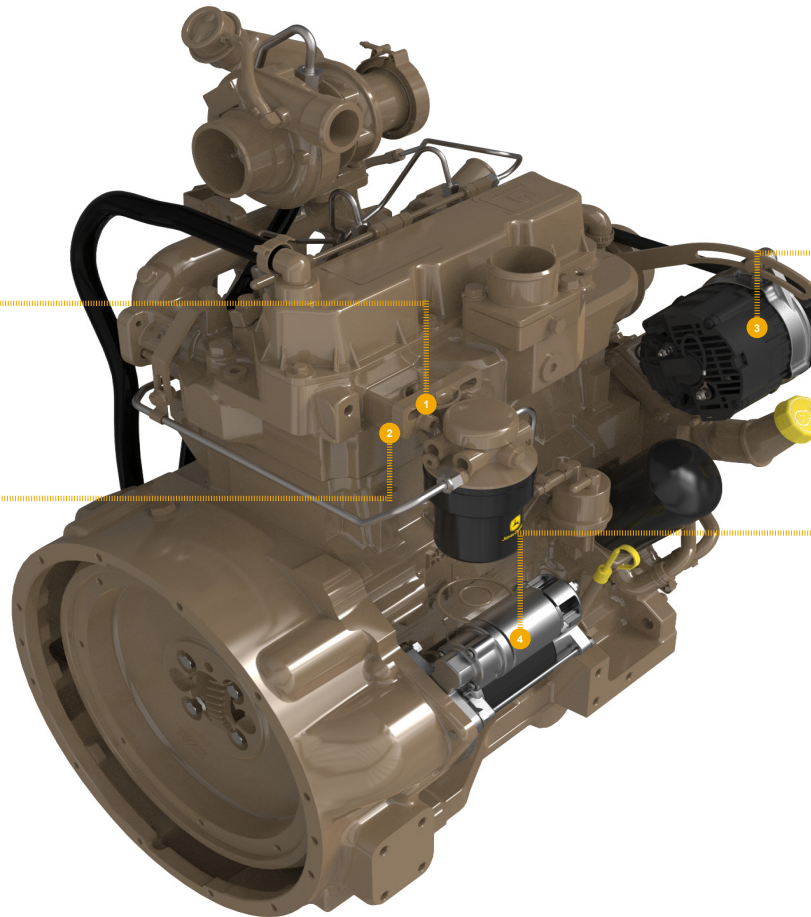
COMPLETE BLOCK ASSEMBLY

[SE501482](#) (9901)

May not be as illustrated, Includes cylinder head with valves and rocker arm assembly, oil pump assembly, complete gasket kit with front and rear seals.

[SE501486](#) (9901)

With Cylinder Block Option Code 4607 May not be as illustrated, Includes cylinder head with valves and rocker arm assembly, oil pump assembly, complete gasket kit with front and rear seals.



ALTERNATOR

[SE501346](#) (REMAN FOR [AL81436](#))
(BOSCH, 12 V, 55 A) (3126)

[SE501828](#) (REMAN FOR [RE506197](#))
(12 V, 55 A) (3123)

[SE501835](#) (REMAN FOR [RE509106](#))
(ISKRA, 14 V, 65 A) (3143)



STARTER

[SE501427](#) (REMAN FOR [AL110597](#) OR
[AL78760](#)) (3010) (12 V, 3.0 KW)

[SE501851](#) (REMAN FOR [RE507670](#))
(12 V, 3.1 KW) (3008)

[SE502286](#) (REMAN FOR [RE522738](#))
(24 V, 4 KW) (3014, 3025)

[SE501852](#) (REMAN FOR [RE516157](#))
(12 V, 3.2 KW) (3014, 3025)

[SE501869](#) (REMAN FOR [RE519568](#))
(12 V, 3.2 KW) (3083)

[SE502632](#) (REMAN FOR [RE523502](#))
(12 V, 4.2 KW) (3016, 3091)

[SE501402](#) (REMAN FOR [RE540300](#) OR
[TY24438](#)) (12 V, 7 KW) (3001)

[SE501400](#) (REMAN FOR [RE62916](#) OR
[RE50095](#)) (12 V, 2.5 KW) (3006)



JOHN DEERE
Genuine Parts and Service