

2700 PrecisionCut™ / 2700 E-Cut™ Riding Greens Mowers



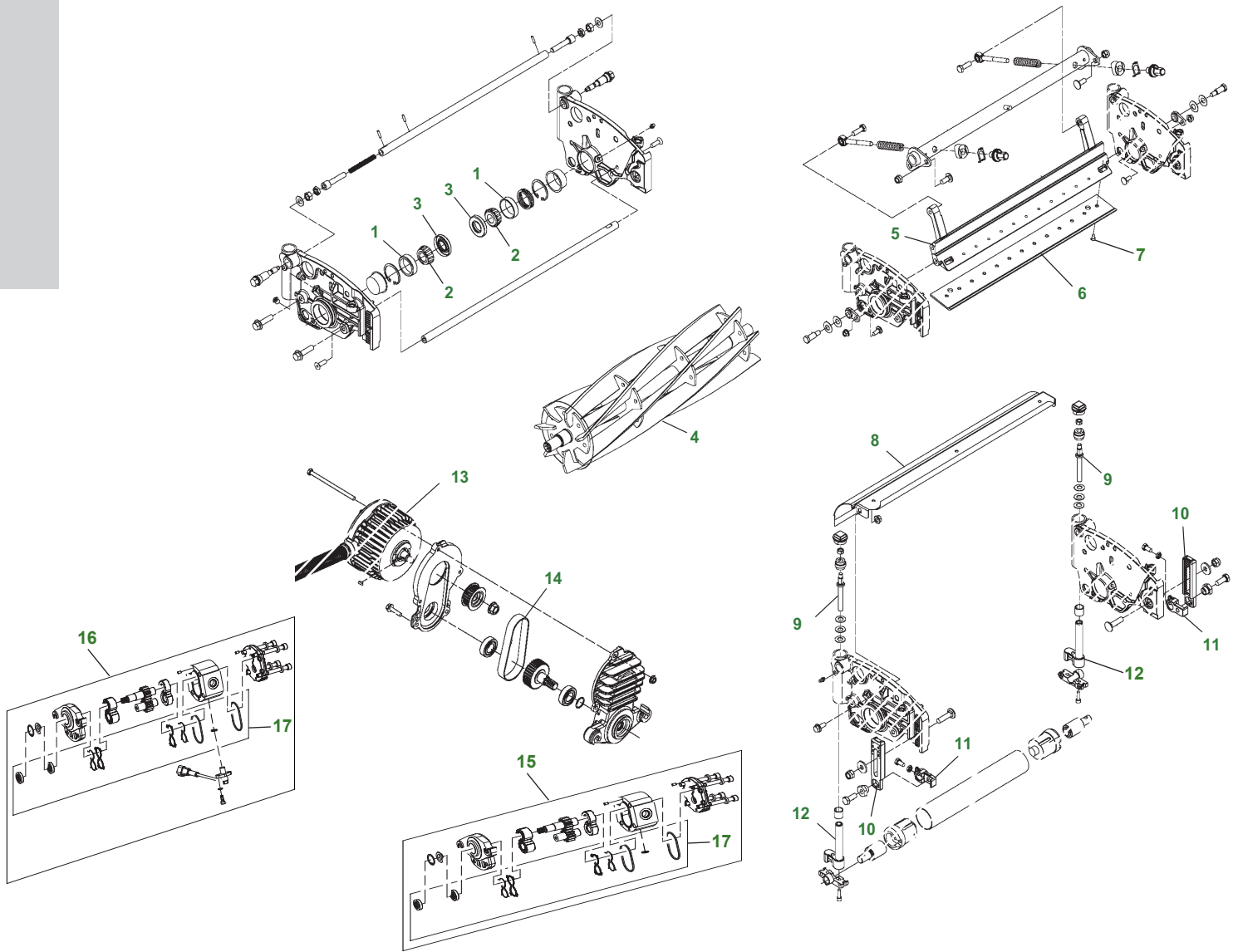
Key	Part No.	Description	Key	Part No.	Description
1	AM125424OIL FILTER	7	UC11954BELT - ALTERNATOR - 2700 E-CUT
2	LVU34503AIR FILTER - PRIMARY	8	AUC17177VOLTAGE REGULATOR - 2700 E-CUT
3	LVU34504AIR FILTER - SECONDARY	9	TCA26026OIL PRESSURE SWITCH
4	UC16183FUEL FILTER	10	TY25876BWET CHARGED BATTERY
5	LVU14258HYDRAULIC FILTER	11	AUC12681KEY
6	AUC17178ALTERNATOR - 100 A - 2700 E-CUT	12	AUC15805ROTARY SWITCH
7	UC11954BELT - ALTERNATOR - 2700 E-CUT			
8	AUC17177VOLTAGE REGULATOR - 2700 E-CUT			

Parts Needed in First 750 hours of Operation

Qty	Part No.	Item	Capacity	Interval In Hours
7	AM125424	Engine Oil Filter	1	100/200/300/400/500/600/700
14	TY26674	Plus-50™ II 15W-40 Engine Oil	1.9 L (2 qt)	100/200/300/400/500/600/700
1	LVU14258	Hydraulic Filter	1	50
1	TY24416	John Deere Multi-Purpose Hd Lithium Complex Grease		As Needed
1	LVU34503	Air Filter - Primary	1	500
1	LVU34504	Air Filter - Secondary	1	500
1	UC16183	Fuel Filter	1	750
2	MIU11020	Spark Plug	1	750

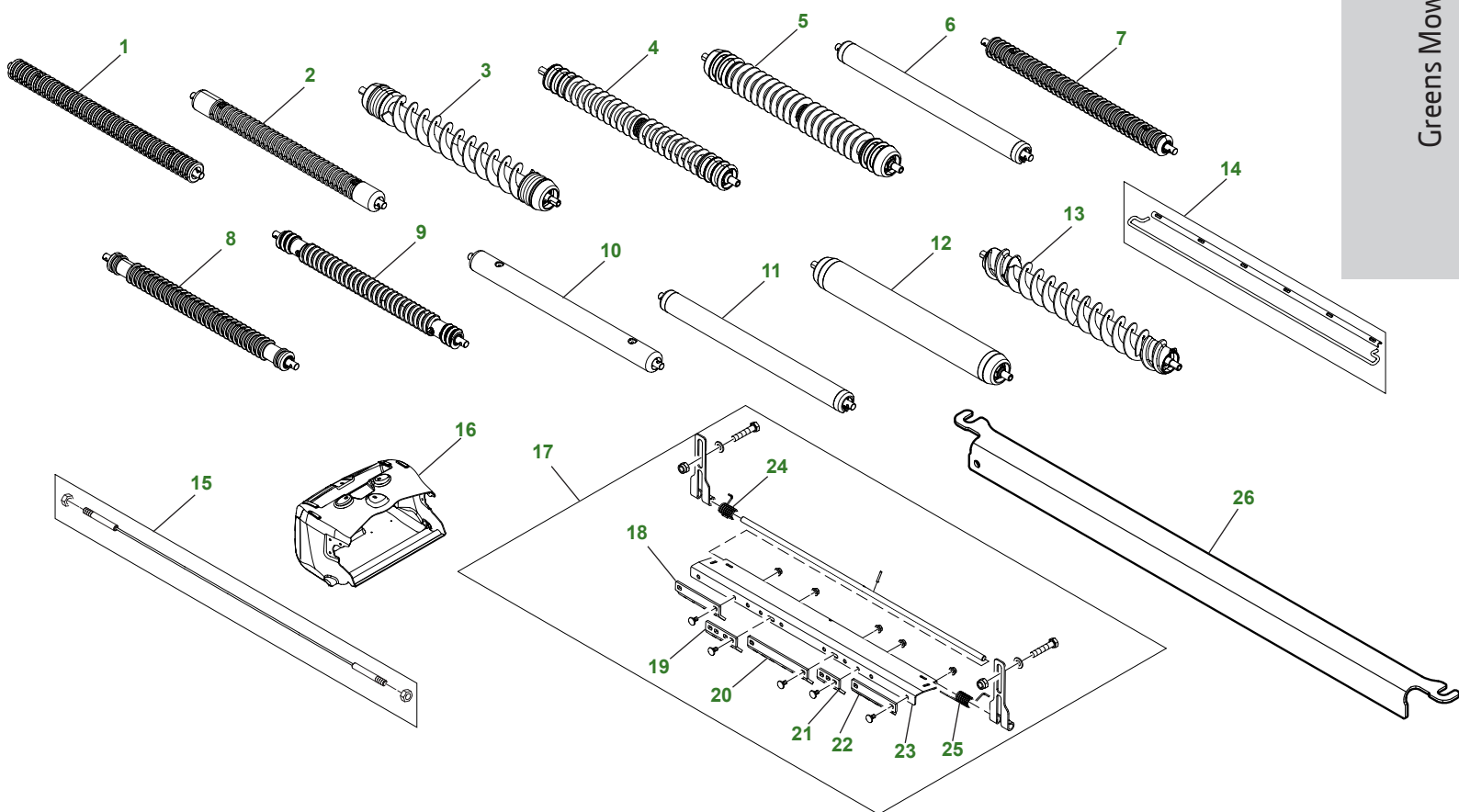
*Refer to Operators Manual for service intervals if using BioDiesel Fuel and Bio Hy-Gard.

2700 PrecisionCut™ / 2700 E-Cut™ 22 in. QA5 Reel Cutting Unit



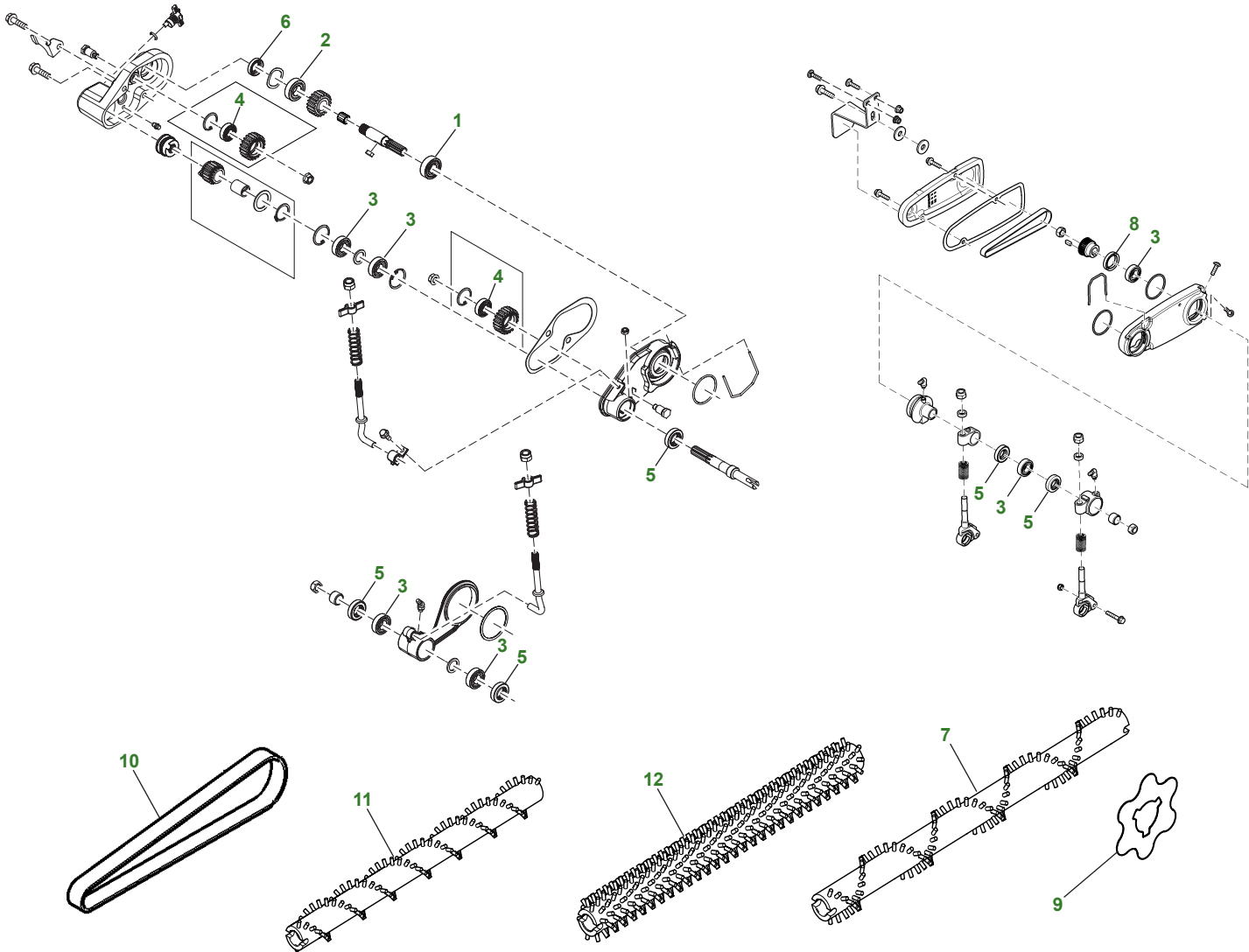
Key	Part No.	Description	Key	Part No.	Description
1	JD8226BEARING CUP	8	TCA19624SHIELD
2	JD8188BEARING CONE	9	TCU24328ADJUSTER HEIGHT OF CUT
3	ET14566SEAL	10	UC16108BRACKET FRONT ROLLER
4	TCA19350REEL - 7-BLADE	11	UC16109BRACKET - IF NO FTC/GTC OR UC18211
	TCA19351REEL - 11-BLADE			IF USING FTC/GTC, RH
	TCA23621REEL - 14-BLADE		UC18211BRACKET IF USING FTC/GTC OR
5	TCU35968SHOE			UC16109 IF NO FTC/GTC, LH
6	UC18873BEDKNIFE - STANDARD	12	AUC13512ADJUSTER HEIGHT OF CUT
	UC18869BEDKNIFE - STANDARD - TOURNAMENT	13	AUC12498ELECTRIC MOTOR - 80 inch - LONG HARNESS
	UC28156BEDKNIFE - FAIRWAY LOW-CUT - 7-BLADE			- 2700 E-CUT
	UC23562BEDKNIFE - FAIRWAY - HIGH-CUT		AUC12499ELECTRIC MOTOR - 45 inch - SHORT HARNESS
	UC19154BEDKNIFE - LOW-CUT - 11-BLADE			- 2700 E-CUT
	ET11066BEDKNIFE - 3.2 mm - STANDARD	14	TCU33535SYNCHRONOUS BELT - 2700 E-CUT
		W/HARDENED INSERT	15	TCA22470HYDRAULIC MOTOR - FRONT - 2700 PRECISION CUT
	TCU36165BEDKNIFE - HARDENED LESS	16	AUC10050HYDRAULIC MOTOR - REAR - 2700 PRECISION CUT
		AGGRESSIVE LOW-CUT - 11-BLADE, 14-BLADE	17	TCA19114SEAL KIT - 2700 PRECISION CUT
7	21M7194SCREW			

2700 PrecisionCut™ / 2700 E-Cut™ 22 in. Rollers, Scrapers and Grass Catchers



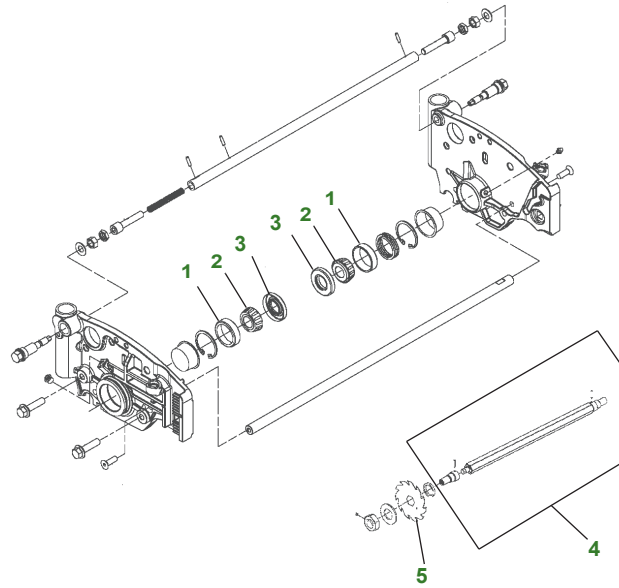
Key	Part No.	Description	Key	Part No.	Description
1	BM18481	ROLLER - CONTINUOUS MACHINE GROOVED FRONT (2 in.)	15	BM22995	SCRAPER - SMOOTH ROLLER (2 in.)
2	BM18712	ROLLER - EXTENDED MACHINE GROOVED FRONT (2 in.)	16	UC18745	GRASS CATCHER - BLACK
3	AMT1286	ROLLER - GROOVED END SPIRAL		UC18744	GRASS CATCHER - YELLOW
4	BM26408	ROLLER - GROOVED (2.5 in.)	17	BM23002	SCRAPER - GROOVED ROLLER (3 in.)
5	BM25317	ROLLER - HEAVY DUTY GROOVED DISC FRONT (3 in.)	18	MT5158	SCRAPER - LH END
6	BM24202	ROLLER - HOLLOW SMOOTH (2 in.)	19	MT2341	SCRAPER - 4 TOOTH
7	BE23416	ROLLER - MACHINE GROOVED FRONT (2 in.)	20	MT2340	SCRAPER - CENTER
8	BTC10267	ROLLER - RELIEVED GROOVED (2 in.)	21	MT2342	SCRAPER - 3 TOOTH
9	BM23566	ROLLER - RELIEVED SPIRAL GROOVED (2 in.)	22	MT5159	SCRAPER - RH END
10	BM18711	ROLLER - SMOOTH FRONT (2 in.)	23	TCU27038	SCRAPER
11	BM18480	ROLLER - HOLLOW SMOOTH FRONT (2 in.)	24	TCU27037	TORSION SPRING - LH
12	AMT2967	ROLLER - SMOOTH (2 in.)	25	TCU27036	TORSION SPRING - RH
13	BM19817	ROLLER - SPIRAL GROOVED FRONT (3 in.)	26	BUC10113	SCRAPER - SMOOTH FRONT (2 in.)
14	TCA19547	SCRAPER - MACHINE GROOVED ROLLER (2 in.)			

2700 PrecisionCut™ / 2700 E-Cut™ 22 in. QA5 FTC, GTC and Brushes



Key	Part No.	Description	Key	Part No.	Description
1	M802355BALL BEARING	8	TCU24983SEAL
2	JD8653BALL BEARING	9	MT2624KNIFE - FAIRWAY TENDER CONDITIONER
3	UC14112BALL BEARING		ET14707KNIFE - GREENS TENDER CONDITIONER
4	ET16027BALL BEARING	10	TCU32422SYNCHRONOUS BELT
5	UC14089SEAL	11	UC14646FRONT ROTARY TURF BRUSH
6	MT2622SEAL	12	UC14649FRONT ROTARY DENSE BRUSH
7	TCU38853REAR ROLLER POWER BRUSH			

2700 PrecisionCut™ / 2700 E-Cut™ 22 in. QA5 Vertical Cutting Unit



Key	Part No.	Description	Key	Part No.	Description
1	JD8226BEARING CUP	4	TCA19344SHAFT
2	JD8188BEARING CONE	5	TCU26776KNIFE
3	ET14566SEAL			