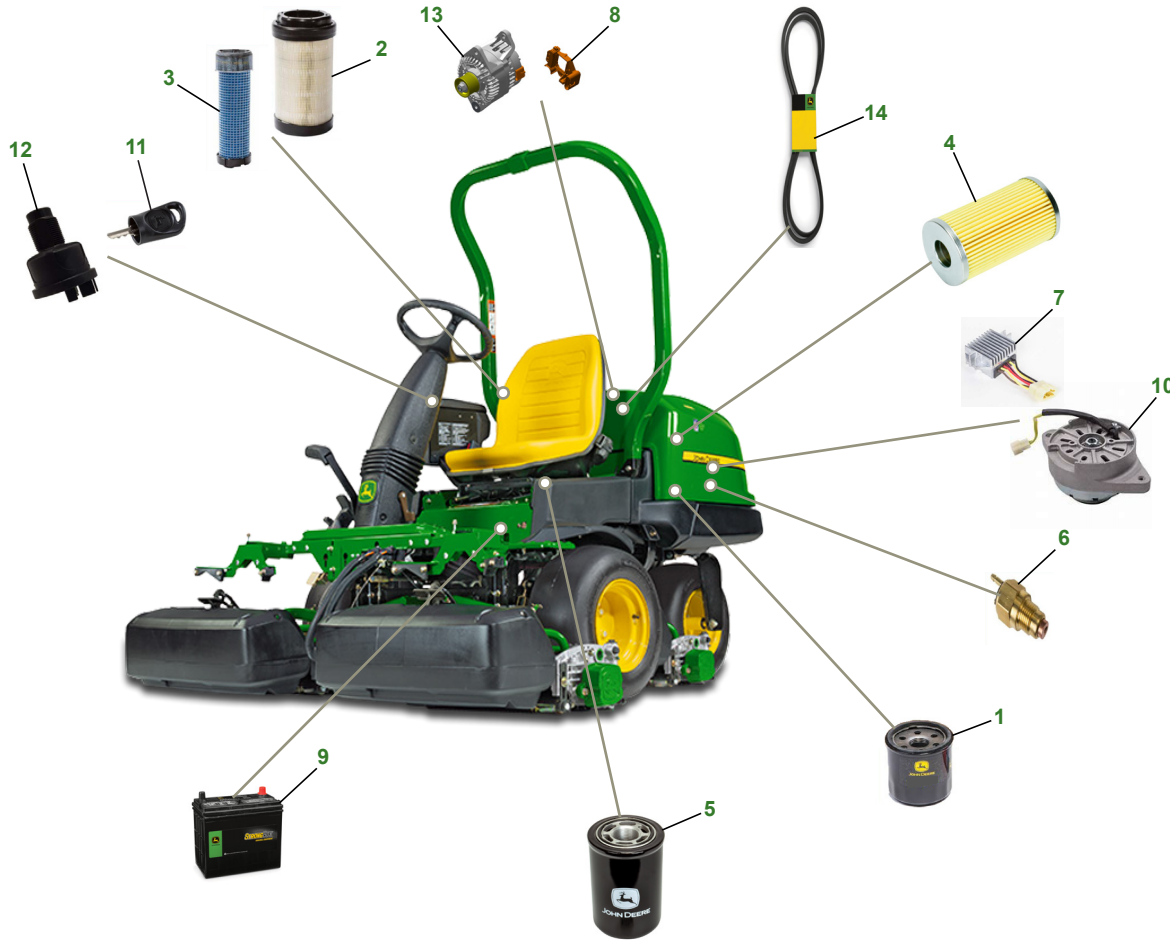


# 2550 PrecisionCut™ / 2550 E-Cut™ Riding Greens Mowers



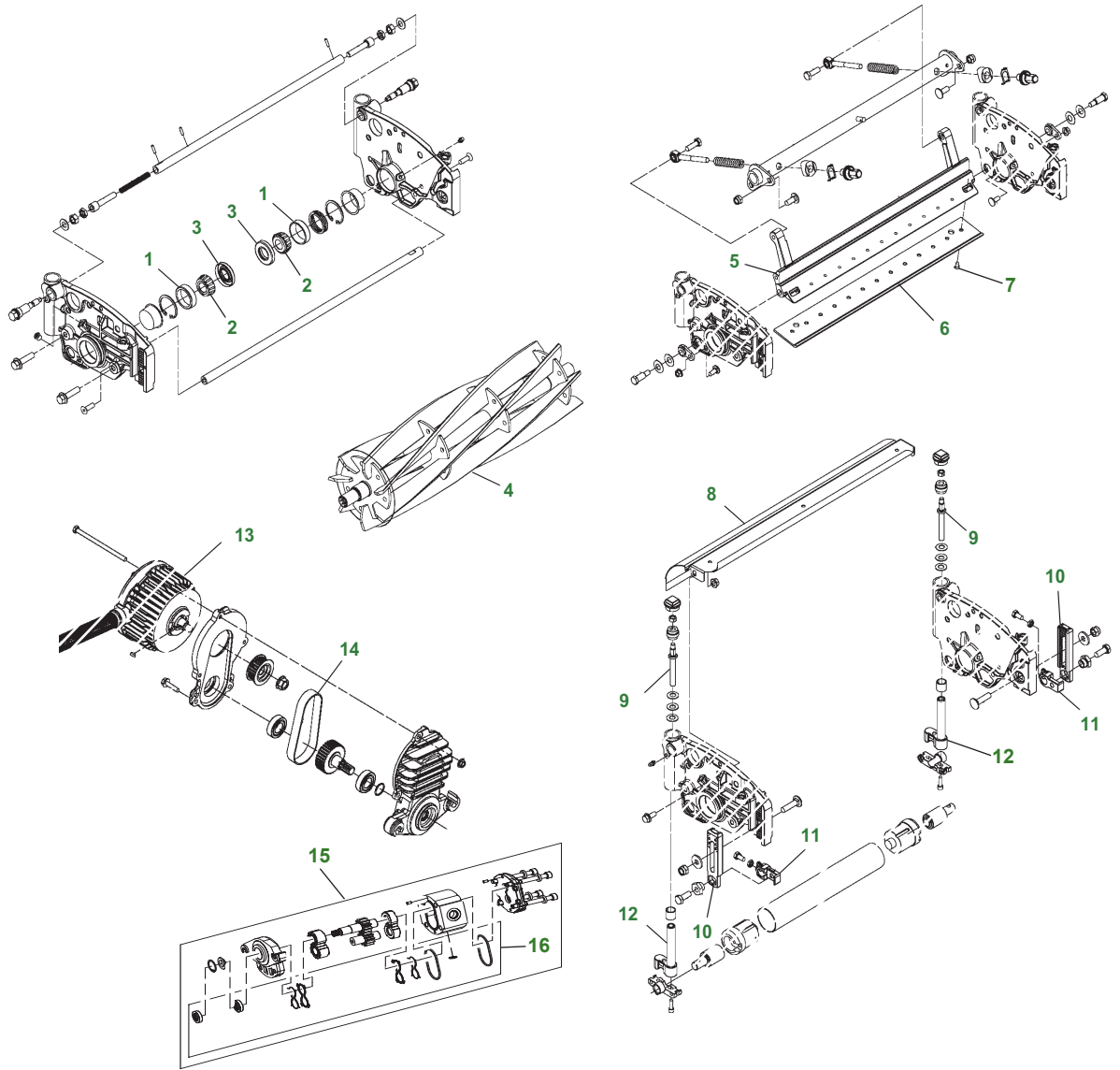
Key	Part No.	Description	Key	Part No.	Description
1	<a href="#">M806418</a>	.....OIL FILTER	9	<a href="#">TY25876B</a>	.....WET CHARGED BATTERY
2	<a href="#">LVU34503</a>	.....AIR FILTER - PRIMARY	10	<a href="#">AM879144</a>	.....ALTERNATOR - 22.5 A
3	<a href="#">LVU34504</a>	.....AIR FILTER - SECONDARY	11	<a href="#">AUC12681</a>	.....KEY
4	<a href="#">MIU804763</a>	.....FUEL FILTER	12	<a href="#">AUC15805</a>	.....ROTARY SWITCH
5	<a href="#">LVU14258</a>	.....HYDRAULIC FILTER	13	<a href="#">TCA20101</a>	.....ALTERNATOR - 100 A - 2550 E-CUT
6	<a href="#">CH15516</a>	.....WATER TEMP SWITCH	14	<a href="#">TCU24175</a>	.....BELT - ALTERNATOR - 2550 E-CUT
7	<a href="#">AUC12632</a>	.....VOLTAGE REGULATOR			
8	<a href="#">TCA20314</a>	.....VOLTAGE REGULATOR - 2550 E-CUT			

**Parts Needed in First 500 hours of Operation**

Qty	Part No.	Item	Capacity	Interval In Hours
1	<a href="#">M806418</a>	Engine Oil Filter	1	500
3	<a href="#">TY26674</a>	Plus-50™ II 15W-40 Engine Oil	2.2 L (2.3 qt)	500
1	<a href="#">LVU14258</a>	Hydraulic Filter	1	50
1	<a href="#">TY24416</a>	John Deere Multi-Purpose Hd Lithium Complex Grease		As Needed
1	<a href="#">LVU34503</a>	Air Filter - Primary	1	500
1	<a href="#">LVU34504</a>	Air Filter - Secondary	1	500
1	<a href="#">MIU804763</a>	Fuel Filter	1	500

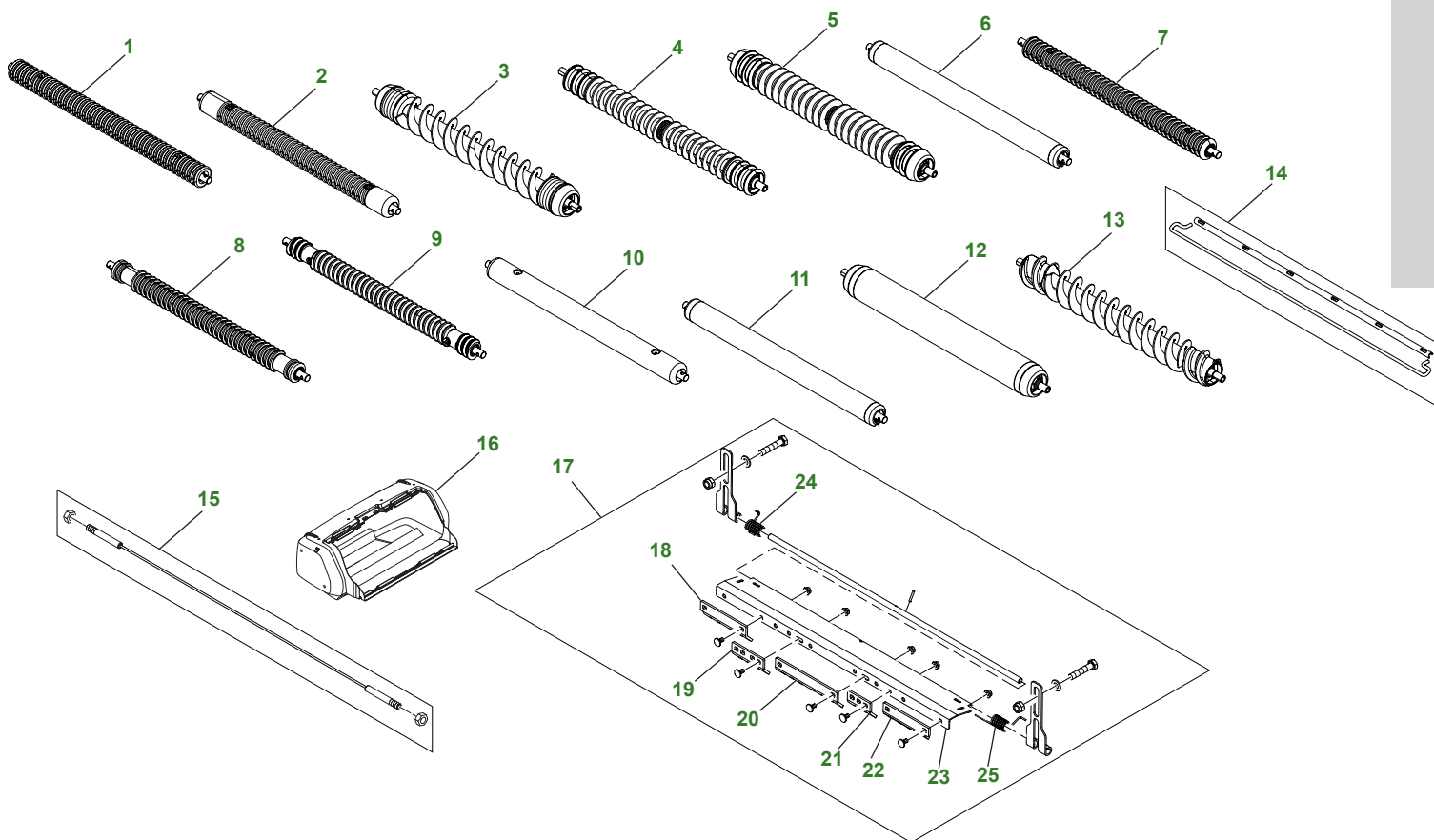
\*Refer to Operators Manual for service intervals if using BioDiesel Fuel and Bio Hy-Gard.

## 2550 PrecisionCut™ / 2550 E-Cut™ 22 in. QA5 Reel Cutting Unit



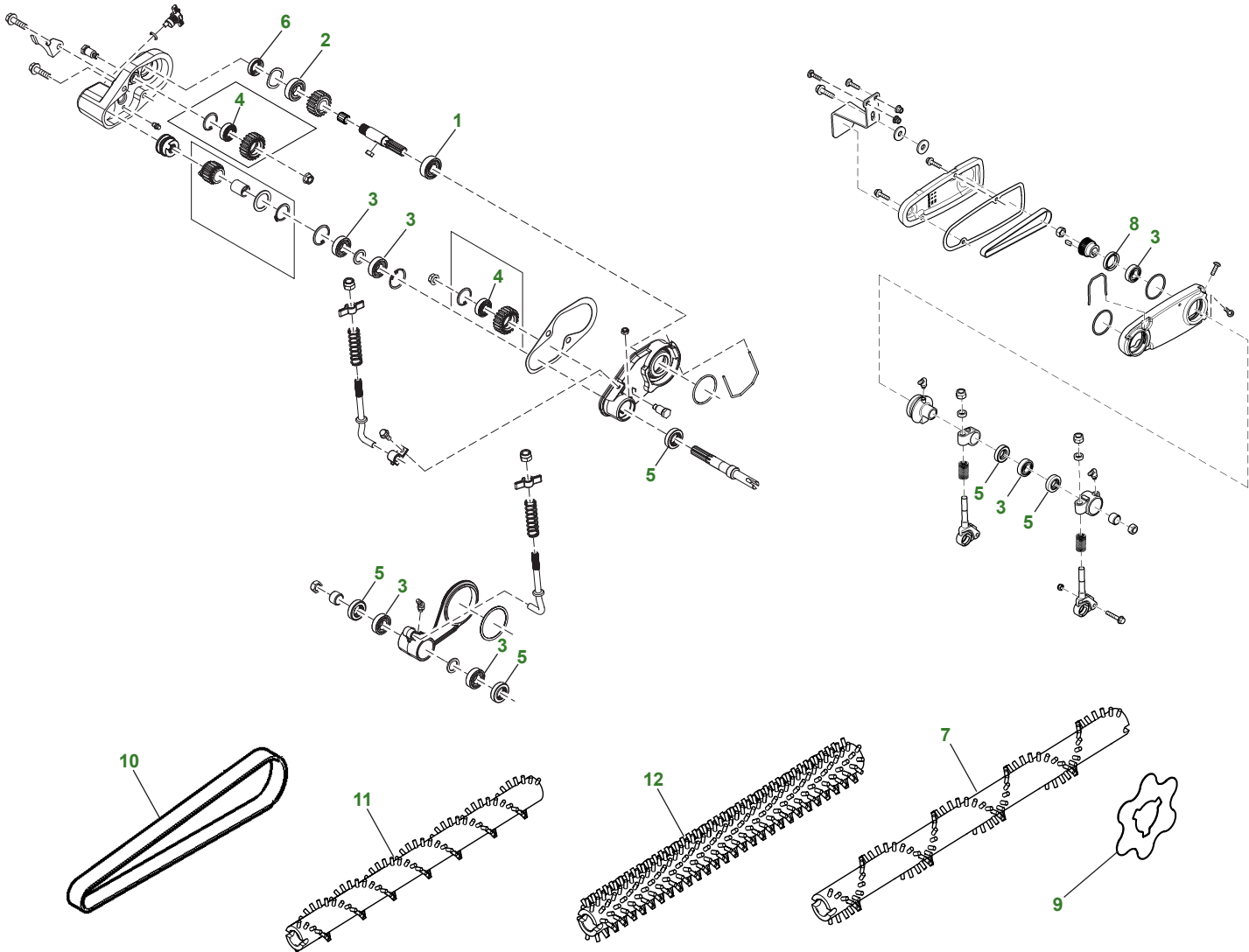
Key	Part No.	Description	Key	Part No.	Description
1	<a href="#">JD8226</a>	.....BEARING CUP	8	<a href="#">TCA19624</a>	.....SHIELD
2	<a href="#">JD8188</a>	.....BEARING CONE	9	<a href="#">TCU24328</a>	.....ADJUSTER HEIGHT OF CUT
3	<a href="#">ET14566</a>	.....SEAL	10	<a href="#">UC16108</a>	.....BRACKET FRONT ROLLER
4	<a href="#">TCA19350</a>	.....REEL - 7-BLADE	11	<a href="#">UC16109</a>	.....BRACKET - IF NO FTC/GTC OR UC18211 IF USING FTC/GTC, RH
	<a href="#">TCA19351</a>	.....REEL - 11-BLADE		<a href="#">UC18211</a>	.....BRACKET IF USING FTC/GTC OR UC16109 IF NO FTC/GTC, LH
	<a href="#">TCA23621</a>	.....REEL - 14-BLADE	12	<a href="#">AUC13512</a>	.....ADJUSTER HEIGHT OF CUT
5	<a href="#">TCU35968</a>	.....SHOE	13	<a href="#">AUC10827</a>	.....ELECTRIC MOTOR - 27 inch - HARNESS - 2550 E-CUT
6	<a href="#">UC18873</a>	.....BEDKNIFE - STANDARD	14	<a href="#">TCU33535</a>	.....SYNCHRONOUS BELT - 2550 E-CUT
	<a href="#">UC18869</a>	.....BEDKNIFE - STANDARD - TOURNAMENT	15	<a href="#">TCA22470</a>	.....HYDRAULIC MOTOR - 2550 PRECISION CUT
	<a href="#">UC28156</a>	.....BEDKNIFE - FAIRWAY LOW-CUT - 7-BLADE	16	<a href="#">TCA19114</a>	.....SEAL KIT - 2550 PRECISION CUT
	<a href="#">UC23562</a>	.....BEDKNIFE - FAIRWAY - HIGH-CUT			
	<a href="#">UC19154</a>	.....BEDKNIFE - LOW-CUT - 11-BLADE			
	<a href="#">ET11066</a>	.....BEDKNIFE - 3.2 mm - STANDARD W/HARDENED INSERT			
	<a href="#">TCU36165</a>	.....BEDKNIFE - HARDENED LESS AGGRESSIVE LOW-CUT - 11-BLADE, 14-BLADE			
7	<a href="#">21M7194</a>	.....SCREW			

# 2550 PrecisionCut™ / 2550 E-Cut™ 22 in. Rollers, Scrapers and Grass Catchers



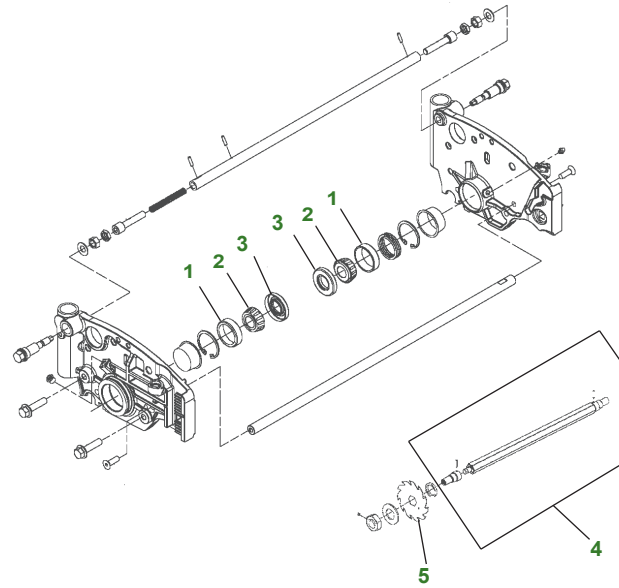
Key	Part No.	Description	Key	Part No.	Description
1	<a href="#">BM18481</a>	ROLLER - CONTINUOUS MACHINE GROOVED FRONT (2 in.)	15	<a href="#">BM22995</a>	SCRAPER - SMOOTH ROLLER (2 in.)
2	<a href="#">BM18712</a>	ROLLER - EXTENDED MACHINE GROOVED FRONT (2 in.)	16	<a href="#">TCA22233</a>	GRASS CATCHER - REAR
3	<a href="#">AMT1286</a>	ROLLER - GROOVED END SPIRAL	17	<a href="#">BM23002</a>	SCRAPER - GROOVED ROLLER (3 in.)
4	<a href="#">BM26408</a>	ROLLER - GROOVED (2.5 in.)	18	<a href="#">MT5158</a>	SCRAPER - LH END
5	<a href="#">BM25317</a>	ROLLER - HEAVY DUTY GROOVED DISC FRONT (3 in.)	19	<a href="#">MT2341</a>	SCRAPER - 4 TOOTH
6	<a href="#">BM24202</a>	ROLLER - HOLLOW SMOOTH (2 in.)	20	<a href="#">MT2340</a>	SCRAPER - CENTER
7	<a href="#">BE23416</a>	ROLLER - MACHINE GROOVED FRONT (2 in.)	21	<a href="#">MT2342</a>	SCRAPER - 3 TOOTH
8	<a href="#">BTC10267</a>	ROLLER - RELIEVED GROOVED (2 in.)	22	<a href="#">MT5159</a>	SCRAPER - RH END
9	<a href="#">BM23566</a>	ROLLER - RELIEVED SPIRAL GROOVED (2 in.)	23	<a href="#">TCU27038</a>	SCRAPER
10	<a href="#">BM18711</a>	ROLLER - SMOOTH FRONT (2 in.)	24	<a href="#">TCU27037</a>	TORSION SPRING - LH
11	<a href="#">BM18480</a>	ROLLER - HOLLOW SMOOTH FRONT (2 in.)	25	<a href="#">TCU27036</a>	TORSION SPRING - RH
12	<a href="#">AMT2967</a>	ROLLER - SMOOTH (2 in.)			
13	<a href="#">BM19817</a>	ROLLER - SPIRAL GROOVED FRONT (3 in.)			
14	<a href="#">TCA19547</a>	SCRAPER - MACHINE GROOVED ROLLER (2 in.)			

# 2550 PrecisionCut™ / 2550 E-Cut™ 22 in. QA5 FTC, GTC and Brushes



Key	Part No.	Description	Key	Part No.	Description
1	<a href="#">M802355</a>	BALL BEARING	8	<a href="#">TCU24983</a>	SEAL
2	<a href="#">JD8653</a>	BALL BEARING	9	<a href="#">MT2624</a>	KNIFE - FAIRWAY TENDER CONDITIONER
3	<a href="#">UC14112</a>	BALL BEARING		<a href="#">ET14707</a>	KNIFE - GREENS TENDER CONDITIONER
4	<a href="#">ET16027</a>	BALL BEARING	10	<a href="#">TCU32422</a>	SYNCHRONOUS BELT
5	<a href="#">UC14089</a>	SEAL	11	<a href="#">UC14646</a>	FRONT ROTARY TURF BRUSH
6	<a href="#">MT2622</a>	SEAL	12	<a href="#">UC14649</a>	FRONT ROTARY DENSE BRUSH
7	<a href="#">TCU38853</a>	REAR ROLLER POWER BRUSH			

# 2550 PrecisionCut™ / 2550 E-Cut™ 22 in. QA5 Vertical Cutting Unit



Key	Part No.	Description	Key	Part No.	Description
1	<a href="#">JD8226</a>	.....BEARING CUP	4	<a href="#">TCA19344</a>	.....SHAFT
2	<a href="#">JD8188</a>	.....BEARING CONE	5	<a href="#">TCU26776</a>	.....KNIFE
3	<a href="#">ET14566</a>	.....SEAL			