

50 - 72 - F O O T M A X I M U M R E A C H



JOHN DEERE

D

EXCAVATORS

200D LC | 240D LC | 270D LC | 350D LC



**SUPER-LONG
FRONTS**

Specifications



Operating Weights

200D LC

240D LC

270D LC

With Full Fuel Tank; 175-lb. (79 kg) Operator; and 32-in. (800 mm) Triple Semi-Grouser Shoes			
0.50-cu.-yd. (0.38 m ³), 30-in. (762 mm)-Wide, 835-lb. (379 kg) Bucket; 20-ft. 9-in. (6.33 m) Arm; 10,472-lb. (4750 kg) Standard Counterweight with Optional 2,000-lb. (907 kg) Counterweight; and 14-ft. 8-in. (4.46 m) Undercarriage Length with 7-ft. 10-in. (2.39 m)-Wide Gauge	51,640 lb. (23 424 kg)	
0.50-cu.-yd. (0.38 m ³), 30-in. (762 mm)-Wide, 835-lb. (379 kg) Bucket; 25-ft. 10-in. (7.88 m) Arm; 11,904-lb. (5400 kg) Standard Counterweight with Optional 3,308-lb. (1500 kg) Counterweight; and 15-ft. 3-in. (4.64 m) Undercarriage Length with 8-ft. 6-in. (2.59 m)-Wide Gauge	59,928 lb. (27 183 kg)	
0.50-cu.-yd. (0.38 m ³), 30-in. (762 mm)-Wide, 835-lb. (379 kg) Bucket; 25-ft. 10-in. (7.88 m) Arm; 13,447-lb. (6100 kg) Standard Counterweight with Optional 2,205-lb. (1000 kg) Counterweight; and 16-ft. 2-in. (4.94 m) Undercarriage Length with 8-ft 6-in. (2.59 m)-Wide Gauge	64,913 lb. (29 444 kg)	

200D LC Buckets

Type <i>standard</i>	<i>ditching</i>
Width 30 in. (762 mm)	60 in. (1524 mm)
Capacity, SAE (heaped) 0.50 cu. yd. (0.38 m ³)	0.85 cu. yd. (0.65 m ³)*
Weight 800 lb. (363 kg)	890 lb. (404 kg)
Tip Radius 44.7 in. (1135 mm)	37.3 in. (945 mm)
Teeth six TF23D	none
Drainage Holes no	yes

*Note: 0.85-cu. yd. bucket restricted to materials below 1,854 lb./cu. yd.

240D LC Buckets

Type <i>standard</i>	<i>ditching</i>
Width 30 in. (762 mm)	60 in. (1524 mm)
Capacity, SAE (heaped) 0.50 cu. yd. (0.38 m ³)	0.85 cu. yd. (0.65 m ³)*
Weight 800 lb. (363 kg)	890 lb. (404 kg)
Tip Radius 44.7 in. (1135 mm)	37.3 in. (945 mm)
Teeth six TF23D	none
Drainage Holes no	yes

*Note: 0.85-cu. yd. bucket restricted to materials below 1,854 lb./cu. yd.

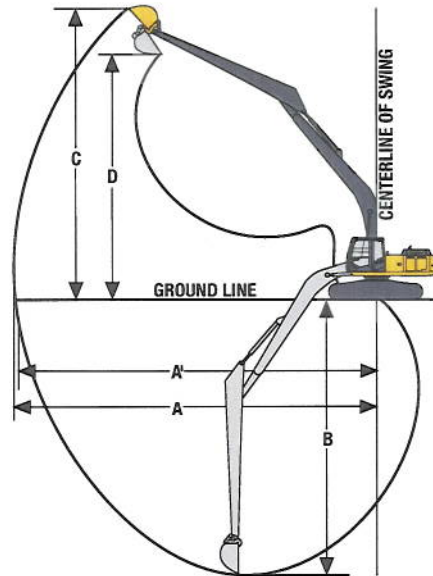
270D LC Buckets

Type <i>standard</i>	<i>ditching</i>
Width 30 in. (762 mm)	60 in. (1524 mm)
Capacity, SAE (heaped) 0.5 cu. yd. (0.38 m ³)	0.9 cu. yd. (0.69 m ³)
Weight 800 lb. (363 kg)	1,020 lb. (463 kg)
Tip Radius 44.7 in. (1135 mm)	38.6 in. (981 mm)
Teeth six TF23D	none
Drainage Holes no	yes

*Note: 0.9-cu. yd. bucket restricted to materials below 1,854 lb./cu. yd.

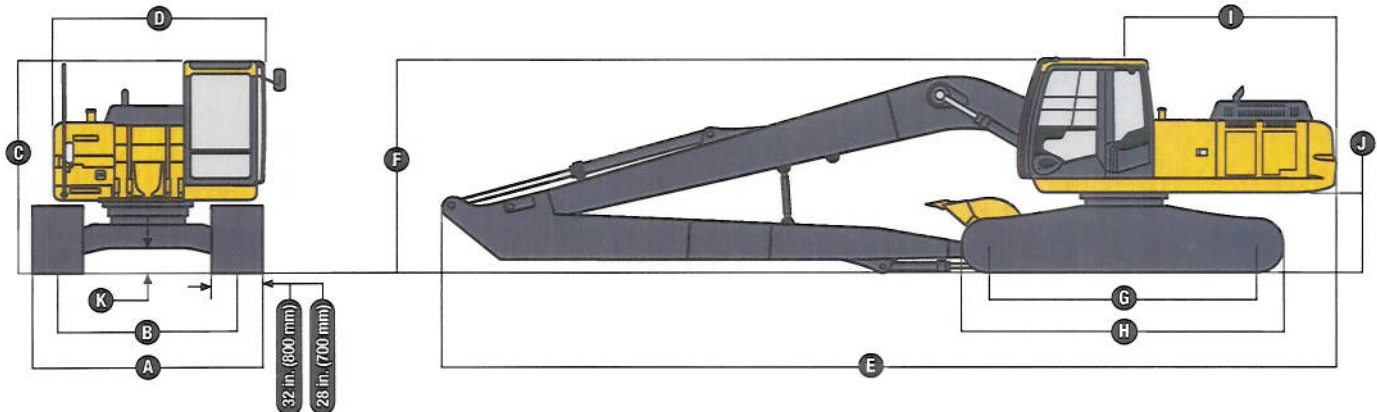
Operating Information

	200D LC	240D LC	270D LC
Arm Length	20 ft. 9 in. (6.33 m)	25 ft. 10 in. (7.88 m)	25 ft. 10 in. (7.88 m)
Arm Force with 30-in. (762 mm) Bucket	10,917 lb. (4922 kg)	11,028 lb. (5002 kg)	11,028 lb. (5002 kg)
Bucket Digging Force with 30-in. (762 mm) Bucket	17,703 lb. (8030 kg)	17,656 lb. (8009 kg)	17,656 lb. (8009 kg)
Bucket Cutting Edge Tip Radius	.45 in. (1135 mm)	45 in. (1135 mm)	45 in. (1135 mm)
Lifting Capacity Over Front or Rear @ Ground Level 20-ft. (6.1 m) Reach	11,260 lb. (5107 kg)	11,640 lb. (5280 kg)	14,520 lb. (6586 kg)
A Maximum Reach	.50 ft. 4 in. (15 330 mm)	59 ft. 11 in. (18 250 mm)	59 ft. 11 in. (18 250 mm)
A' Maximum Reach @ Ground Level	.50 ft. 0 in. (15 220 mm)	59 ft. 7 in. (18 150 mm)	59 ft. 6 in. (18 140 mm)
B Maximum Digging Depth	.39 ft. 4 in. (11 980 mm)	47 ft. 1 in. (14 350 mm)	47 ft. 4 in. (14 420 mm)
C Maximum Cutting Height	.44 ft. 3 in. (13 500 mm)	51 ft. 10 in. (15 810 mm)	48 ft. 7 in. (14 820 mm)
D Maximum Dumping Height	.36 ft. 5 in. (11 100 mm)	44 ft. (13 410 mm)	40 ft. 11 in. (12 460 mm)



Dimensions

A With 28-in. (700 mm) Semi-Grouser Shoes	N/A	10 ft. 10 in. (3.29 m)	N/A
With 32-in. (800 mm) Semi-Grouser Shoes	10 ft. 6 in. (3.19 m)	11 ft. 1 in. (3.39 m)	11 ft. 1 in. (3.39 m)
B Gauge Width	7 ft. 10 in. (2.39 m)	8 ft. 6 in. (2.59 m)	8 ft. 6 in. (2.59 m)
C Cab Height	9 ft. 8 in. (2.95 m)	9 ft. 11 in. (3.01 m)	10 ft. 2 in. (3.11 m)
D Upperstructure Width	8 ft. 11 in. (2.71 m)	9 ft. 6 in. (2.89 m)	9 ft. 6 in. (2.89 m)
E Overall Length	39 ft. 3 in. (12.08 m)	45 ft. 7 in. (13.89 m)	45 ft. 5 in. (13.85 m)
F Transport Height	10 ft. 7 in. (3.24 m)	10 ft. 8 in. (3.26 m)	10 ft. 8 in. (3.25 m)
G Distance Between Idler/Sprocket Centerline	12 ft. 0 in. (3.66 m)	12 ft. 7 in. (3.84 m)	13 ft. 3 in. (4.05 m)
H Undercarriage Length	14 ft. 8 in. (4.46 m)	15 ft. 3 in. (4.64 m)	16 ft. 2 in. (4.94 m)
I Rear-End Swing Radius	9 ft. 0 in. (2.75 m)	9 ft. 8 in. (2.94 m)	9 ft. 8 in. (2.94 m)
J Counterweight Clearance	3 ft. 5 in. (1030 mm)	3 ft. 7 in. (1090 mm)	3 ft. 10 in. (1180 mm)
K Ground Clearance	1 ft. 6 in. (450 mm)	1 ft. 6 in. (460 mm)	1 ft. 8 in. (510 mm)



200D LC Lift Capacities

Boldface italic type indicates hydraulic-limited capacities; lightface type indicates stability-limited capacities, in lb. (kg). Ratings at bucket lift hook, machine equipped with 0.50-cu. yd. (0.38 m³), 30-in. (762 mm) wide, 835-lb. (379 kg) bucket; and situated on firm, uniform supporting surface. Total load includes weight of cables, hook, etc. Figures do not exceed 87 percent of hydraulic capacities or 75 percent of weight needed to tip machine. Lift capacities are with power boost and are based on SAE standard J1097.

Load Point Height	10 ft. (3.05 m)		20 ft. (6.10 m)		30 ft. (9.14 m)		40 ft. (12.19 m)	
	Over Front	Over Side	Over Front	Over Side	Over Front	Over Side	Over Front	Over Side
<i>With 20-ft. 9-in. (7.88 m) arm, 32-in. (800 mm) shoes, and 1,323-lb. (600 kg) additional counterweight</i>								
30 ft. (9.14 m)							1,700 (771)	1,700 (771)
25 ft. (7.62 m)							3,160 (1433)	3,160 (1433)
20 ft. (6.10 m)							3,890 (1765)	3,890 (1765)
15 ft. (4.57 m)					4,630 (2100)	4,630 (2100)	4,330 (1964)	3,790 (1719)
10 ft. (3.05 m)					5,400 (2449)	5,400 (2449)	4,650 (2109)	3,630 (1647)
5 ft. (1.52 m)			9,340 (4237)	9,340 (4237)	6,240 (2830)	6,240 (2830)	5,010 (2273)	3,460 (1569)
Ground Line	3,310 (1501)	3,310 (1501)	11,260 (5108)	9,600 (4355)	7,040 (3193)	5,340 (2422)	5,360 (2431)	3,290 (1492)
-5 ft. (-1.52 m)	4,780 (2168)	4,780 (2168)	12,570 (5702)	8,920 (4046)	7,700 (3493)	5,020 (2277)	5,320 (2413)	3,150 (1429)
-10 ft. (-3.05 m)	6,760 (3066)	6,760 (3066)	13,250 (6010)	8,560 (3883)	8,010 (3633)	4,800 (2177)	5,220 (2368)	3,050 (1383)
-15 ft. (-4.57 m)	9,090 (4123)	9,090 (4123)	13,380 (6069)	8,430 (3824)	7,890 (3579)	4,690 (2127)	5,190 (2354)	3,020 (1370)
-20 ft. (-6.10 m)	11,850 (5375)	11,850 (5375)	12,980 (5888)	8,480 (3847)	7,880 (3574)	4,680 (2123)	3,520 (1597)	3,080 (1397)
-25 ft. (-7.64 m)	15,280 (6931)	15,280 (6931)	12,000 (5443)	8,670 (3933)	7,590 (3443)	4,790 (2173)		
-30 ft. (-9.14 m)	18,340 (8319)	18,340 (8319)	10,240 (4645)	9,030 (4096)	6,140 (2785)	5,070 (2300)		
-35 ft. (-10.67 m)			7,060 (3202)	7,060 (3202)				

240D LC Lift Capacities

Boldface italic type indicates hydraulic-limited capacities; lightface type indicates stability-limited capacities, in lb. (kg). Ratings at bucket lift hook, machine equipped with 0.50-cu. yd. (0.38 m³), 30-in. (762 mm) wide, 835-lb. (379 kg) bucket; and situated on firm, uniform supporting surface. Total load includes weight of cables, hook, etc. Figures do not exceed 87 percent of hydraulic capacities or 75 percent of weight needed to tip machine. Lift capacities are with power boost and are based on SAE standard J1097.

Load Point Height	10 ft. (3.05 m)		20 ft. (6.10 m)		30 ft. (9.14 m)		40 ft. (12.19 m)	
	Over Front	Over Side	Over Front	Over Side	Over Front	Over Side	Over Front	Over Side
<i>With 25-ft. 10-in. (7.88 m) arm, 32-in. (800 mm) shoes, and 3,308-lb. (1500 kg) additional counterweight</i>								
20 ft. (6.10 m)							3,430 (1556)	3,430 (1556)
15 ft. (4.57 m)							3,800 (1724)	3,800 (1724)
10 ft. (3.05 m)					5,150 (2336)	5,150 (2336)	4,230 (1919)	4,230 (1919)
5 ft. (1.52 m)			9,560 (4336)	9,560 (4336)	6,090 (2762)	6,090 (2762)	4,690 (2127)	4,690 (2127)
Ground Line	2,190 (993)	2,190 (993)	11,640 (5280)	11,640 (5280)	7,000 (3175)	7,000 (3175)	5,150 (2336)	4,460 (2023)
-5 ft. (-1.52 m)	3,350 (1520)	3,350 (1520)	13,130 (5956)	11,300 (5126)	7,790 (3533)	6,520 (2957)	5,580 (2531)	4,180 (1896)
-10 ft. (-3.05 m)	4,850 (2200)	4,850 (2200)	14,040 (6368)	10,670 (4840)	8,400 (3810)	6,110 (2771)	5,940 (2694)	3,950 (1792)
-15 ft. (-4.57 m)	6,540 (2966)	6,540 (2966)	14,460 (6559)	10,370 (4704)	8,810 (3996)	5,850 (2654)	6,190 (2808)	3,790 (1719)
-20 ft. (-6.10 m)	8,430 (3824)	8,430 (3824)	14,480 (6568)	10,310 (4677)	9,010 (4087)	5,720 (2595)	6,300 (2858)	3,710 (1683)
-25 ft. (-7.64 m)	10,590 (4804)	10,590 (4804)	14,110 (6400)	10,430 (4731)	8,950 (4060)	5,710 (2590)	6,250 (2835)	3,710 (1683)
-30 ft. (-9.14 m)	13,120 (5951)	13,120 (5951)	13,330 (6046)	10,700 (4853)	8,590 (3896)	5,820 (2640)	5,900 (2676)	3,820 (1733)
-35 ft. (-10.67 m)	16,250 (7371)	16,250 (7371)	12,030 (5457)	11,130 (5048)	7,810 (3543)	6,070 (2753)	4,990 (2263)	4,090 (1855)
-40 ft. (-12.19 m)	17,500 (7938)	17,500 (7938)	9,970 (4522)	9,970 (4522)	6,320 (2867)	6,320 (2867)		

270D LC Lift Capacities

Boldface italic type indicates hydraulic-limited capacities; lightface type indicates stability-limited capacities, in lb. (kg). Ratings at bucket lift hook, machine equipped with 0.50-cu. yd. (0.38 m³), 30-in. (762 mm) wide, 835-lb. (379 kg) bucket; and situated on firm, uniform supporting surface. Total load includes weight of cables, hook, etc. Figures do not exceed 87 percent of hydraulic capacities or 75 percent of weight needed to tip machine. Lift capacities are with power boost and are based on SAE standard J1097.

Load Point Height	10 ft. (3.05 m)		20 ft. (6.10 m)		30 ft. (9.14 m)		40 ft. (12.19 m)	
	Over Front	Over Side	Over Front	Over Side	Over Front	Over Side	Over Front	Over Side
<i>With 25-ft. 10-in. (7.88 m) arm, 32-in. (800 mm) shoes, and 2,205-lb. (1000 kg) additional counterweight</i>								
15 ft. (4.57 m)							4,790 (2173)	4,790 (2173)
10 ft. (3.05 m)							5,370 (2436)	5,370 (2436)
5 ft. (1.52 m)			11,810 (5357)	11,810 (5357)	7,620 (3456)	7,620 (3456)	5,990 (2717)	5,660 (2567)
Ground Line	2,200 (998)	2,200 (998)	14,520 (6586)	14,460 (6559)	8,820 (4001)	8,310 (3769)	6,600 (2994)	5,330 (2418)
-5 ft. (-1.52 m)	3,390 (1538)	3,390 (1538)	16,120 (7312)	13,370 (6065)	9,870 (4477)	7,750 (3515)	7,180 (3257)	5,050 (2291)
-10 ft. (-3.05 m)	4,900 (2223)	4,900 (2223)	14,640 (6641)	12,750 (5783)	10,690 (4849)	7,350 (3334)	7,660 (3475)	4,820 (2186)
-15 ft. (-4.57 m)	6,610 (2998)	6,610 (2998)	15,410 (6990)	12,470 (5656)	11,270 (5112)	7,090 (3216)	8,020 (3638)	4,670 (2118)
-20 ft. (-6.10 m)	8,510 (3860)	8,510 (3860)	17,400 (7893)	12,410 (5629)	11,570 (5248)	6,970 (3162)	8,120 (3683)	4,590 (2082)
-25 ft. (-7.64 m)	10,680 (4844)	10,680 (4844)	18,100 (8210)	12,540 (5688)	11,560 (5244)	6,970 (3162)	8,130 (3688)	4,600 (2087)
-30 ft. (-9.14 m)	13,240 (6006)	13,240 (6006)	17,250 (7824)	12,810 (5811)	11,190 (5076)	7,080 (3211)	7,820 (3547)	4,710 (2136)
-35 ft. (-10.67 m)	16,410 (7443)	16,410 (7443)	15,770 (7153)	13,250 (6010)	10,320 (4681)	7,330 (3325)		
-40 ft. (-12.19 m)	19,930 (9040)	19,930 (9040)	13,360 (6060)	13,360 (6060)	8,560 (3883)	7,780 (3529)		

Operating Weights

350D LC (18 m)

350D LC (22 m)

With Full Fuel Tank; 175-lb. (79 kg) Operator; and 32-in. (800 mm) Triple Semi-Grouser Shoes		
0.65-cu.-yd. (0.50 m ³), 36-in. (914.4 mm)-Wide, 967-lb. (439 kg) Bucket; 24-ft. 8-in. (7.52 m) Arm; 16,314-lb. (7400 kg) Standard Counterweight with Optional 3,500-lb. (1588 kg) Counterweight; and 16-ft. 2-in. (4.95 m) Undercarriage Length with 8-ft. 6-in. (2.59 m)-Wide Gauge	80,257 lb. (36 404 kg)
0.50-cu.-yd. (0.38 m ³), 30-in. (762 mm)-Wide, 835-lb. (379 kg) Bucket; 30-ft. 10-in. (9.40 m) Arm; 16,314-lb. (7400 kg) Standard Counterweight with Optional 3,500-lb. (1588 kg) Counterweight; and 16-ft. 2-in. (4.95 m) Undercarriage Length with 8-ft. 6-in. (2.59 m)-Wide Gauge	81,007 lb. (36 744 kg)

350D LC (18 m) Buckets

	<i>standard</i>	<i>ditching</i>
Type	standard	ditching
Width	.36 in. (914 mm)	60 in. (1524 mm)
Capacity, SAE (heaped)	.065 cu. yd. (0.5 m ³)	1.44 cu. yd. (1.1 m ³)
Weight	.967 lb. (439 kg)	1,500 lb. (680 kg)
Tip Radius	.46.9 in. (1190 mm)	46.5 in. (1181 mm)
Teeth	seven TF23D	none
Drainage Holes	.no	yes

*Note: 1.44-cu. yd. bucket restricted to materials below 1,854 lb./cu. yd.

350D LC (22 m) Buckets

	<i>standard</i>	<i>ditching</i>
Type	standard	ditching
Width	.36 in. (914 mm)	60 in. (1524 mm)
Capacity, SAE (heaped)	.065 cu. yd. (0.5 m ³)	0.9 cu. yd. (0.69 m ³)
Weight	.967 lb. (439 kg)	1,020 lb. (463 kg)
Tip Radius	.46.9 in. (1190 mm)	38.6 in. (981 mm)
Teeth	seven TF23D	none
Drainage Holes	.no	yes

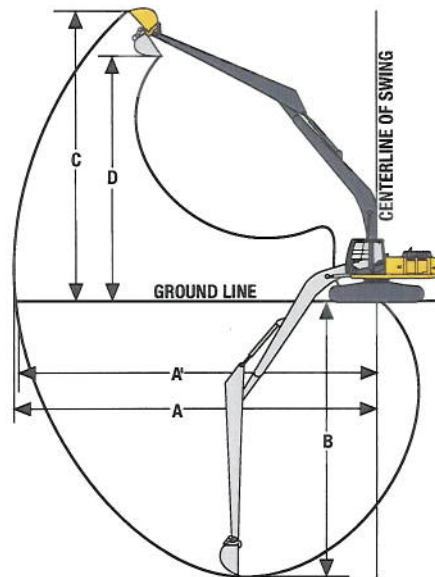
*Note: 0.9-cu. yd. bucket restricted to materials below 1,854 lb./cu. yd.

Operating Information

350D LC (18 m)

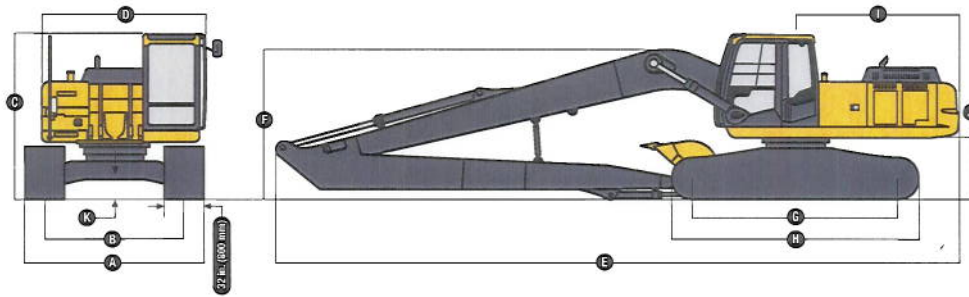
350D LC (22 m)

Arm Length	24 ft. 8 in. (7.52 m)	30 ft. 10 in. (9.40 m)
Arm Force			
With 30-in. (762 mm) Bucket	N/A	13,503 lb. (6125 kg)
With 36-in. (914 mm) Bucket	16,345 lb. (7583 kg)	N/A
Bucket Digging Force			
With 30-in. (762 mm) Bucket	N/A	17,703 lb. (8030 kg)
With 36-in. (914 mm) Bucket	20,691 lb. (9385 kg)	N/A
Bucket Cutting Edge Tip Radius47 in. (1190 mm)	45 in. (1135 mm)
Lifting Capacity Over Front or Rear @ Ground Level 20-ft. (6.1 m) Reach	19,570 lb. (8877 kg)	12,800 lb. (5806 kg)
A Maximum Reach60 ft. 0 in. (18 280 mm)	72 ft. 3 in. (22 020 mm)
A' Maximum Reach @ Ground Level59 ft. 7 in. (18 150 mm)	71 ft. 11 in. (21 910 mm)
B Maximum Digging Depth46 ft. 5 in. (14 150 mm)	57 ft. 1 in. (17 410 mm)
C Maximum Cutting Height47 ft. 8 in. (14 540 mm)	56 ft. 4 in. (17 170 mm)
D Maximum Dumping Height38 ft. 11 in. (11 880 mm)	48 ft. 8 in. (14 830 mm)



Dimensions

	350D LC (18 m)	350D LC (22 m)
A With 32-in. (800 mm) Semi-Grouser Shoes	11 ft. 1 in. (3.39 m)	11 ft. 1 in. (3.39 m)
B Gauge Width	8 ft. 6 in. (2.59 m)	8 ft. 6 in. (2.59 m)
C Cab Height	10 ft. 4 in. (3.16 m)	10 ft. 4 in. (3.16 m)
D Upperstructure Width	9 ft. 10 in. (2.99 m)	9 ft. 10 in. (2.99 m)
E Overall Length	47 ft. 10 in. (14.58 m)	55 ft. 8 in. (16.96 m)
F Transport Height	10 ft. 10 in. (3.32 m)	12 ft. 7 in. (3.83 m)
G Distance Between Idler/Sprocket Centerline	13 ft. 3 in. (4.05 m)	13 ft. 3 in. (4.05 m)
H Undercarriage Length	16 ft. 2 in. (4.95 m)	16 ft. 2 in. (4.95 m)
I Rear-End Swing Radius	11 ft. 1 in. (3.39 m)	11 ft. 8 in. (3.56 m)
J Counterweight Clearance	3 ft. 10 in. (1160 mm)	3 ft. 10 in. (1160 mm)
K Ground Clearance	1 ft. 8 in. (500 mm)	1 ft. 8 in. (500 mm)



350D LC (18 m) Lift Capacities

Boldface italic type indicates hydraulic-limited capacities; lightface type indicates stability-limited capacities, in lb. (kg). Ratings at bucket lift hook, machine equipped with 0.65-cu. yd. (0.50 m³), 36-in. (914.4 mm) wide, 967-lb. (439 kg) bucket; and situated on firm, uniform supporting surface. Total load includes weight of cables, hook, etc. Figures do not exceed 87 percent of hydraulic capacities or 75 percent of weight needed to tip machine. Lift capacities are with power boost and are based on SAE standard J1097.

Load Point Height	10 ft. (3.05 m)		20 ft. (6.10 m)		30 ft. (9.14 m)		40 ft. (12.19 m)	
	Over Front	Over Side	Over Front	Over Side	Over Front	Over Side	Over Front	Over Side
<i>With 24-ft. 8-in. (7.52 m) arm, 32-in. (800 mm) shoes, and 1,764-lb. (800 kg) additional counterweight</i>								
15 ft. (4.57 m)							7,920 (3592)	7,340 (3329)
10 ft. (3.05 m)			12,830 (5820)	12,830 (5820)	10,840 (4917)	10,840 (4917)	8,640 (3919)	6,930 (3143)
5 ft. (1.52 m)			19,780 (8972)	18,160 (8237)	12,350 (5602)	10,310 (4677)	9,370 (4250)	6,520 (2957)
Ground Line	2,500 (1134)	2,500 (1134)	19,570 (8877)	16,360 (7421)	13,710 (6219)	9,510 (4314)	10,060 (4563)	6,130 (2781)
-5 ft. (-1.52 m)	4,810 (2182)	4,810 (2182)	18,810 (8532)	15,280 (6931)	14,780 (6704)	8,890 (4032)	9,850 (4468)	5,790 (2626)
-10 ft. (-3.05 m)	7,330 (3325)	7,330 (3325)	18,310 (8305)	14,740 (6686)	14,480 (6568)	8,460 (3837)	9,580 (4345)	5,540 (2513)
-15 ft. (-4.57 m)	10,080 (4572)	10,080 (4572)	18,200 (8255)	14,550 (6600)	14,200 (6441)	8,200 (3719)	9,400 (4264)	5,380 (2440)
-20 ft. (-6.10 m)	12,200 (5534)	12,200 (5534)	18,400 (8346)	14,590 (6618)	14,100 (6396)	8,100 (3674)	9,330 (4232)	5,310 (2409)
-25 ft. (-7.64 m)	14,160 (6423)	14,160 (6423)	18,790 (8523)	14,820 (6722)	14,140 (6414)	8,150 (3697)	9,370 (4250)	5,350 (2427)
-30 ft. (-9.14 m)	15,940 (7230)	15,940 (7230)	19,260 (8736)	15,220 (6904)	14,120 (6405)	8,340 (3783)	9,550 (4332)	5,520 (2504)
-35 ft. (-10.67 m)	17,500 (7938)	17,500 (7938)	18,060 (8192)	15,810 (7171)	12,240 (5552)	8,690 (3942)		
-40 ft. (-12.19 m)			13,760 (6241)	13,760 (6241)	8,980 (4073)	8,980 (4073)		

350D LC (22 m) Lift Capacities

Boldface italic type indicates hydraulic-limited capacities; lightface type indicates stability-limited capacities, in lb. (kg). Ratings at bucket lift hook, machine equipped with 0.50-cu. yd. (0.38 m³), 30-in. (762 mm) wide, 835-lb. (379 kg) bucket; and situated on firm, uniform supporting surface. Total load includes weight of cables, hook, etc. Figures do not exceed 87 percent of hydraulic capacities or 75 percent of weight needed to tip machine. Lift capacities are with power boost and are based on SAE standard J1097.

Load Point Height	20 ft. (6.10 m)		30 ft. (9.14 m)		40 ft. (12.19 m)		50 ft. (15.20 m)	
	Over Front	Over Side	Over Front	Over Side	Over Front	Over Side	Over Front	Over Side
<i>With 24-ft. 8-in. (7.52 m) arm, 32-in. (800 mm) shoes, and 1,764-lb. (800 kg) additional counterweight</i>								
20 ft. (6.10 m)							5,280 (2395)	5,280 (2395)
15 ft. (4.57 m)							5,630 (2554)	5,450 (2472)
10 ft. (3.05 m)	11,740 (5325)	11,740 (5325)	9,870 (4477)	9,870 (4477)	7,270 (3298)	7,270 (3298)	6,000 (2722)	5,130 (2327)
5 ft. (1.52 m)	18,160 (8237)	18,160 (8237)	10,910 (4949)	10,910 (4949)	7,950 (3606)	7,120 (3230)	6,390 (2898)	4,810 (2182)
Ground Line	12,800 (5806)	12,800 (5806)	12,090 (5484)	9,960 (4518)	8,600 (3901)	6,590 (2989)	6,760 (3066)	4,510 (2046)
-5 ft. (-1.52 m)	10,880 (4935)	10,880 (4935)	13,040 (5915)	9,150 (4150)	9,160 (4155)	6,120 (2776)	7,090 (3216)	4,240 (1923)
-10 ft. (-3.05 m)	11,010 (4994)	11,010 (4994)	13,710 (6219)	8,570 (3887)	9,610 (4359)	5,750 (2608)	7,180 (3257)	4,010 (1819)
-15 ft. (-4.57 m)	12,000 (5443)	12,000 (5443)	14,100 (6396)	8,200 (3719)	9,670 (4386)	5,470 (2481)	6,990 (3171)	3,840 (1742)
-20 ft. (-6.10 m)	13,510 (6128)	13,510 (6128)	14,210 (6446)	7,990 (3624)	9,480 (4300)	5,290 (2400)	6,870 (3116)	3,720 (1687)
-25 ft. (-7.64 m)	15,420 (6994)	14,340 (6505)	14,100 (6396)	7,920 (3592)	9,380 (4255)	5,200 (2359)	6,810 (3089)	3,670 (1665)
-30 ft. (-9.14 m)	17,740 (8047)	14,600 (6622)	13,700 (6214)	7,970 (3615)	9,380 (4255)	5,200 (2359)	6,830 (3098)	3,690 (1674)
-35 ft. (-10.67 m)	19,180 (8700)	14,990 (6799)	13,000 (5897)	8,130 (3688)	9,410 (4268)	5,290 (2400)	6,920 (3139)	3,790 (1719)
-40 ft. (-12.19 m)	17,280 (7838)	15,510 (7035)	11,930 (5411)	8,400 (3810)	8,620 (3910)	5,480 (2486)	6,030 (2735)	4,000 (1814)
-45 ft. (-13.72 m)	14,770 (6700)	14,770 (6700)	10,380 (4708)	8,800 (3992)	7,340 (3329)	5,800 (2631)		
-50 ft. (-15.20 m)	11,410 (5175)	11,410 (5175)	8,100 (3674)	8,100 (3674)	5,110 (2318)	5,110 (2318)		



JOHN DEERE

07-10-07

Net engine power is with standard equipment including air cleaner, exhaust system, alternator, and cooling fan at test conditions specified per ISO9249. No derating is required up to 10,000-ft. (3050 m) altitude.

Specifications and design subject to change without notice. Wherever applicable, specifications are in accordance with SAE standards. Except where otherwise noted, these specifications are based on units with 32-in. (800 mm) track shoes, full fuel tanks, and 175-lb. (79 kg) operators; a 200D LC unit with 30-in. (762 mm) bucket and 10,472-lb. (4750 kg) counterweight; a 240D LC unit with 30-in. (762 mm) bucket and 11,904-lb. (5400 kg) counterweight; a 270D LC unit with 30-in. (762 mm) bucket and 13,447-lb. (6100 kg) counterweight; and a 350D LC unit with 36-in. (914.4 mm) bucket and 16,314-lb. (7400 kg) counterweight.

