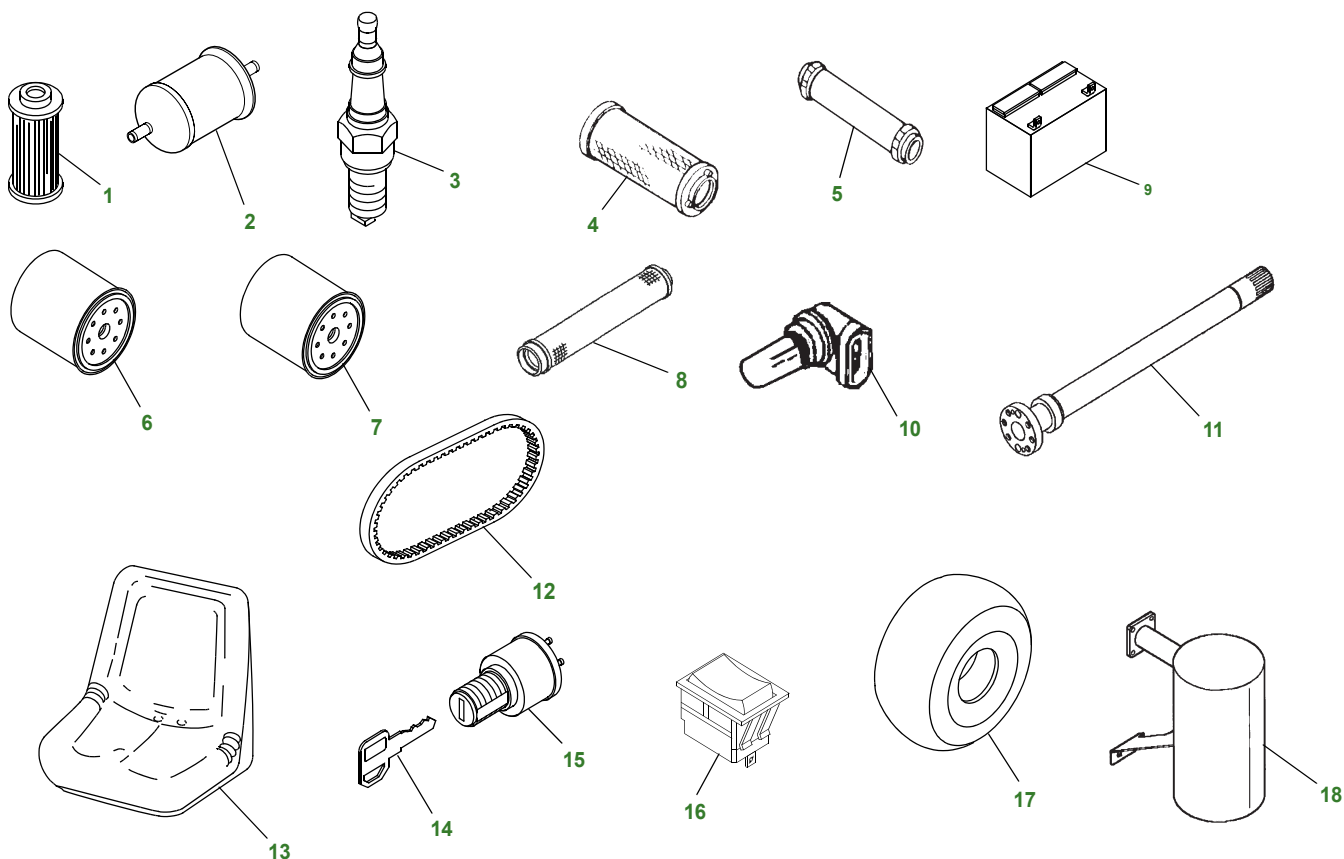


ProGator 2020A / 2030A



| Key | Part No. | Description | Key | Part No. | Description |
|-----|----------|---|-----|----------|---|
| 1 | M801101 | FUEL FILTER - ELEMENT - 2030A | | MIU13725 | BELT - WATER PUMP - 2020A - (S/N 060001 -) |
| 2 | AM876035 | FUEL FILTER - 2020A - (S/N -060000) | | RG60467 | BELT - WATER PUMP - DIESEL - 2030A |
| | MIU13548 | FUEL FILTER - 2020A - (S/N 060001-) | 13 | TCA21044 | SEAT - (S/N -075000) |
| 3 | M805853 | SPARK PLUG - 2020A - (S/N -060000) | | TCA24320 | SEAT - (S/N 080001-) |
| | MIU13556 | SPARK PLUG - 2020A - (S/N 060001-) | 14 | AM131841 | KEY - 2030A |
| 4 | M113621 | AIR FILTER ELEMENT - PRIMARY | | TCA24616 | KEY - 2020A |
| 5 | M123378 | AIR FILTER ELEMENT - SECONDARY | 15 | TCA22740 | SWITCH - IGNITION - 2020A (S/N -080000), 2030A (S/N - 085000) |
| 6 | M806418 | ENGINE OIL FILTER - 2020A - (S/N -060000) & 2030A | | AUC15805 | SWITCH_IGNITION - 2020A (S/N 080001-), 2030A (S/N 085001-) |
| | MIU13555 | ENGINE OIL FILTER - 2020A - (S/N 060001-) | 16 | AM117324 | ROCKER SWITCH - WORK LIGHTS |
| 7 | M131053 | HYDRAULIC OIL FILTER | 17 | M129988 | TIRE - FRONT - 23 X 10.5 X 12 |
| 8 | AM130017 | AUXILIARY HYDRAULIC STRAINER (S/N -060000) | | TCU30301 | TIRE-FRONT - WIDE SMOOTH - 22 X 9.5 X 12 |
| 9 | TY25876 | BATTERY (DRY) | | TCU30302 | TIRE-REAR - WIDE SMOOTH - 26 X 14 X 12 |
| 10 | R136239 | BULB - HEADLIGHT | | TCU30472 | TIRE - REAR - FAIRWAY - 26 X 14 X 12 |
| 11 | M809135 | REAR AXLE (LH) | 18 | TCA16614 | MUFFLER - 2030A (S/N -080000) |
| | M809136 | REAR AXLE (RH) | | TCA25273 | MUFFLER - 2030A (S/N 080001-) |
| 12 | T111546 | BELT - WATER PUMP - 2020A - (S/N -011029) | | TCA17328 | MUFFLER - 2020A (S/N -060000) |
| | M811284 | BELT - WATER PUMP - 2020A - (S/N 011030 - 060000) | | TCA20138 | MUFFLER - 2020A (S/N 060001-080324) |
| | | | | TCA25469 | MUFFLER - 2020A (S/N 080325-) |

ProGator 2020A / 2030A (Continued)

Parts Needed in First 250 hours of Operation

| Qty | Part No. | Item | Capacity | Interval In Hours |
|-----|----------|--|---|-------------------|
| 2 | M806418 | Engine Oil Filter - 2020A (S/N -60000) & 2030A | | 200 |
| 2 | MIU13555 | Engine Oil Filter - 2020A (S/N 060001-) | | 200 |
| 3 | TY26674 | JD Plus-50™ II 15W-40 Engine Oil - 2030A | 2.1 L (2.2 qt) | 200 |
| 4 | TY22029 | TURF-GARD™ 10W-30 Engine Oil - 2020A | 3.2 L (3.4 qt) | |
| 1 | M800489 | Transaxle Strainer | | 50 |
| 1 | AR69444 | John Deere J20C HY-GARD™ | 10.6 L (2.8 gal) Trans / Hyd 3.3 L (3.5 qt) - Front Axle | 50 |
| 3 | TY6341 | John Deere Multi-Purpose SD Polyurea Grease | | As Needed |

*Refer to Operators Manual for service intervals if using BioDiesel Fuel and Bio Hy-Gard.