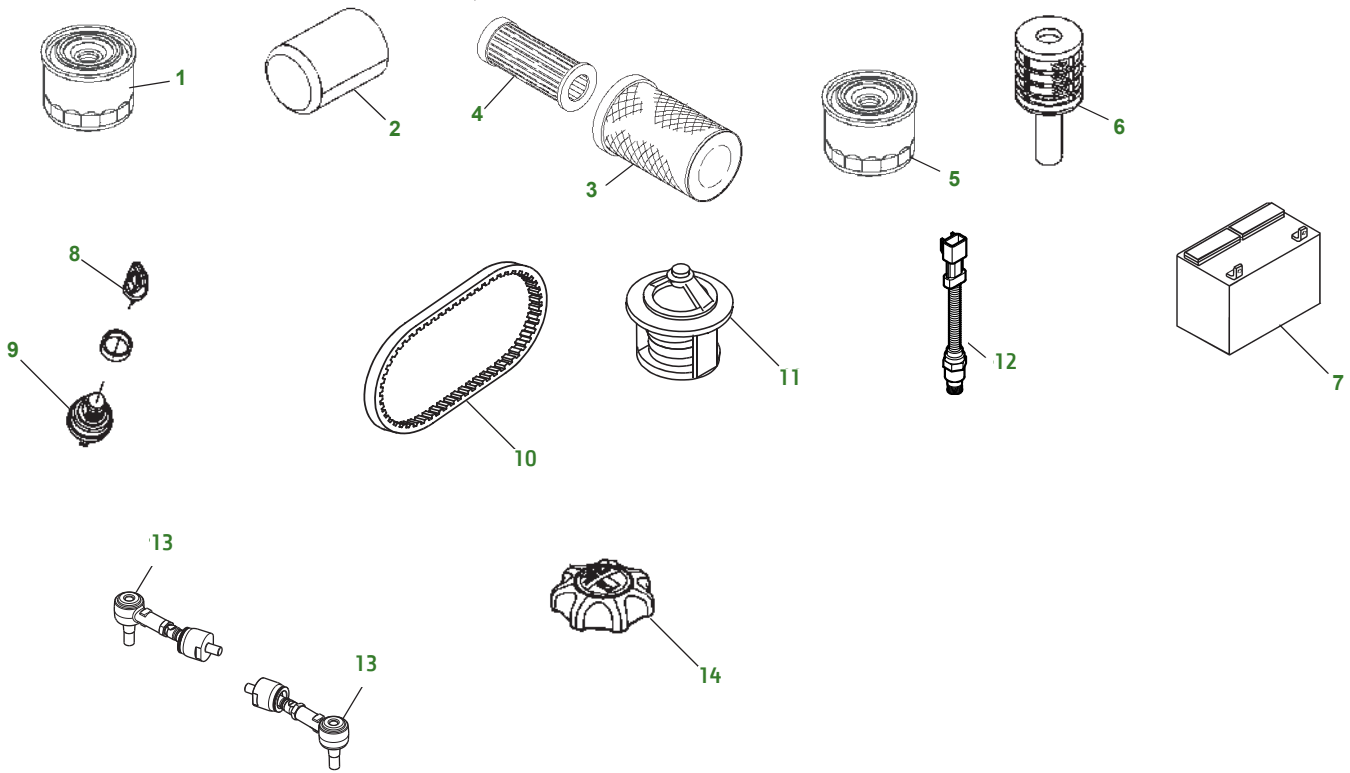


# 9009A TerrainCut™ Rough Mower

Rough Intermediates and Surrounds



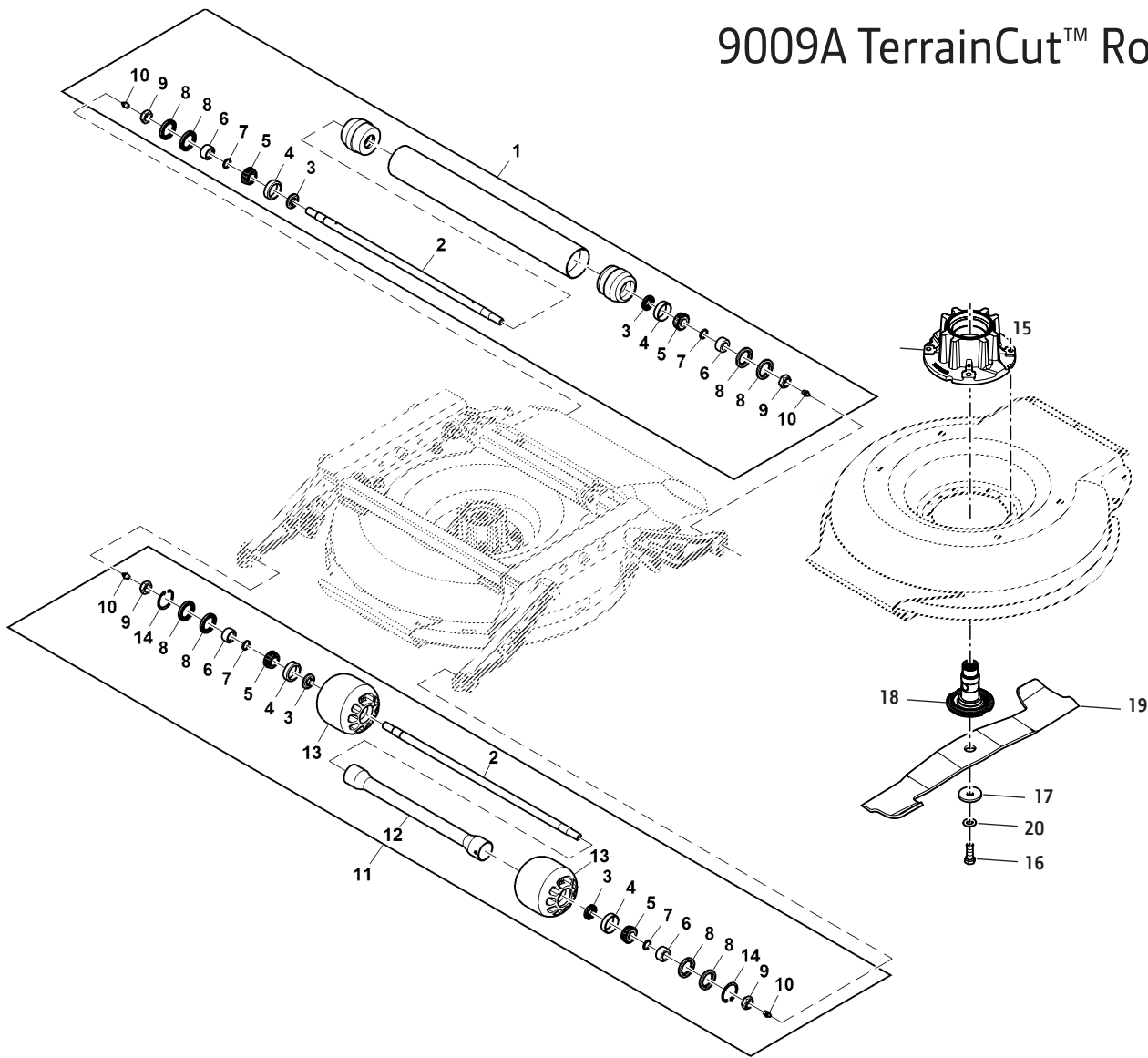
| Key | Part No.  | Description                    | Key | Part No. | Description           |
|-----|-----------|--------------------------------|-----|----------|-----------------------|
| 1   | M806419   | ENGINE OIL FILTER              | 10  | LVU11662 | BELT - WATER PUMP     |
| 2   | RE69054   | HYDRAULIC OIL FILTER           |     | TCU30780 | BELT - FAN            |
| 3   | RE68048   | AIR FILTER ELEMENT - PRIMARY   | 11  | M811034  | THERMOSTAT            |
| 4   | RE68049   | AIR FILTER ELEMENT - SECONDARY | 12  | AMT2465  | ENGINE COOLANT SENSOR |
| 5   | MIU803127 | FUEL FILTER                    | 13  | TCA23641 | TIE ROD ENDS          |
| 6   | MIU803126 | WATER FUEL SEPARATOR           | 14  | TCA24601 | FUEL FILLER CAP       |
| 7   | TY25876   | BATTERY                        |     |          |                       |
| 8   | AUC12681  | KEY                            |     |          |                       |
| 9   | TCA22740  | ROTARY SWITCH (S/N - 020000)   |     |          |                       |
|     | AUC15805  | ROTARY SWITCH (S/N 020001-)    |     |          |                       |

### Parts Needed in First 250 hours of Operation

| Qty | Part No. | Item   | Capacity     | Interval In Hours |
|-----|----------|--|--------------|-------------------|
| 2   | M806419  | Engine Oil Filter  |              | 250               |
| 6   | TY26674  | Plus-50™ II 15W-40 Engine Oil  | 5.7 L (6 qt) | 250               |
| 1   | RE69054  | Hydraulic Oil Filter   |              | 50                |
| 3   | TY25083  | John Deere Special Purpose Golf and Turf Cutting Unit Grease (Cutting Unit and Cutting Unit Attachments) |              | As Needed         |
| 3   | TY6341   | John Deere Multi-Purpose SD Polyurea Grease (Machine components, lift arms and rollers)                  |              | As Needed         |

\*Refer to Operators Manual for service intervals if using BioDiesel Fuel and Bio Hy-Gard.

# 9009A TerrainCut™ Rotary Deck



Rough Intermediates and Surrounds

| Key | Part No. | Description         | Key | Part No. | Description                   |
|-----|----------|---------------------|-----|----------|-------------------------------|
| 1   | TCA25970 | ROLLER              | 15  | UC15071  | HOUSING                       |
| 2   | TCU39718 | SHAFT               | 16  | TCU28104 | BOLT                          |
| 3   | MT739    | SEAL                | 17  | M147138  | WASHER                        |
| 4   | JD8226   | BEARING CUP         | 18  | AUC11610 | ADAPTER                       |
| 5   | JD8188   | BEARING CONE        | 19  | TCU38740 | MOWER BLADE - LOW LIFT        |
| 6   | ET15726  | SLEEVE              |     | UC12014  | MOWER BLADE - LOW LIFT MULCH  |
| 7   | U46731   | O-RING              |     | TCU27401 | MOWER BLADE - HIGH LIFT       |
| 8   | ET15755  | SEAL                |     | TCU27876 | MOWER BLADE - HIGH LIFT MULCH |
| 9   | N101345  | LOCK NUT            | 20  | TCU27937 | WASHER                        |
| 10  | JD7759   | LUBRICATION FITTING |     |          |                               |
| 11  | TCA25911 | ROLLER              |     |          |                               |
| 12  | TCA25913 | SPACER              |     |          |                               |
| 13  | TCU38614 | ROLLER              |     |          |                               |
| 14  | 40M1863  | SNAP RING           |     |          |                               |