

# FILTER OVERVIEW WITH SERVICE INTERVALS AND CAPACITIES

## 6M Final Tier 4 (FT4) MY20 Series Tractors – 6155M, 6175M, 6195M

### CAB

#### FRESH AIR FILTER (QTY 2)

[AL225552](#)

Replace after every 1500 hours, or 2 years, or with Engine Primary Air Filter, whichever occurs first.

#### (ACTIVATED CARBON KIT) [AL158986](#)

Never clean. Replace after every 750 hours or 1 year or with Engine Primary Air Filter, whichever occurs first.

### CAB

#### RECIRCULATION AIR FILTER (QTY 2)

[L214634](#)

Replace after every 1500 hours, or 2 years, or with Engine Primary Air Filter, whichever occurs first.

#### (ACTIVATED CARBON KIT) [AL158986](#)

Never clean. Replace after every 750 hours or 1 year or with Engine Primary Air Filter, whichever occurs first.

### HYDRAULICS

#### OIL FILTER [AL169573](#)

Replace after first 100 hours then after first 750 hours and every 750 hours thereafter. Change Transmission Oil Filter as well.

### TRANSMISSION

#### OIL FILTER [AL221066](#)

Replace after first 100 hours then after first 750 hours and every 750 hours thereafter. Change Transmission Oil Filter as well.

### ENGINE

#### OIL FILTER [RE539279](#)

Replace every 750 hours thereafter or annually. The extended 750 hour interval is only allowed if using Plus-50™ II oil, JD OEM Oil Filter and diesel fuel with sulfur content less than 15mg/kg (15 ppm). Change Oil and Filter after every 500 hours, if conditions are not met.

### ENGINE

#### CRANKCASE VENTILATION FILTER

[DZ105100](#)

Replace after every 750 hours.

### ENGINE

#### DEF LINE FILTER [DZ110513](#)

Replace after every 4500 hours or 3 years, whichever occurs first.

### ENGINE

#### DEF INJECTION PUMP FILTER [RE554498](#)

Replace after every 4500 hours or 3 years, whichever occurs first.

### ENGINE

#### FINAL FUEL FILTER [RE560681](#)

Replace after every 750 hours.

### ENGINE

#### SECONDARY AIR FILTER [AL215054](#)

Replace at every fourth change of Primary Air Filter, or after 4500 hours or 2 year, whichever occurs first.

### ENGINE

#### PRIMARY FUEL FILTER

[AL215053](#)

Replace after every 1500 hours, or 2 years whichever occurs first, or if the relevant information is displayed on the CommandCenter™.

### ENGINE

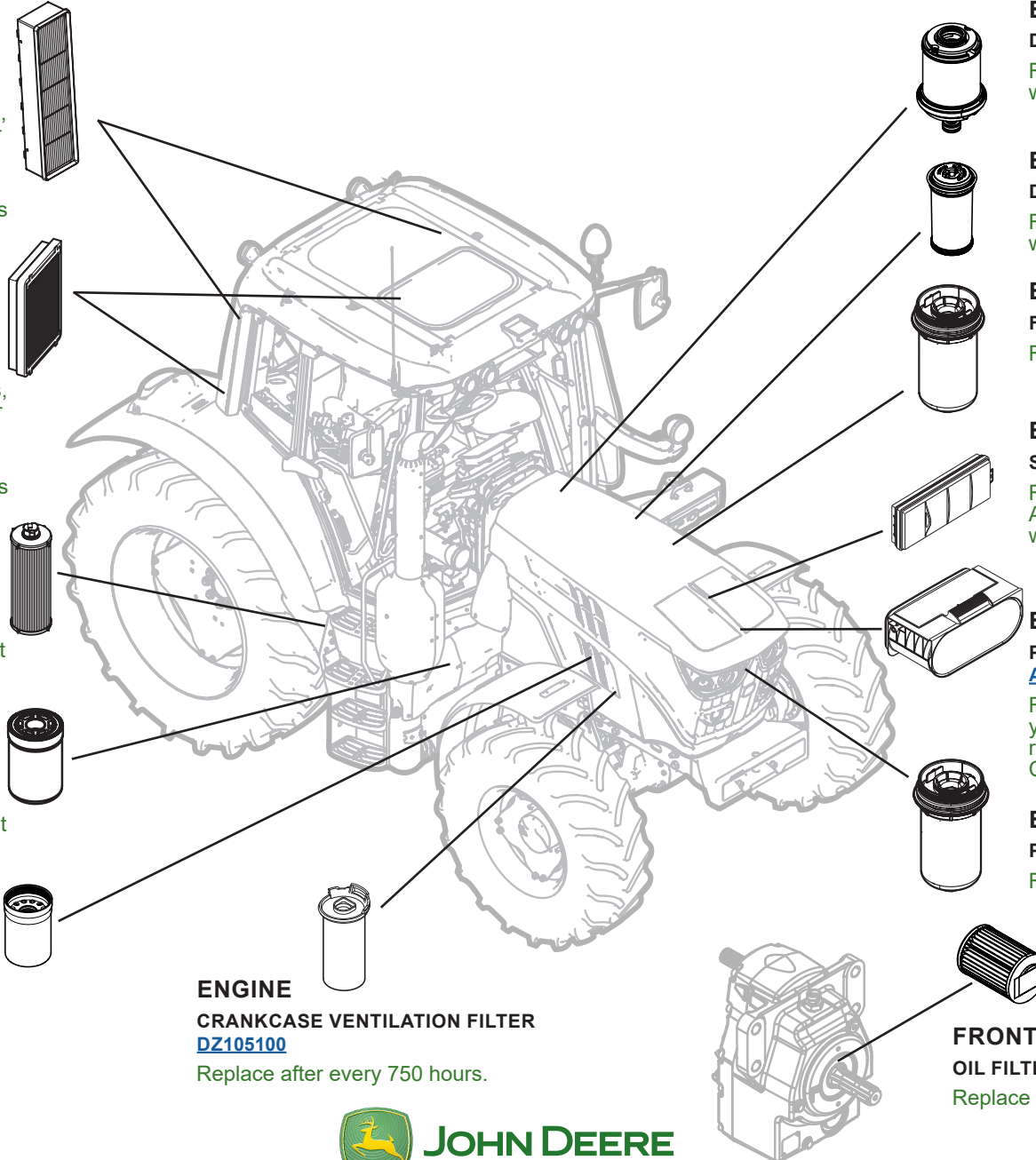
#### PRIMARY AIR FILTER [RE551507](#)

Replace after every 750 hours.

### FRONT PTO

#### OIL FILTER [DE30500](#)

Replace after every 500 hours.



**JOHN DEERE**

Genuine Parts and Service

# CAPACITIES

## 6M Final Tier 4 (FT4) MY20 Series Tractors – 6155M, 6175M, 6195M

### CAPACITIES (Approximate):

#### Fuel Tank:

6155M.....	270 L (71.3 gal)
6175M, 6195M.....	325 L (85.9 gal)

#### DEF Tank:

##### John Deere Diesel Exhaust Fluid™

6155M.....	16 L (4.2 gal)
6175M, 6195M.....	20 L (5.3 gal)

#### Cooling System:

##### Cool-Gard™ II

6155M.....	27 L (7.1 gal)
6175M, 6195M.....	28 L (7.4 gal)

#### Crankcase:

##### Plus-50™ II

.....	23.5 L (6.2 gal)
-------	------------------

#### Transmission / Hydraulics:

##### Hy-Gard™

Transmission .....	70 L (20.1 gal)
Extra with creeper.....	2 L (0.5 gal)
Extra with front-wheel drive .....	3 L (0.8 gal)
Extra with additional oil reservoir.....	14 L (3.7 gal)

#### Front PTO:

.....	2.6 L (0.7 gal)
-------	-----------------

#### Front-wheel Drive:

##### Hy-Gard™

###### 6155M

Axle housing (with TLS™) .....	10.0 L (2.6 gal)
Axle housing (without TLS™).....	9.2 L (2.4 gal)
Final drives, per side (with brake).....	2.4 L (0.63 gal)
Final drives, per side (without brake).....	2.2 L (0.58 gal)

###### 6175M, 6195M

Axle housing (with TLS™) .....	11.4 L (3.0 gal)
Axle housing (without TLS™).....	10.6 L (2.8 gal)
Final drives, per side (with brake).....	2.6 L (0.69 gal)
Final drives, per side (without brake).....	2.0 L (0.53 gal)

#### Air-conditioning System:

R134a Refrigerant .....	1225 - 1275 g (2.70 - 2.81 lb)
-------------------------	-----------------------------------

[Return to Filter Overview](#)

