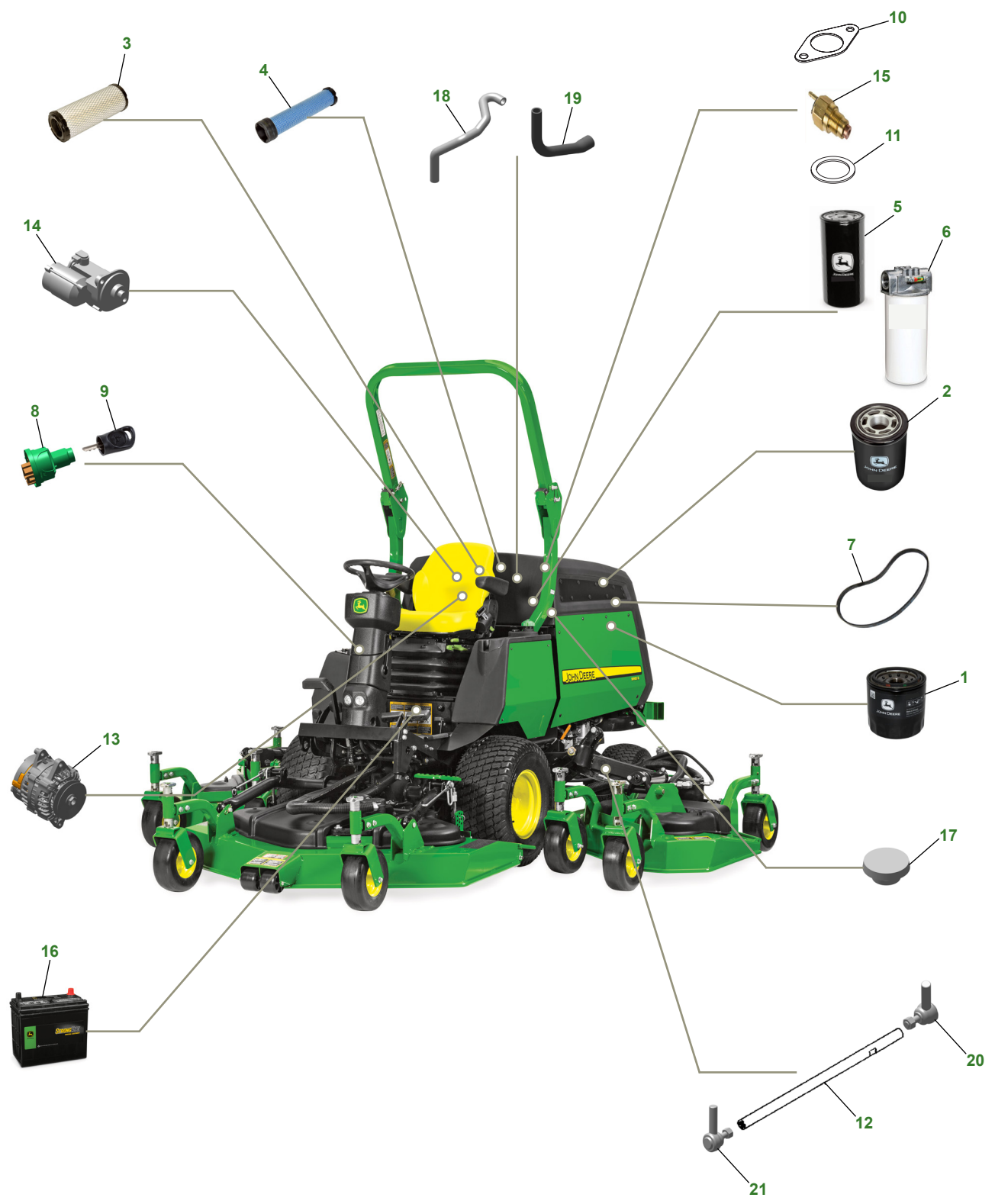


1600 Turbo Series III



1600 Turbo Series III (Continued)

Key	Part No.	Description	Key	Part No.	Description
1	M806419	ENGINE OIL FILTER	12	M800428	TIE ROD TUBE
2	AL221066	HYDRAULIC FILTER	13	AUC10870	ALTERNATOR
3	RE68048	AIR FILTER - PRIMARY	14	RG60654	STARTER MOTOR
4	RE68049	AIR FILTER - SECONDARY	15	M811034	THERMOSTAT
5	MIU802421	FUEL FILTER ELEMENT	16	TY25272	BATTERY
6	MIU803127	FUEL FILTER	17	AT173610	RADIATOR CAP
7	UC11980	FAN BELT	18	UC10561	RADIATOR HOSE - UPPER
8	AUC15805	IGNITION SWITCH	19	UC10562	RADIATOR HOSE - LOWER
9	TCA24616	IGNITION KEY	20	MIA884948	TIE ROD END - LH
10	M805834	GASKET - UPPER	21	MIA884949	TIE ROD END - RH
11	M805835	GASKET - LOWER			

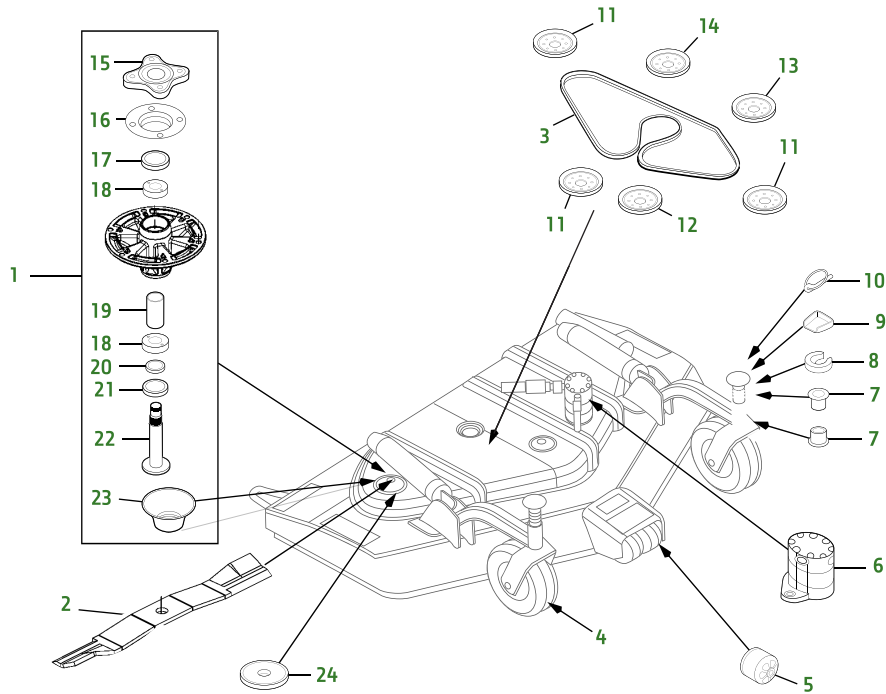
Parts Needed in First 500 Hours of Operation

Qty	Part No.	Item	Capacity	Interval In Hours
2	M806419	Engine Oil Filter	1	250/500
12	TY26673	Plus-50™ II 15W-40 Engine Oil	5.8 L (6.1 qt)	250/500
1	AL221066	Hydraulic Filter	1	50
1	MIU803127	Fuel Filter	1	500
1	TY6341	Multi-Purpose SD Polyurea Grease (14 oz)		As Needed

Capacities

Engine Oil (with Filter)	5.8 L (6.1 qt)
Coolant	7.5 L (8 qt)
Hydraulic System	58.7 L (15.5 gal)
Hydrostatic Transmission	13.3 L (3.5 gal)
Rear Axle	4.7 L (5 qt)
Grease Gun	TY26518

62 in. Front-Mount, Rear Discharge deck 1600 Turbo Series III

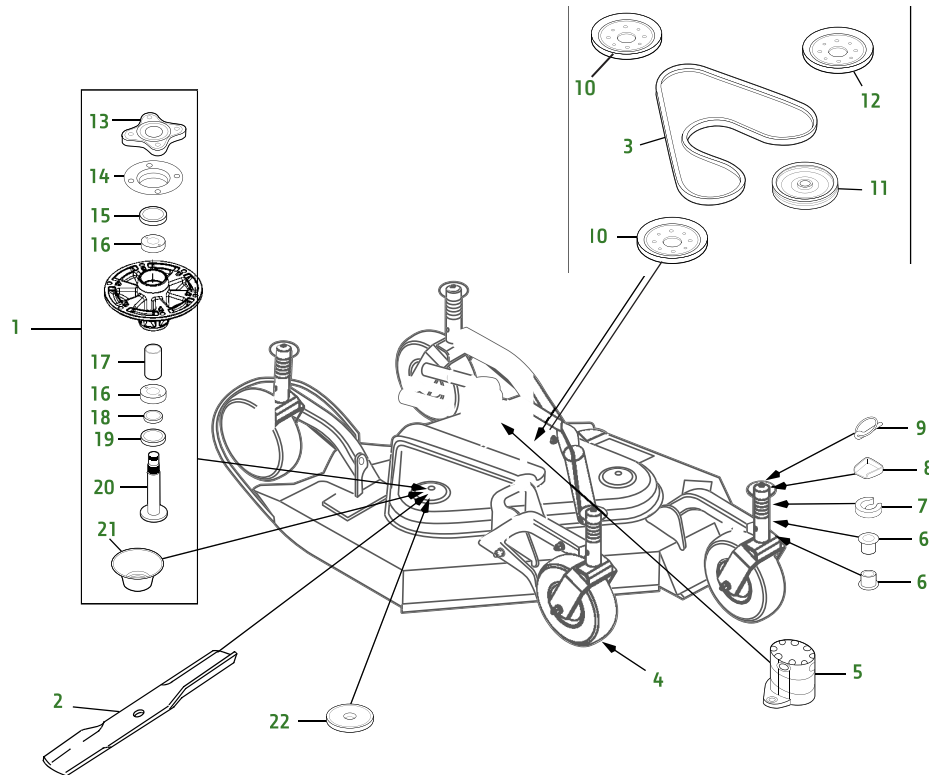


Key	Part No.	Description	Key	Part No.	Description
1	TCA24881 SPINDLE ASSEMBLY	13	AN15237 IDLER SHEAVE
2	TCU51118 BLADE (STD)	14	TCA20656 SHEAVE
	M144935 BLADE - MULCHING	15	TCU38142 HUB
3	TCU31159 BELT - CENTER DECK	16	TCU51223 DEFLECTOR
4	TCA20363 WHEEL & TIRE ASSEMBLY	17	M85699 SEAL
5	M115245 ROLLER	18	M169375 BALL BEARING
6	TCA19935 HYDRAULIC MOTOR	19	M163058 SPACER
7	M83541 BUSHING - TOP & BOTTOM	20	M163060 WASHER
8	M85178 SPACERS	21	M127198 SEAL
9	TCU51773 GUARD	22	M163059 SPINDLE
10	M115827 QUICK LOCK PIN	23	M163053 DEFLECTOR
11	TCU31399 SHEAVE	24	M123522 WASHER
12	TCA51121 IDLER SHEAVE			

Frequently Used Items

Qty	Part No.	Item
3	TCA24881	Spindle Assembly
3	TCU51118	Blade - Standard
3	M144935	Blade - Mulching
1	TCU31159	Belt - Center Deck

42 in. Left & Right, Side Wing decks 1600 Turbo Series III



Key	Part No.	Description	Key	Part No.	Description
1	TCA24881	SPINDLE KIT ASSEMBLY	11	TCA20656	IDLER SHEAVE - LEFT & RIGHT DECK
2	TCU51118	BLADE (STD)	12	TCA51121	IDLER SHEAVE - LEFT & RIGHT DECK
	M144935	BLADE - MULCHING	13	TCU38142	HUB
3	TCU14539	BELT - LEFT WING DECK	14	TCU51223	DEFLECTOR
	TCU14538	BELT - RIGHT WING DECK	15	M85699	SEAL
4	TCA20363	WHEEL & TIRE ASSEMBLY	16	M169375	BALL BEARING
5	TCA19935	HYDRAULIC MOTOR	17	M163058	SPACER
6	M83541	BUSHING - TOP & BOTTOM	18	M163060	WASHER
7	M85178	SPACER	19	M127198	SEAL
8	TCU51773	GUARD	20	M163059	SPINDLE
9	M115827	QUICK LOCK PIN	21	M163053	DEFLECTOR
10	TCU31399	SHEAVE - LEFT & RIGHT DECK	22	M123522	WASHER

Frequently Used Items

Qty	Part No.	Item
2	TCA24881	Spindle Assembly
2	TCU51118	Blade - Standard
2	M144935	Blade - Mulching
1	TCU14539	Belt - Left
1	TCU14538	Belt - Right