

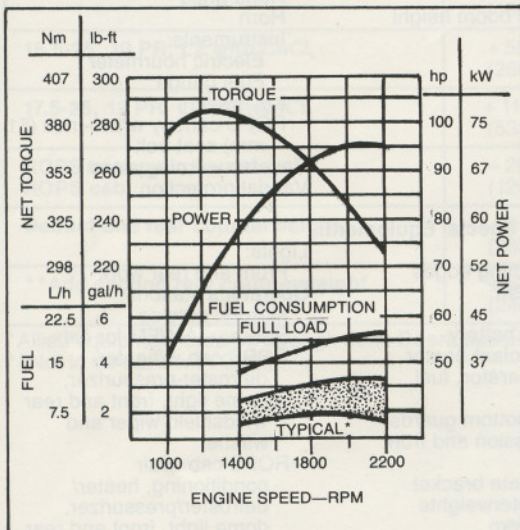


444E LOADER WITH COUPLER



Model shown includes optional and allied equipment

ENGINE PERFORMANCE



*Depending on operating variables

FEATURES

- 95 SAE net hp (71 kW) John Deere turbocharged diesel engine
- Bucket capacities to 2.25 cu. yd. (1.7 m³)
- Operating weights to 20,864 lb. (9462 kg)
- Four-wheel drive
- Hi-Lo Power Shift transmission with variable speed hydrostatics
- Power steering. Articulated frame
- Four-wheel wet-disk power brakes and parking brake
- Inboard planetary final drives
- Single-lever or optional two-lever control with automatic return-to-dig and boom height control
- NoSPIN front differential
- Vandal protection
- Manual or optional hydraulic Quik-Tatch™ coupler
- Rollover protective structure (ROPS) with canopy. Meets criteria of SAE J394a, SAE J1040 APR88, OSHA 1926.1001, and ISO 3471. Also meets FOPS (falling object protective structure) criteria SAE J231 JAN81 and ISO 3449.

ADD VERSATILITY WITH:

- Forks
- Material handling arm
- Blades
- Feller-bunchers
- Shears
- Multipurpose buckets
- Side-dump bucket
- Snow blowers
- Snow plows
- Sweepers
- Special buckets

444E LOADER WITH COUPLER SPECIFICATIONS

Specifications and design subject to change without notice. Wherever applicable, specifications are in accordance with SAE Standards. Except where otherwise noted, specifications are based on a machine with all standard equipment, 17.5-25, 12 PR, L2 tires, one rear counterweight, full fuel tank, and 175-lb. (80 kg) operator.

Rated Power @ 2200 engine rpm:	SAE	DIN 70 020
Net	95 hp (71 kW)	71 kW
Gross	100 hp (75 kW)	

Net engine power is with standard equipment including air cleaner, exhaust system, alternator and cooling fan, at standard conditions per SAE J1349 and DIN 70 020, using No. 2-D fuel @ 35 API gravity. No derating is required up to 10,000 feet (3050 m) altitude. Gross power is without cooling fan.

Engine: John Deere 4276T

Type	4-stroke cycle, turbocharged diesel
Bore and stroke	4.19 x 5.00 in. (106.5 x 110 mm)
No. of cylinders	4
Displacement	276 cu. in. (4.523 L)
Maximum net torque @ 1300 rpm	284 lb-ft (385 Nm) (39.4 kg-m)
Cooling fan	Blower
Air cleaner w/restriction indicator	Dry type
Electrical system	12 volt w/90-amp alternator
Batteries (one 12 volt)	
25 amps at 80°F (27°C)	Reserve capacity: 166 min. each
BCI group 27 cold cranking capacity at 0°F (-18°C)	653 amp

Transmission

Hi-Lo power shift with variable speed hydrostatics. Hydrostatic flow and pressure is automatically proportioned to meet operating conditions.

Forward and Reverse Speeds:	mph (max.)	km/h (max.)
1	7.5	12.1
2	20.0	32.2

Differentials:

Front NoSPIN and rear conventional

Drive Axles

Inboard-mounted planetary gears to each wheel. Front axle fixed. Rear axle oscillates 26 degrees total (16.4 in. [416 mm] vertical travel at center of tire).

Steering

Full power steering. Frame articulated 80 degrees by two hydraulic cylinders.

Turning radius (measured to centerline of outside tire)	15 ft. 0 in. (4.57 m)
Cylinder size: Stroke	15.0 in. (382 mm)
Bore	2.56 in. (65 mm)
Rod diameter	1.38 in. (35 mm)

Brakes:

Service

Power-actuated, 4-wheel inboard-mounted, wet disk. Foot-operated by either pedal.

Parking

2.75 x 2.75 in. (70 x 70 mm) caliper disk on front drive line, hand-operated. Includes transmission disconnect with two level monitor warning.

Hydraulic Systems:

Steering and loader functions

An engine drive gear-type pump delivers 38.8 gpm (147 L/min) at 600 psi (4137 kPa) (42.2 kg/cm²) and 2200 engine rpm. Loader function relief valve pressure setting is 2987 psi (20 594 kPa) (210 kg/cm²). Maximum steering pressure is 2500 psi (17 238 kPa) (175 kg/cm²).

Control

Single-lever or optional two lever, dual hydraulic valve. Optional triple hydraulic valve for fork or multipurpose bucket.

Brakes

Engine-driven, gear-type pump delivers 3.72 gpm (14 L/min) at 2200 engine rpm and 600 psi (4137 kPa) (42.2 kg/cm²). Maximum system pressure is 2275 psi (15 686 kPa) (160 kg/cm²).

Loader hydraulic operating cycle times at full throttle:	
Raise	5.3 sec.
Dump	1.0 sec.
Lowering: float	3.4 sec.
power	3.1 sec.

Maximum lift capacity with 1.75 cu. yd. (1.4 m ³) excavating bucket:	
Maximum height	8456 lb. (3835 kg)
Ground level	17,488 lb. (7931 kg)

Hydraulic Cylinders:

	Bore	Stroke
Boom, two	4.33 in. (110 mm)	26.97 in. (685 mm)
Bucket, one	4.72 in. (120 mm)	19.69 in. (500 mm)
Cylinder rods	Ground, heat-treated, chrome-nickel-plated polished	
Boom cylinder rods	2.36 in. (60 mm) dia.	
Bucket cylinder rod	2.56 in. (65 mm) dia.	

Tires — choice of:

15.5-25, 10 PR, loader tread, L2
17.5-25, 12 PR, loader tread, L2

Capacities:

	U.S.	Liters
Fuel tank	37 gal.	140
Cooling system	36 qt.	34
Crankcase	13 qt.	12
Crankcase, including filter	14 qt.	13
Transmission case and filters	8 qt.	7.5
Front differential	17 qt.	16
Rear differential	17 qt.	16
Loader hydraulic sump	53 qt.	50
Hydrostatic transmission sump	25 qt.	24

Additional Standard Equipment:

Differential, conventional, front and rear	Automatic return-to-dig operator's station:
Engine:	Adjustable, deluxe suspension vinyl seat w/armrests
Alternator — 90 amp	Cigarette lighter w/ashtray
Antifreeze	Dual inside rearview mirrors
Cold weather (ether) starting aid	Dual level monitor system:
Fan guard	Two level warnings:
Fuel filter	Parking brake on
Muffler	Single-level warnings:
Precleaner and dry type air cleaner	Air filter restricted
Frames:	Engine coolant temperature
Articulation transport lock	Hydraulic filter restricted
Drawbar	HST filter restricted
Lift hooks	Low brake pressure
Lockable engine side shields and	Low electrical voltage
Rear bottom guard	Low engine oil pressure
Service steps, left-hand rear	Low transmission oil pressure
Hydraulics:	Low Power Shift transmission charge pressure
Hydraulic oil cooler	Power Shift transmission controller malfunction
Hydrostatic transmission oil cooler	Secondary steering (optional)
Power Shift transmission oil cooler	Indicator only:
Lights:	Turn signals
Driving w/guard	Floor mat
Flashing and turn signal	Hand grips
Stop and tail	Horn
Loader:	Instruments:
Automatic boom height control	Electric hourmeter
	Fuel gauge
	Key switch
	ROPS canopy w/two-inch (51 mm) seat belt
	Reverse warning alarm
	Vandal protection

Optional or Special Equipment:

Buckets:	Lights:
Bolt-on cutting edges	Front and rear work
Bucket teeth	Operator's station:
Engine:	Mirrors, outside
Additional battery	Radio — AM/FM for cab
Engine coolant heater	ROPS cab w/heater-defroster/pressurizer, dome light, front and rear windshield wiper and washer
Water separator, fuel	ROPS cab w/air conditioning, heater/defroster/pressurizer, dome light, front and rear windshield wiper and washer
Frames:	Seats:
Auxiliary bottom guards, transmission and front frame	Adjustable deluxe vinyl seat w/armrests
License plate bracket	Adjustable suspension cloth seat
Rear counterweights	w/armrests for cab
SMV emblem	Secondary steering
Front axle disconnect	Three-inch (76 mm) seat belt
Hydraulics:	
Two spool valve w/single-lever control	
Two spool valve w/two-lever control	
Three spool valve, single-lever control w/auxiliary control lever for third function	
Three spool valve, two-lever control w/auxiliary control lever for third function	

444E LOADER WITH COUPLER OPERATING INFORMATION — BUCKETS

OPERATING INFORMATION	GENERAL PURPOSE BUCKETS			
Capacity, heaped, SAE	1.5 cu. yd.* (1.2 m ³)	1.75 cu. yd.* (1.4 m ³)	2.0 cu. yd.* (1.5 m ³)	2.25 cu. yd. (1.7 m ³)
Capacity, struck, SAE	1.20 cu. yd. (0.92 m ³)	1.53 cu. yd. (1.17 m ³)	1.80 cu. yd. (1.38 m ³)	1.91 cu. yd. (1.46 m ³)
Bucket width	95.3 in. (2.42 m)	95.3 in. (2.42 m)	95.3 in. (2.42 m)	95.3 in. (2.42 m)
Breakout force SAE J732C	18,654 lb. (83.0 kN) (8460 kg)	16,950 lb. (75.4 kN) (7687 kg)	16,919 lb. (75.2 kN) (7673 kg)	14,908 lb. (66.3 kN) (6761 kg)
Tipping load, straight	14,030 lb. (6363 kg)	13,838 lb. (6276 kg)	13,713 lb. (6219 kg)	13,536 lb. (6139 kg)
Tipping load, 40 deg. full turn, SAE	12,130 lb. (5501 kg)	11,949 lb. (5419 kg)	11,835 lb. (5367 kg)	11,669 (5292 kg)
Reach at 45 deg. dump 7 ft. (2.13 m) clearance	53.7 in. (1364 mm)	55.0 in. (1396 mm)	55.0 in. (1396 mm)	56.7 in. (1441 mm)
Reach at 45 deg. dump, full height	32.8 in. (833 mm)	35.1 in. (892 mm)	35.1 (892 mm)	38.6 in. (980 mm)
Dump clearance at 45 deg. dump, full height	111.7 in. (2836 mm)	109.7 in. (2787 mm)	109.7 in. (2787 mm)	106.8 in. (2713 mm)
Overall length	20 ft. 8.6 in. (6.31 m)	20 ft. 11.6 in. (6.39 m)	20 ft. 11.6 in. (6.39 m)	21 ft. 4.3 in. (6.51 m)
Loader clearance circle bucket in carry position	34 ft. 5.8 in. (10.51 m)	34 ft. 7 in. (10.55 m)	34 ft. 7 in. (10.55 m)	35 ft. 2.7 in. (10.74 m)
Operating weight	19,474 lb. (8832 kg)	19,564 lb. (8873 kg)	19,626 lb. (8901 kg)	19,685 lb. (8927 kg)

All information is based on machine with all standard equipment. 17.5-25, 12 PR, L2 tires, one rear counterweight, ROPS cab, full fuel tank and 175-lb. (80 kg) operator. Operating information is affected by tire size, ballast and attachments. For selected items, add or subtract the following:

Adjustments to operating weights and tipping loads for 1.75 cu. yd. (1.4 m³) general purpose bucket and 48-in. (1219 mm) pallet fork.

Add (+) or deduct (-) lb. (kg) as indicated for machines with:	Loader Operating Weight	Bucket*		Fork*	
		Straight	Full Turn	Straight	Full Turn
15.5-25, 10 PR, L2 without CaCl ₂	- 352 lb. (160 kg)	- 247 lb. (112 kg)	- 216 lb. (98 kg)	- 168 lb. (76 kg)	- 67 lb. (30 kg)
15.5-25, 10 PR, L2 with CaCl ₂	+ 587 lb. (266 kg)	+ 1072 lb. (486 kg)	+ 935 lb. (424 kg)	+ 725 lb. (329 kg)	+ 633 lb. (287 kg)
17.5-25, 12 PR, L2 with CaCl ₂	+ 1180 lb. (535 kg)	+ 1656 lb. (751 kg)	+ 1447 lb. (656 kg)	+ 1120 lb. (508 kg)	+ 979 lb. (444 kg)
ROPS canopy in lieu of ROPS cab	- 265 lb. (120 kg)	- 229 lb. (104 kg)	- 183 lb. (83 kg)	- 154 lb. (70 kg)	- 123 lb. (56 kg)
Deduct one rear counterweight	- 617 lb. (280 kg)	- 1327 lb. (602 kg)	- 1089 lb. (494 kg)	- 900 lb. (408 kg)	- 739 lb. (335 kg)
**Add second rear counterweight	+ 530 lb. (240 kg)	+ 1154 lb. (523 kg)	+ 946 lb. (429 kg)	+ 780 lb. (354 kg)	+ 639 lb. (290 kg)

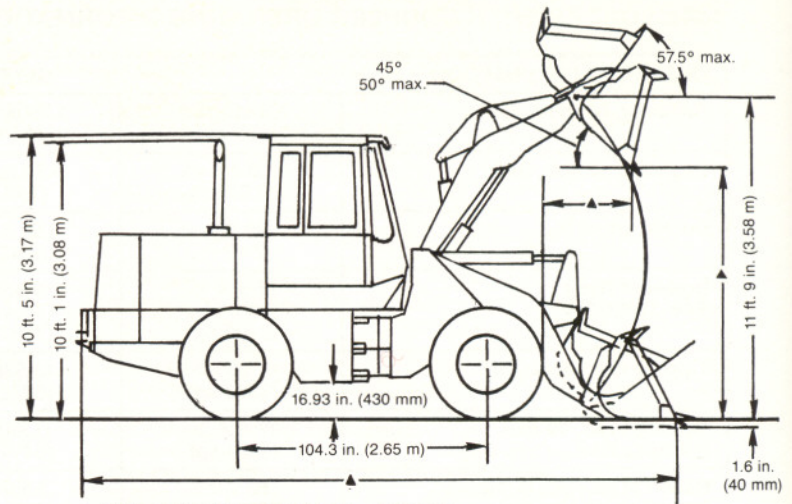
*Allied equipment ordered through John Deere dealer.

**Not to be used with CaCl₂

444E LOADER WITH COUPLER DIMENSIONS

444E LOADER WITH COUPLER DIMENSIONS

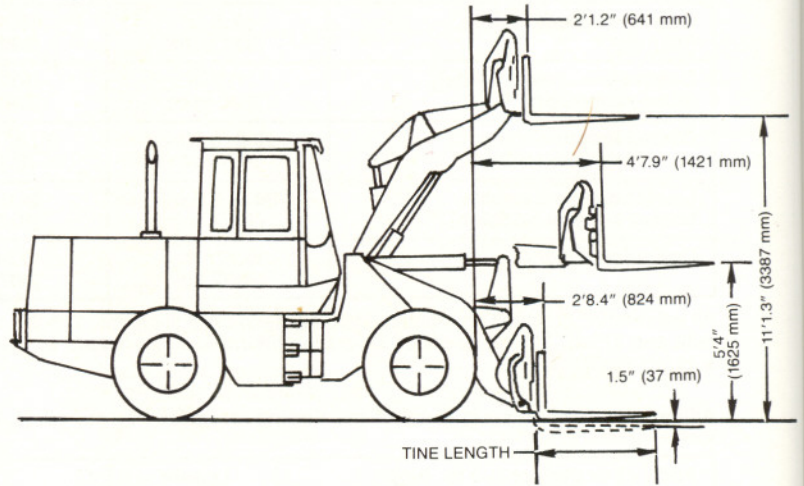
Size	TIRES	
	15.5-25	17.5-25
Tread width	72.83 in. (1850 mm)	72.83 in. (1850 mm)
Width over tires	88.35 in. (2244 mm)	90.35 in. (2295 mm)
Change in vertical height	- 1.58 in. (40 mm)	0



▲ SEE OPERATING INFORMATION — BUCKETS

OPERATING INFORMATION — PALLET FORK*

Tine length	48 in. (1219 mm)	54 in. (1372 mm)	60 in. (1534 mm)
Ground to top of tine clearance	11 ft. 1.3 in. (3387 mm)	11 ft. 1.3 in. (3387 mm)	11 ft. 1.3 in. (3387 mm)
Max. reach with fork level	4 ft. 7.9 in. (1421 mm)	4 ft. 7.9 in. (1421 mm)	4 ft. 7.9 in. (1421 mm)
Overall length	23 ft. 1.4 in. (7047 mm)	23 ft. 7.4 in. (7199 mm)	24 ft. 1.4 in. (7352 mm)
Tipping load, straight (fork level, load centered on tine)	9278 lb. (4208 kg)	8994 lb. (4079 kg)	8723 lb. (3956 kg)
Tipping load, 40-deg. full turn (fork level, load centered on tine)	8003 lb. (3629 kg)	7753 lb. (3516 kg)	7517 lb. (3409 kg)
Operating weight	19,368 lb. (8784 kg)	19,410 lb. (8803 kg)	19,449 lb. (8820 kg)



OPERATING INFORMATION — MATERIAL HANDLING ARM*

Boom position	Retracted	Mid-position	Extended
Operating load	2614 lb. (1185 kg)	2034 lb. (922 kg)	1764 lb. (800 kg)
Tipping load, straight	6064 lb. (2750 kg)	4721 lb. (2141 kg)	4099 lb. (1859 kg)
Tipping load, 40-deg. full turn	5228 lb. (2371 kg)	4068 lb. (1845 kg)	3528 lb. (1600 kg)
Operating weight	19,174 lb. (8696 kg)	19,174 lb. (8696 kg)	19,174 lb. (8696 kg)

*Allied Equipment ordered through John Deere dealer

