



JOHN DEERE

FORESTRY EQUIPMENT

FELLER-BUNCHERS



MODEL NO.

853G 953G



FELLER-BUNCHERS

Cuts wood but good.



Meet the 853G and 953G Feller-Bunchers. With their long reach and impressive payload, these bunchers are ideally suited for high-production logging in a variety of tough applications, including regeneration harvesting, swamp logging, or just about any 24-hour-shift operation. Both are versatile machines, with the 953G designed to handle larger trees, offering a longer reach and greater lift capacity. The excellent tractive effort of these units enhances maneuverability and performance – all the better to negotiate deep snow and tough terrain. Impressive swing torque gives you better tree control and more effective bunching on slopes. Bottom line, John Deere has the feller-buncher your operation has been demanding.

MODEL NO.

853G 953G

The load-sensing, pressure-compensated hydraulic system provides enhanced operator control and matches hydraulic output to engine power for maximum performance.



Impressive ground clearance and tractive effort make for excellent maneuverability.

Powerful halogen lights flood the work area to keep the night shift productive.



The superior reach on these units doesn't come at the expense of boom strength. Large cross-section main and stick booms use sealed bushings at all pivot points for extended life.





Finally, a cab that makes those long shifts seem a little shorter. This comfortable and well-designed work environment with integrated ROPS, FOPS, and OPS reduces fatigue and increases productivity throughout those long night shifts. The “cab-ahead” design positions the operator well forward for an excellent view of the work area. And gauges are placed to maximize visibility. Plenty of thought went into the design of controls, down to the adjustable-angle foot pedals. The cab is remarkably quiet with minimal vibration. Excellent temperature control and air circulation keep the operator comfortable. And there’s no shortage of storage, with areas behind the seat and alongside the pedals. Slip into this cab, and find your comfort zone.

Find your comfort zone.

Routine daily service checkpoints are readily accessible through lockable doors. The onboard toolbox is easily reached from the ground.



The high-capacity cooling system features an oversized radiator with a large swing-out hydraulic oil cooler – a breeze to clean out.



Visibility to the treetops is outstanding. And the removable skylight acts as a third exit from cab.



Excellent visibility to the head, tree, and general work area is a big part of the operating experience.

The rear enclosure opens to become a service platform, revealing a convenient "walk-through" design.

853G 953G

FELLER - BUNCHERS

SPECIFICATIONS



Engine		853G / 953G		
Type.....	Cummins 6CTA8.3 turbocharged			
Rated power @ 2,000 rpm	230 SAE gross hp (171 kW)			
Cylinders.....	6			
Displacement.....	504 cu. in. (8.3 L)			
Maximum net torque @ 1,500 rpm.....	720 lb.-ft. (976 Nm)			
Air cleaner	two-stage aspirated air cleaner			
Cooling system	oversized radiator and swing-out hydraulic oil cooler			
Cooling fan	suction type			
Electrical system.....	24 volt with 70-amp alternator			
Batteries (two 12 volt).....	1,000 cold cranking amps each, 300-min. reserve each			
Hydraulic System		853G	953G	
Main pumps.....	variable displacement axial piston pump		variable displacement axial piston pump	
Maximum rated flow	126 gpm (475 L/min.)		126 gpm (475 L/min.)	
Continuous saw pump	dedicated axial piston		dedicated axial piston	
Maximum rated flow	20.1 gpm (76 L/min.)		20.1 gpm (76 L/min.)	
Attachment pump (clamps and wrist).....	dedicated axial piston		dedicated axial piston	
Maximum rated flow	32 gpm (120 L/min.)		32 gpm (120 L/min.)	
Oil filtration	two five-micron return filters with bypass		two five-micron return filters with bypass	
Cylinders		853G / 953G		
	<i>Bore</i>	<i>Rod Diameter</i>	<i>Stroke</i>	
Boom (2).....	5 in. (127 mm)	3.5 in. (89 mm)	44.5 in. (1130 mm)	
Head tilt	5 in. (127 mm)	3.0 in. (76 mm)	44.5 in. (1130 mm)	
Arm	5 in. (127 mm)	3.5 in. (89 mm)	44.5 in. (1130 mm)	
Swing Mechanism		853G	953G	
Rotation	continuous 360 degrees		continuous 360 degrees	
Swing speed.....	6.9 rpm (maximum)		5.3 rpm (maximum)	
Swing brake.....	sealed wet multi-disc		sealed wet multi-disc	
Undercarriage				
Track chain pitch	8 in. (203 mm)		8.5 in. (216 mm)	
Carrier slides (per side).....	two bolt-on		two bolt-on	
Track rollers (per side)	8 tractor type		9 tractor type	
Track guides	1-in. (25 mm) thick high-abrasion-resistant material		1-in. (25 mm) thick high-abrasion-resistant material	
Track adjustment	hydraulic		hydraulic	
Travel speed, forward and reverse				
High	0-2.9 mph (0-4.7 km/h)		0-2.9 mph (0-4.7 km/h)	
Low	0-1.4 mph (0-2.3 km/h)		0-1.4 mph (0-2.3 km/h)	
Travel brakes	sealed, wet multi-disc; automatic application; integral with track drive gear boxes		sealed, wet multi-disc; automatic application; integral with track drive gear boxes	
Tractive effort.....	54,120 lb. (241 kN)		72,300 lb. (322 kN)	
Ground Pressure Data				
Double grouser, heavy duty - 24 in. (610 mm).....	9.0 psi (62 kPa)		9.9 psi (68 kPa)	
Single grouser, clipped corner, heavy duty				
24 in. (610 mm).....	9.0 psi (62 kPa)		9.9 psi (68 kPa)	
28 in. (710 mm).....	7.8 psi (54 kPa)		8.6 psi (59 kPa)	
Double grouser, heavy duty				
30 in. (760 mm).....	7.3 psi (50 kPa)		8.1 psi (56 kPa)	
Triple grouser, heavy duty				
36 in. (914 mm)*	6.2 psi (43 kPa)		N/A	
*Recommended for soft terrain only.				
Capacities		853G / 953G		
Fuel tank.....	295 gal. (1117 L)			
Cooling system	13.7 gal. (52 L)			
Engine lubrication, including filter	20 qt. (19 L)			
Hydraulic reservoir capacity.....	60 gal. (227 L)			
Swing gear box.....	4.6 qt. (4.5 L)			
Track drive gear box (each).....	5 qt. (4.8 L)			
Operating Weights		853G	953G	
Approximate operating weight includes all standard equipment, 925-lb. (420 kg) half-full fuel tank, all fluids, 175-lb. (80 kg) operator, 7,180-lb. (3256 kg) FS22 felling head for the 853G, and 7,900-lb. (3582 kg) FS24 felling head for the 953G				
	64,300 lb. (29 166 kg)		77,200 lb. (35 020 kg)	

Felling Head Information

853G

953G

Continuous-type disc saw

FS22 – 22-in. (560 mm) cutting capacity.....7,180 lb. (3257 kg)

FS24 – 24-in. (610 mm) cutting capacity.....

N/A

7,900 lb. (3582 kg)

Operating Information

Maximum cutting radius26 ft. 11 in. (323 in.) (8.2 m)

Minimum cutting radius15 ft. 10 in. (190 in.) (4.8 m)

Cutting sweep.....11 ft. 1 in. (133 in.) (3.4 m)

Lift capacity

@ 26-ft. 11-in. (8.2 m) with FS22 felling head.....6,100 lb. (2767 kg)

@ 28-ft. 3-in. (8.6 m) with FS24 felling head.....

28 ft. 3 in. (339 in.) (8.6 m)

17 ft. 10 in. (214 in.) (5.4 m)

10 ft. 5 in. (125 in.) (3.2 m)

7,400 lb. (3555 kg)

Dimensions

A Overall height

With skylight12 ft. 5 in. (149 in.) (3.78 m)

Less skylight11 ft. 6 in. (138 in.) (3.50 m)

B Overall track length.....14 ft. 6 in. (174 in.) (4.42 m)

C Track length (idler to sprocket center).....11 ft. (132 in.) (3.35 m)

D Tail swing (from swing center line).....10 ft. (120 in.) (3.00 m)

E Reach

FS22 felling head for the 853G and FS24
felling head for the 953G

Maximum26 ft. 11 in. (323 in.) (8.20 m)

Minimum15 ft. 10 in. (190 in.) (4.80 m)

F Ground clearance

Single grouser shoes.....29.1 in. (739 mm)

Double grouser shoes27.8 in. (705 mm)

Triple grouser shoes.....27.2 (691 mm)

G Upperstructure width9 ft. 9 in. (117 in.) (2.97 m)

H Track gauge8 ft. 4 in. (100 in.) (2.54 m)

I Width over tracks with 24-in. (610 mm)

track shoes10 ft. 4 in. (124 in.) (3.15 m)

12 ft. 8 in. (152 in.) (3.86 m)

11 ft. 9 in. (141 in.) (3.58 m)

15 ft. 6 in. (186 in.) (4.72 m)

12 ft. (144 in.) (3.66 m)

10 ft. 7 in. (127 in.) (3.20 m)

28 ft. 3 in. (339 in.) (8.60 m)

17 ft. 10 in. (214 in.) (5.40 m)

29.5 in. (749 mm)

28.6 in. (732 mm)

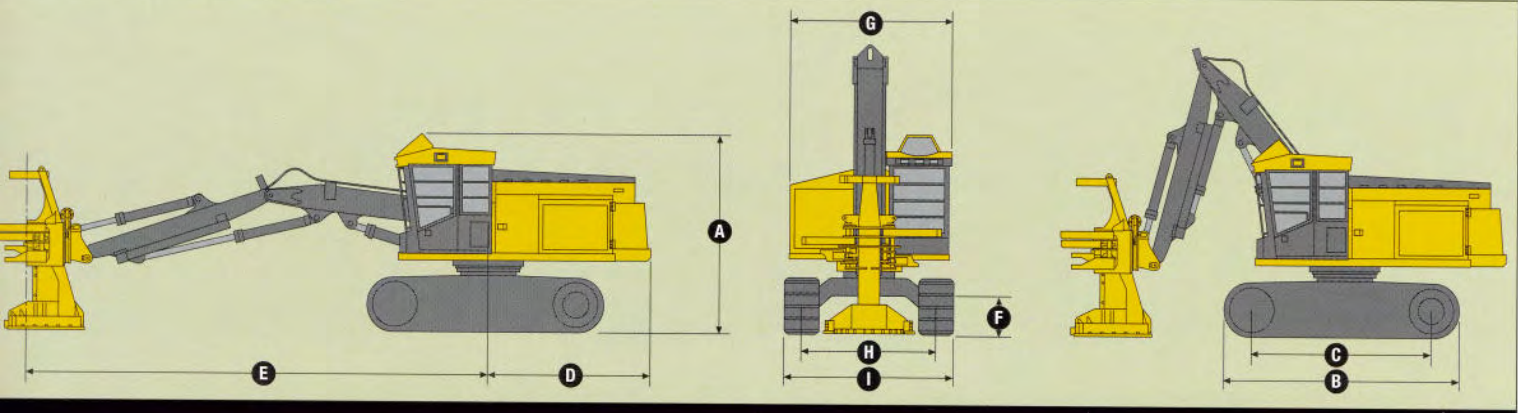
N/A

9 ft. 9 in. (117 in.) (2.97 m)

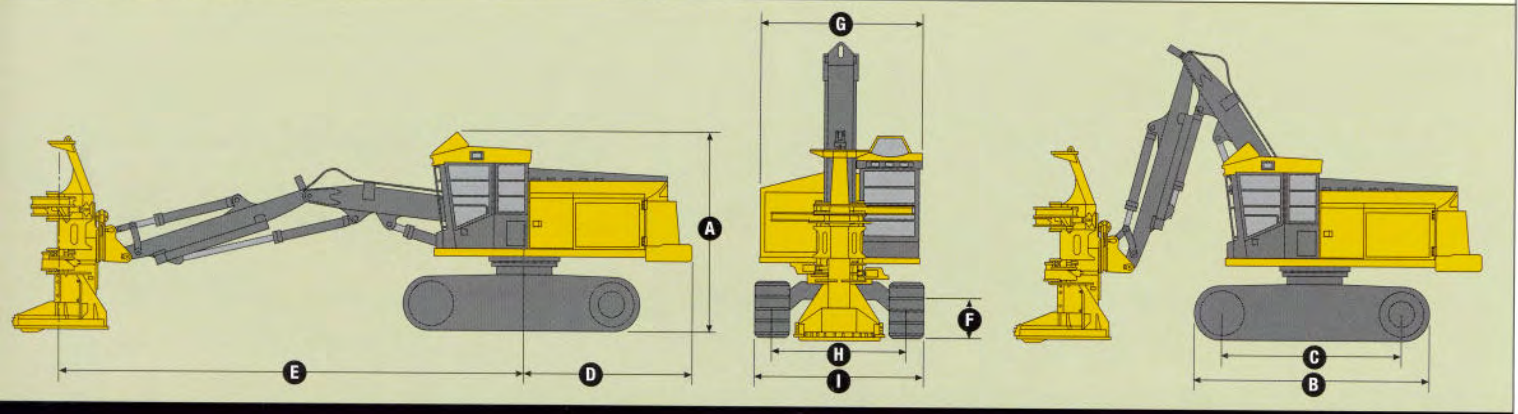
8 ft. 5 in. (101 in.) (2.57 m)

10 ft. 5 in. (125 in.) (3.17 m)

853G Feller-Buncher



953G Feller-Buncher



853G / 953G Feller-Bunchers

Key: ● Standard equipment ▲ Optional or special equipment

See your John Deere dealer for further information.

853 953 Engine

- ● Cummins 6CTA8.3 turbocharged, 6 cylinder, 230 SAE gross hp (171 kW)
- ● Air filters, dual stage, dry type with unloader valve
- ● Antifreeze
- ● Electric fuel shutoff
- ● Engine compartment service lights (two [2])
- ● Fuel filters, dual stage with water separator
- ● Isolation-mounted engine
- ● Muffler, low restriction
- ● Oil drain shutoff for spill-free oil changes
- ● Oil filter, full flow with bypass
- ● Oil-to-water engine oil cooler
- ● Spill-free fuel filter change
- ● Suction-type cooling fan, enclosed with guard

Hydraulic System

- ● Adaptable to: Continuous disc saws
- ▲ ▲ Adaptable to: Harvesting/processing heads
- ● Fill-through hand pump with filter
- ● Hydraulic filter restriction indicator light
- ● Hydraulic reservoir low oil level indicator light
- ▲ ▲ Hydraulic reservoir heater
- ● Oil cooler, heavy-duty in-line core

Undercarriage

- ● Heavy-duty one-piece purpose-built forestry undercarriage frame
- ● Propel drives: Fully enclosed propel-drive motors / Motion warning alarm / Planetary type with sealed, wet multi-disc brakes / Two speed, operator selectable
- ● Tow hooks, front and rear
- ● Track chain, 8.0-in. (203.2 mm) pitch heavy duty
- ● Track chain, 8.5-in. (216.0 mm) pitch heavy duty
- ● Track guides, full length, integral
- ● Track shoes, 24-in. (610 mm) double-bar grouser, heavy-duty, open center

853 953 Undercarriage (continued)

- ▲ ▲ Track shoes, 24-in. (610 mm) single-bar grouser, clipped corner, heavy-duty, open center
- ▲ ▲ Track shoes, 28-in. (710 mm) single-bar grouser, clipped corner, heavy-duty, open center
- ▲ ▲ Track shoes, 30-in. (760 mm) double-bar grouser, heavy-duty, open center
- ▲ ▲ Track shoes, 36-in. (914 mm) triple-bar grouser, heavy-duty (require top rollers in lieu of slides)
- ▲ ▲ Top rollers in lieu of slides (required with 36-in. [914 mm] track shoes for the 853G)

Upperstructure

- ● Electrohydraulic operated enclosure
- ● Integral forestry guarding
- ● Lockable: Fuel cap / Hydraulic reservoir
- ● Toolbox
- ▲ ▲ Automatic fire-suppression system

Front

- ● Heavy-duty box-constructed boom and arm
- ● Purpose-built, specialized geometry for maximum cutting sweep
- ● Remote lubrication for boom-to-arm pin
- ▲ ▲ Automatic grease lubrication system for carrier and boom set, except felling head, with 10-lb. reservoir
- ● Sealed pins and bushings

Operator's Station

- ● Air conditioner (R134a refrigerant)
- ● AM-FM stereo cassette radio, digital tuning
- ● Fire extinguisher, 10 lb.
- ● Floor mat
- ● Forestry cab with integral ROPS, FOPS, and OPS protective structures
- ● Gauges, with backlighting: Engine coolant temperature / Engine oil pressure / Fuel level / Hourmeter / Hydraulic oil temperature / Tachometer / Voltage
- ● Hand throttle

853 953 Operator's Station (continued)

- ● Headliner
- ● Heater, 41,000 BTU
- ● Horn system warning for: Enclosure open / Engine oil pressure / High engine coolant temperature / High hydraulic oil temperature
- ● Indicator light display module: Engine air filter restriction / Hydraulic filter restriction / Hydraulic oil reservoir level / Low engine coolant level / Low pump inlet pressure
- ● Interior light
- ● Lockable cab door
- ● Low-effort pilot-operated controls
- ● Operator manual storage
- ● Reverse-slope front window
- ● Seat armrest height adjustment
- ● Seat backrest angle adjustment
- ● Seat belt, 3-in. wide
- ● Seat, fabric-covered, deluxe knee-action suspension
- ● Seat, independent adjustments to control levers and propel pedals
- ● Seat suspension weight adjustment
- ● Secondary exits (rear cab and treetop windows)
- ● Tinted polycarbonate windows
- ● Treetop window

Electrical

- ● 24 volt
- ● 24- to 12-volt converter
- ● Alternator, 70 amp
- ● Battery disconnect
- ● Dual, heavy-duty, low-maintenance batteries
- ● Work lights (six [6] twin-power halogen lights)

Felling Head

- FS22 22-in. continuous disc saw, swing-to-tree
- FS24 24-in. continuous disc saw, swing-to-tree
- ▲ Wear Tech™ abrasion-resistant material

Control Owning and Operating Costs

Total Repair Cost Management (TRCM) is part of John Deere's proactive, fix-before-fail strategy on machine maintenance that will help control costs, increase profits, and reduce stress. Included in this comprehensive lineup of ongoing programs and services are:

OilScan® Plus program – tells you what's going on inside *all* of your machine's major components so you'll know if there's a problem *before* you see a decline in performance. OilScan Plus oil analysis is included in most SECURE®-Extended warranty and preventive-maintenance agreements.

Component life-cycle data – gives you vital information on the projected life span of components and lets you make informed decisions on machine maintenance by telling you approximately how many hours of use you can expect from an engine, transmission, or hydraulic pump. This information can be used to preempt catastrophic downtime by servicing major components at about 80 percent of their life cycle.

Preventive Maintenance (PM) agreements – give you a fixed cost for maintaining a machine for a given period of time. They also help you avoid downtime by ensuring that critical maintenance work

gets done right and on schedule. On-site preventive maintenance service performed where and when you need it helps protect you from the expense of catastrophic failures and lets you avoid waste-disposal hassles.

SECURE-Extended warranty – gives you a fixed cost for machine repairs for a given period of time so you can effectively manage costs. Whether you work in a severe-service setting or just want to spread the risk of doing business, this is a great way to custom-fit coverage for your operation. And a SECURE-Extended contract also travels well because it's backed by John Deere and is honored by *all* Deere construction dealers.

Customer Support Advisors (CSAs) – Deere believes the CSA program lends a *personal* quality to Total Repair Cost Management. Certified CSAs have the knowledge and skills for helping make important decisions on machine maintenance and repair. Their mission is to help you implement a plan that's right for *your* business and take the burden of machine maintenance off your shoulders.



JOHN DEERE

Gross power is without cooling fan. Approximate operating weight includes all standard equipment, 925-lb. (420 kg) half-full fuel tank, all fluids, 175-lb. (80 kg) operator, 7,180-lb. (3256 kg) FS22 felling head for the 853G, and 7,900-lb. (3582 kg) FS24 felling head for the 953G.

Specifications and design subject to change without notice and without incurring any obligation to make such changes on machines manufactured previously. Wherever possible, specifications are in accordance with SAE standards. Except where otherwise noted, these specifications are based on a machine with standard equipment. Some items shown are optional. Errors and omissions excepted.

