

184 G

Compact Wheel Loader



JOHN DEERE





SAY HELLO TO NEW POSSIBILITIES

The John Deere G-Tier Compact Wheel Loader lineup delivers rugged, reliable, and economical solutions that don't sacrifice equipment quality or dealer support. Simple and intuitive machine functionality is a perfect fit for novice operators, while performance-enhancing options expand capabilities to boost the performance of experienced pros. Whether you work in site development, landscaping, or ag material handling, the compact stature with outsize ability of our new 184 G-Tier is just one of the many customer-inspired ideas designed to move your operation to a new level of productivity.

184 G-TIER COMPACT WHEEL LOADER

FEATURES



New can-do attitude

With its smooth-running turbocharged Yanmar engine that delivers 48 gross horsepower, the economical new 184 G-Tier packs plenty of power and torque reserve. Reliable features and functions similar to the 204 G-Tier help shorten the learning curve for operators of all skill levels.

Power play

Limited-slip differential lock automatically delivers power to the tire with the best traction, for extra bucket-filling effort.

Comfort in the cab

Cab design features frameless doors and an expansive ceiling-to-floor windshield with a clear view to the front tires. Adjustable display mounted on the A-post rail provides a wealth of operating info. Optimized air-flow through the HVAC system enhances operator comfort.

Low-profile overachiever

At just under 8-feet tall with open ROPS canopy design — shorter than some other wheel loaders in its class — the 184 G-Tier can capably maneuver in a variety of low-clearance working conditions.

Complete your bucket list

Ideally sized for material-handling applications, the new Deere-designed 0.9-cubic-yard bucket can be effortlessly attached to either a Quik-Tatch™ or hook/Euro-style coupler.



NEW
184 G-TIER
= COMPACT & ECONOMICAL

Ready, set, attach

Electrohydraulic (EH) third-function controls built into the hydraulic controller enable easy utilization of attachments that require third-function hydraulics when you want to expand your capabilities.

Keep things simple

Ground-level fuel fill and extended service intervals help simplify routine maintenance.

Close at hand

Boom, bucket, F-N-R, and third-function hydraulics are positioned on the same ergonomic low-effort lever, for convenient one-hand control. Handy switches put control of the coupler, travel speed, park brake, lights, and other functions within easy reach.

Ride it out

Operator-defined settings allow optional speed-activated ride control to automatically switch off and on when established speed thresholds are reached.

The choice is yours

ROPS-certified open-canopy model is designed to withstand the elements — with weather-resistant gauges, an extended rooftop, nonskid floor mats, and optional vandal proofing. For year-round comfort, opt for a heated and air-conditioned low-profile cab.

Go with the flow

Cooling package has been designed with larger entry/exit screens to optimize flow and performance.



184 G-TIER COMPACT WHEEL LOADER



**LARGE
FUEL TANK**
LETS YOU RUN LONGER
BETWEEN FILL-UPS OVER
L-SERIES MACHINES

Keep working longer

Large fuel tank let you run longer between fill-ups. Durable plastic construction helps prevent damage and rust, extending wear life.

Business booster

John Deere attachments are a great way to expand the flexibility of your operation. With more than 100 models, they'll help you broaden your abilities, work smarter, and accomplish even more.

Here to back you up

Parts and service are always available at over 1,400 John Deere dealer locations throughout North America.



184 G-TIER WHEEL LOADER SPECIFICATIONS

While general information, pictures, and descriptions are provided, some illustrations and text may include product options and accessories NOT AVAILABLE in all regions, and in some countries products and accessories may require modifications or additions to ensure compliance with the local regulations of those countries.

Engine		184 G-TIER
Manufacturer and Model		Yanmar 4TNV88C
Non-Road Emission Standard		EPA Final Tier 4 / EU Stage V
Cylinders		4
Valves per Cylinder		4
Displacement		2.2 L (134 cu. in.)
Net Peak Power at 2,200 rpm (SAE J1349 / ISO 9249)		33 kW (44 hp)
Gross Rated Power at 2,200 rpm (ISO 14396)		36 kW (48 hp)
Peak Torque at 1,950 rpm (SAE J1349 / ISO 9249)		146 Nm (108 lb.-ft.)
Engine Bore and Stroke		88 x 90 mm (3.46 x 3.54 in.)
Lubrication		Pressure system with full-flow spin-on filter
Aspiration		Naturally aspirated
Air Cleaner		Dual safety element dry type
Cooling		
Fan		Direct driven
Engine Coolant Rating		-37 deg. C (-34 deg. F)
Powertrain		
Type		Hydrostatic (HST) with infinitely variable speed control over full range of operating speeds; 2 speed ranges; joystick-mounted F-N-R; acceleration pedal; HST inching pedal, which allows infinitely reduced travel speeds while maintaining full engine rpm and hydraulic flow
2 Travel Speeds in Forward and Reverse (equipped with 365/70R18 tires)		
Gear 1		6.0 km/h (3.7 mph)
Gear 2		20.0 km/h (12.4 mph)
Axles		Rigid-mount front and rear axles with 10-deg. frame oscillation
Rear-Axle Versus Front-Axle Oscillation		20 deg. total, stop to stop
Differentials		45% locking front and rear differentials
Maximum Rise and Fall, Single Wheel		254 mm (10 in.)
Steering		Hydraulic power steering (SAE J1511); 40-deg. articulation left and right
Steering Wheel Turns, Stop to Stop		3.5 left to 4.5 right
Articulation Angle		80-deg. arc (40 deg. each direction)
Final Drive		Heavy-duty outboard planetary
Brakes (SAE J1473 / ISO 3450)		
Service Brakes		Hydraulically actuated, self-adjusting internal wet-disc brake and driveline drum brake
Parking Brake		Automatically spring-applied, hydraulically released, internal wet disc
Hydraulics		
Main Pump (loader and steering)		Fixed-displacement gear pump; open-center system
Maximum Rated Flow at 6895 kPa (1,000 psi)		61 L/m (16 gpm)
Maximum Pressure at Couplings		23 000 kPa (3,336 psi)
System Relief Pressure		
Loader		23 000 kPa (3,336 psi)
Steering		18 000 kPa (2,611 psi)
Hydraulic Cycle Time		
Raise		4.6 sec.
Dump		1.3 sec.
Lower (power down)		3.0 sec.
Total		8.9 sec.
Controls		3-function valve with single-lever control for boom and bucket, with hydraulic lockout feature; joystick-mounted push-button electrohydraulic (EH) control for auxiliary hydraulics, with hydraulic lockout feature; ride control electrically actuated for improved ride quality (factory and field option)
Cylinders		
Type		Heat-treated, chrome-plated, polished cylinder rods; hardened steel (replaceable bushings) pivot pins

184 G-TIER WHEEL LOADER SPECIFICATIONS

184

G

While general information, pictures, and descriptions are provided, some illustrations and text may include product options and accessories NOT AVAILABLE in all regions, and in some countries products and accessories may require modifications or additions to ensure compliance with the local regulations of those countries.

Electrical		184 G-TIER	
Type	Electrical load center with blade-type multi-fused circuits		
Voltage	12 volt		
Number of Batteries	1		
Battery Capacity	830 CCA		
Alternator Rating	80 amp		
Lights (SAE 99)	Driving/front working lights (2), rear working lights (2), turn signals, flashers, and stop- and taillights		
Operator's Station			
Noise Level (ISO 6396)			
Operator Ear	78 dba		
Bystander	101 dba		
Tires/Wheels			
Tires on Single-Piece Rims	Tread Width*	Width Over Tires†	Change in Vertical Height
365/70R18 Mitas EM-01 (standard)	1370 mm (4 ft. 6 in.)	1780 mm (5 ft. 10 in.)	—
405/70R18 Firestone Duraforce (optional)	1360 mm (4 ft. 6 in.)	1820 mm (6 ft. 0 in.)	23 mm (0.9 in.)
*Also see I in Dimensions section on pages 8 and 9. / †Also see J in Dimensions section on pages 8 and 9.			
Serviceability			
Refill Capacities		Refill Capacities (continued)	
Cooling System (engine and radiator)	10.0 L (10.6 qt.)	Fuel Tank	62.0 L (16.4 gal.)
Differential and Planetary Axle		Hydraulic/HST Reservoir	45.0 L (11.9 gal.)
Front	5.5 L (5.8 qt.)	With Filter	
Rear	5.5 L (5.8 qt.)	HST Motor Gearbox	0.5 L (0.5 qt.)
Engine Oil With Filter	7.4 L (7.8 qt.)		
Operating Weights			
With standard equipment, 365/70R18 tires, standard counterweight, 79-kg (175 lb.) operator, and full fuel tank			
	With Enclosed Cab	With Open ROPS	
Quik-Tatch™ Quick-Coupler			
With 0.7-m ³ (0.9 cu. yd.) General-Purpose Bucket	4840 kg (10,670 lb.)	4820 kg (10,626 lb.)	
With Bolt-On Edge			
With 0.8-m ³ (1.0 cu. yd.) General-Purpose Bucket	4880 kg (10,759 lb.)	4830 kg (10,648 lb.)	
With Bolt-On Edge			
With 1.1-m ³ (1.4 cu. yd.) General-Purpose Bucket	4990 kg (11,001 lb.)	4940 kg (10,891 lb.)	
With Bolt-On Edge			
With Fork	4760 kg (10,494 lb.)	4710 kg (10,384 lb.)	
Hook/Euro Quick-Coupler			
With 0.7-m ³ (0.9 cu. yd.) General-Purpose Bucket	4660 kg (10,274 lb.)	4610 kg (10,163 lb.)	
With Bolt-On Edge			
With 0.8-m ³ (1.0 cu. yd.) General-Purpose Bucket	4690 kg (10,340 lb.)	4640 kg (10,229 lb.)	
With Bolt-On Edge			
With 1.1-m ³ (1.4 cu. yd.) General-Purpose Bucket	4810 kg (10,604 lb.)	4760 kg (10,494 lb.)	
With Bolt-On Edge			
With Fork	4590 kg (10,119 lb.)	4540 kg (10,009 lb.)	
Optional Components			
Quik-Tatch Quick-Coupler			
With 0.7-m ³ (0.9 cu. yd.) Bucket	389 kg (858 lb.)	389 kg (858 lb.)	
With 0.8-m ³ (1.0 cu. yd.) Bucket	405 kg (893 lb.)	405 kg (893 lb.)	
With 1.1-m ³ (1.4 cu. yd.) Bucket	481 kg (1,061 lb.)	481 kg (1,061 lb.)	
With Fork and Tines	328 kg (723 lb.)	328 kg (723 lb.)	
Hook/Euro Quick-Coupler			
With 0.7-m ³ (0.9 cu. yd.) Bucket	306 kg (675 lb.)	306 kg (675 lb.)	
With 0.8-m ³ (1.0 cu. yd.) Bucket	337 kg (743 lb.)	337 kg (743 lb.)	
With 1.1-m ³ (1.4 cu. yd.) Bucket	457 kg (1,008 lb.)	457 kg (1,008 lb.)	
With Fork and Tines	235 kg (518 lb.)	235 kg (518 lb.)	

Dimensions and Specifications With Quik-Tatch Coupler and Bucket OR With Hook/Euro Quick-Coupler and Bucket			
		184 G-TIER	
Dimensions With Quik-Tatch Coupler OR With Hook/Euro Quick-Coupler / With General-Purpose (GP) Bucket With Bolt-On Edge			
		0.7 m ³ (0.9 cu. yd.)	0.8 m ³ (1.0 cu. yd.)
		1.1 m ³ (1.4 cu. yd.)	
A	Height to Top of Cab	2455 mm (8 ft. 1 in.)	2455 mm (8 ft. 1 in.)
A'	Height to Top of Canopy	2430 mm (8 ft. 0 in.)	2430 mm (8 ft. 0 in.)
B	Height to Top of Exhaust	1850 mm (6 ft. 1 in.)	1850 mm (6 ft. 1 in.)
C	Length From Centerline to Front Axle	1070 mm (3 ft. 6 in.)	1070 mm (3 ft. 6 in.)
D	Wheelbase	2150 mm (7 ft. 1 in.)	2150 mm (7 ft. 1 in.)
E	Height to Hinge Pin, Fully Raised	3160 mm (10 ft. 4 in.)	3160 mm (10 ft. 4 in.)
F	Maximum Digging Depth	80 mm (3.0 in.)	80 mm (3.0 in.)
G	Maximum Rollback at Ground Level	42 deg.	42 deg.
H	Maximum Rollback at Full Height	65 deg.	65 deg.
I	Tread Width (standard) ⁸	1370 mm (4 ft. 6 in.)	1370 mm (4 ft. 6 in.)
J	Width Over Tires (standard) ⁸	1780 mm (5 ft. 10 in.)	1780 mm (5 ft. 10 in.)
K	Ground Clearance	292 mm (12 in.)	292 mm (12 in.)
⁸ Also see Tires/Wheels section on page 7.			
Dimensions With Quik-Tatch Coupler and GP Bucket With Bolt-On Edge			
L	Overall Length, Bucket on Ground	5420 mm (17 ft. 9 in.)	5450 mm (17 ft. 11 in.)
M	Dump Clearance, 40-deg. Full Height	2420 mm (7 ft. 11 in.)	2390 mm (7 ft. 10 in.)
N	Reach, 40-deg. Dump, Full Height	859 mm (34 in.)	888 mm (35 in.)
O	Maximum Reach, 42-deg. Dump	1580 mm (5 ft. 2 in.)	1600 mm (5 ft. 3 in.)
P	Bucket Dump at Full Height	40 deg.	40 deg.
Q	Turning Circle Radius Over Outside of Bucket Edge	4330 mm (14 ft. 2 in.)	4340 mm (14 ft. 3 in.)
R	Bucket Width	1.90 m (6 ft. 3 in.)	1.90 m (6 ft. 3 in.)
Specifications With Quik-Tatch Coupler and GP Bucket With Bolt-On Edge			
	Capacity, Heaped, SAE	0.7 m ³ (0.9 cu. yd.)	0.8 m ³ (1.1 cu. yd.)
	Capacity, Struck, SAE	0.6 m ³ (0.8 cu. yd.)	0.7 m ³ (0.9 cu. yd.)
	Breakout Force, SAE J732C	3250 kg (7,165 lb.)	3060 kg (6,746 lb.)
	Tipping Load, Straight	2950 kg (6,504 lb.)	2930 kg (6,460 lb.)
	Tipping Load, Full Turn, SAE	2600 kg (5,732 lb.)	2580 kg (5,688 lb.)
	Rated Operating Load, 50% of Full-Turn Tipping Load (conforms to ISO 14397-1)*	1300 kg (2,866 lb.)	1290 kg (2,844 lb.)
<i>*Rated operating capacity based on Deere attachments only.</i>			
Dimensions With Hook/Euro Quick-Coupler and GP Bucket With Bolt-On Edge			
L	Overall Length, Bucket on Ground	5290 mm (17 ft. 4 in.)	5330 mm (17 ft. 6 in.)
M	Dump Clearance, 40-deg. Full Height	2470 mm (8 ft. 1 in.)	2440 mm (8 ft. 0 in.)
N	Reach, 40-deg. Dump, Full Height	718 mm (28 in.)	746 mm (29 in.)
O	Maximum Reach, 42-deg. Dump	1490 mm (4 ft. 11 in.)	1517 mm (5 ft. 0 in.)
P	Bucket Dump at Full Height	42 deg.	42 deg.
Q	Turning Circle Radius Over Outside of Bucket Edge	4240 mm (13 ft. 11 in.)	4300 mm (14 ft. 1 in.)
R	Bucket Width	1.90 m (6 ft. 3 in.)	1.90 m (6 ft. 3 in.)
Specifications With Hook/Euro Quick-Coupler and GP Bucket With Bolt-On Edge			
	Capacity, Heaped, SAE	0.7 m ³ (0.9 cu. yd.)	0.8 m ³ (1.1 cu. yd.)
	Capacity, Struck, SAE	0.6 m ³ (0.8 cu. yd.)	0.7 m ³ (0.9 cu. yd.)
	Breakout Force, SAE J732C	4080 kg (8,995 lb.)	3870 kg (8,532 lb.)
	Tipping Load, Straight	3390 kg (7,474 lb.)	3340 kg (7,363 lb.)
	Tipping Load, Full Turn, SAE	2990 kg (6,592 lb.)	2950 kg (6,504 lb.)
	Rated Operating Load, 50% of Full-Turn Tipping Load (conforms to ISO 14397-1)*	1495 kg (3,296 lb.)	1475 kg (3,252 lb.)
<i>*Rated operating capacity based on Deere attachments only.</i>			

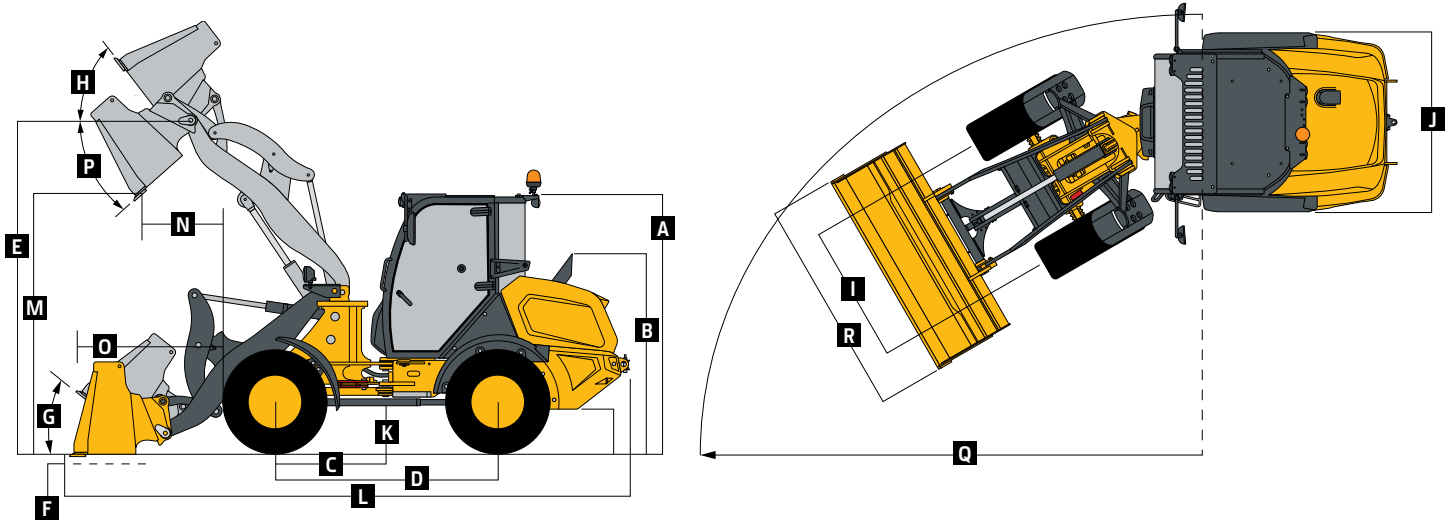
While general information, pictures, and descriptions are provided, some illustrations and text may include product options and accessories NOT AVAILABLE in all regions, and in some countries products and accessories may require modifications or additions to ensure compliance with the local regulations of those countries.

184 G-TIER

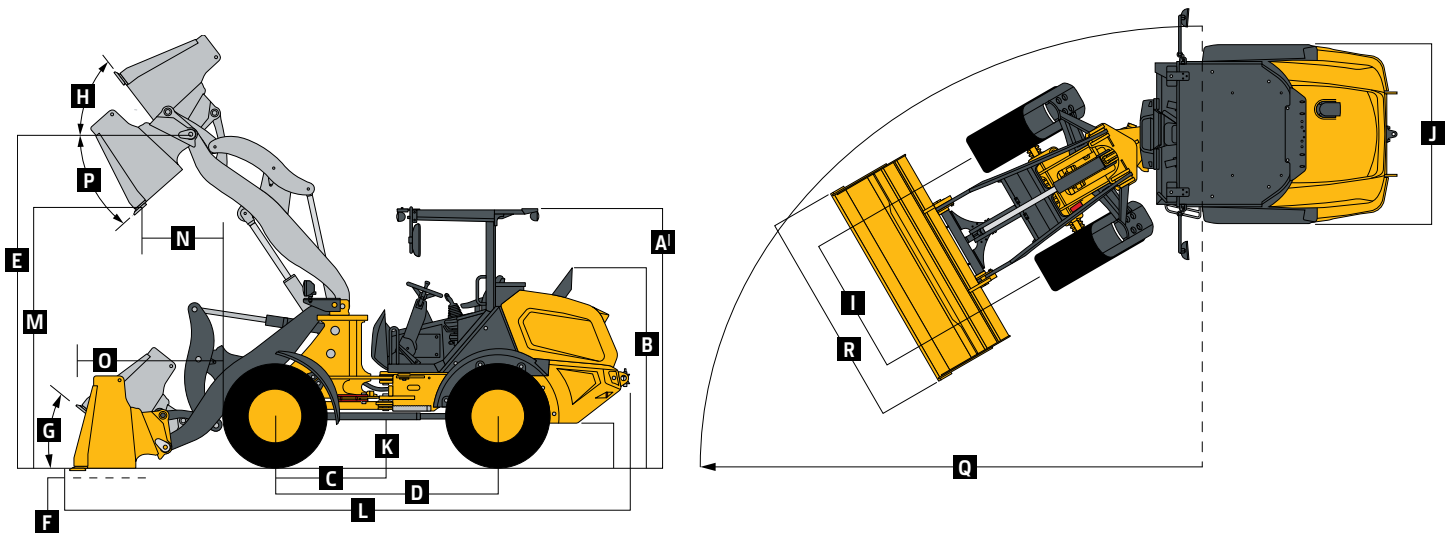
Dimensions and Specifications With Quik-Tatch Coupler and Bucket OR With Hook/Euro Quick-Coupler and Bucket (continued)

184 G-TIER

184 G-TIER LOADER WITH CAB, QUIK-TATCH COUPLER OR HOOK/EURO QUICK-COUPLER, AND BUCKET



184 G-TIER LOADER WITH CANOPY, QUIK-TATCH COUPLER OR HOOK/EURO QUICK-COUPLER, AND BUCKET



184 G-TIER

While general information, pictures, and descriptions are provided, some illustrations and text may include product options and accessories NOT AVAILABLE in all regions, and in some countries products and accessories may require modifications or additions to ensure compliance with the local regulations of those countries.

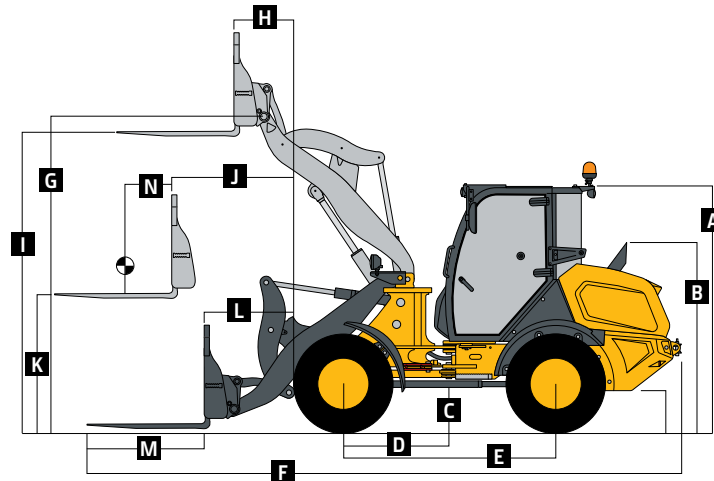
Dimensions and Specifications With Quik-Tatch Coupler and Fork OR With Hook/Euro Quick-Coupler and Fork

184 G-TIER

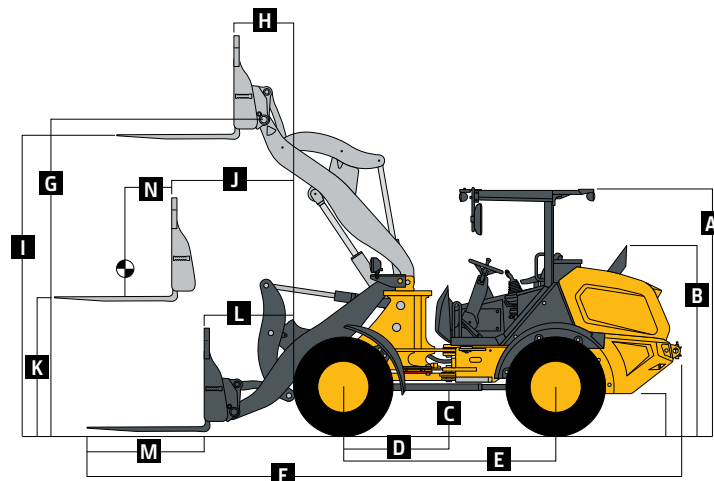
Dimensions With Fork	Quik-Tatch Coupler and 1.2-m (48 in.) tine length	Quik-Tatch Coupler and 1.52-m (60 in.) tine length	Hook/Euro Quick-Coupler and 1.2-m (48 in.) tine length
A Height to Top of Cab	2455 mm (8 ft. 1 in.)	2455 mm (8 ft. 1 in.)	2455 mm (8 ft. 1 in.)
A ¹ Height to Top of Canopy	2430 mm (8 ft. 0 in.)	2430 mm (8 ft. 0 in.)	2430 mm (8 ft. 0 in.)
B Height to Top of Exhaust	1850 mm (6 ft. 1 in.)	1850 mm (6 ft. 1 in.)	1850 mm (6 ft. 1 in.)
C Ground Clearance	292 mm (12 in.)	292 mm (12 in.)	292 mm (12 in.)
D Length From Centerline to Front Axle	1070 mm (3 ft. 6 in.)	1070 mm (3 ft. 6 in.)	1070 mm (3 ft. 6 in.)
E Wheelbase	2150 mm (7 ft. 1 in.)	2150 mm (7 ft. 1 in.)	2150 mm (7 ft. 1 in.)
F Overall Length, Forks on Ground	6040 mm (19 ft. 10 in.)	6350 mm (20 ft. 10 in.)	5920 mm (19 ft. 5 in.)
G Height to Hinge Pin, Fully Raised	3160 mm (10 ft. 4 in.)	3160 mm (10 ft. 4 in.)	3160 mm (10 ft. 4 in.)
H Reach, Fully Raised	564 mm (22 in.)	564 mm (22 in.)	478 mm (19 in.)
I Fork Height, Fully Raised	2970 mm (9 ft. 9 in.)	2970 mm (9 ft. 9 in.)	2990 mm (9 ft. 10 in.)
J Maximum Reach, Fork Level	1325 mm (4 ft. 4 in.)	1325 mm (4 ft. 4 in.)	1240 mm (4 ft. 1 in.)
K Fork Height, Maximum Reach	1310 mm (4 ft. 4 in.)	1310 mm (4 ft. 4 in.)	1330 mm (4 ft. 4 in.)
L Reach, Ground Level	933 mm (3 ft. 1 in.)	933 mm (3 ft. 1 in.)	828 mm (33 in.)
M Tine Length	1219 mm (48 in.)	1524 mm (60 in.)	1200 mm (48 in.)
N Load Position, 50% Tine Length	610 mm (24 in.)	760 mm (30 in.)	600 mm (24 in.)
Specifications With Hook/Euro Quick-Coupler and Fork	<i>As measured with fork level, centered on tine</i>		
Tipping Load, Straight	2330 kg (5,137 lb.)	2330 kg (5,137 lb.)	2630 kg (5,798 lb.)
Tipping Load, Full Turn, SAE	2060 kg (4,542 lb.)	2060 kg (4,542 lb.)	2320 kg (5,115 lb.)
Rated Operating Load, 50% Full-Turn Tipping Load (conforms to SAE J1197 / ISO 14397-1)*	1030 kg (2,271 lb.) [†]	1030 kg (2,271 lb.) [†]	1160 kg (2,557 lb.) [†]
Rated Operating Load, Rough Terrain, 60% Full-Turn Tipping Load (conforms to EN474-3)*	1235 kg (2,723 lb.) [†]	1235 kg (2,723 lb.) [†]	1390 kg (3,064 lb.) [†]
Rated Operating Load, Firm and Level Ground, 80% Full-Turn Tipping Load (conforms to EN474-3)*	1630 kg (3,594 lb.) [†]	1630 kg (3,594 lb.) [†]	1850 kg (4,079 lb.) [†]

*Rated operating capacity based on Deere attachments only. / [†]Payload on forks is limited by tilt cylinder.

184 G-TIER LOADER WITH CAB, QUIK-TATCH COUPLER OR HOOK/EURO QUICK-COUPLER, AND FORK



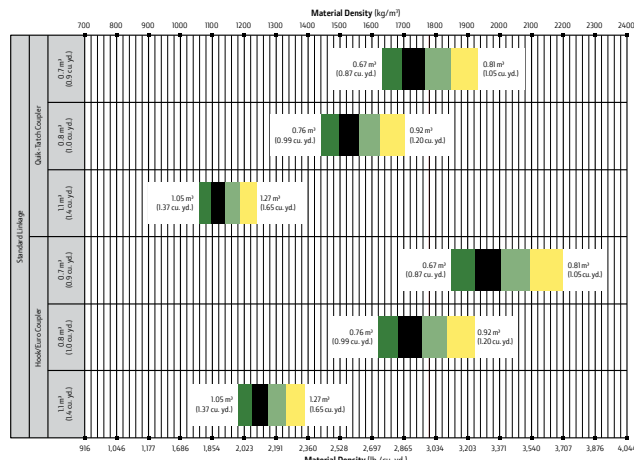
184 G-TIER LOADER WITH CANOPY, QUIK-TATCH COUPLER OR HOOK/EURO QUICK-COUPLER, AND FORK



While general information, pictures, and descriptions are provided, some illustrations and text may include product options and accessories NOT AVAILABLE in all regions, and in some countries products and accessories may require modifications or additions to ensure compliance with the local regulations of those countries.

Bucket Selection Guide*

LOOSE MATERIALS		LOOSE MATERIALS	
kg/m ³	lb./cu. yd.	kg/m ³	lb./cu. yd.
Chips, pulpwood	288	486	1570
Cinders (loam, ashes, clinkers)	673	1,134	1682
Clay and gravel, dry	1602	2,700	1862
Clay, compact, solid	1746	2,943	2083
Clay, dry in lump loose	1009	1,701	1762
Clay, excavated in water	1382	2,360	2083
Coal, anthracite, broken, loose	865	1,458	1314
Coal, bituminous, moderately wet	801	1,350	1362
Earth, common loam, dry	1218	2,082	1955
Earth, mud, packed	1843	3,105	1442
Granite, broken	1538	2,592	1602
Gypsum	2275	3,894	2,700
Limestone, coarse, sized	1570	2,646	1862
Limestone, mixed sizes	1682	2,835	1955
Limestone, pulverized or crushed	1862	3,195	2083
Sand, damp	2083	3,510	1762
Sand, dry	1762	2,970	2083
Sand, voids, full of water	2083	3,510	1314
Sandstone, quarried	1314	2,214	1952
Shale, broken, crushed	1362	2,295	1955
Slag, furnace granulated	1955	3,294	1442
Stone or gravel, 37.5 to 87.5 mm (1.5 to 3.5 in.) size	1602	2,700	1602
Stone or gravel, 18.75 to 37.5 mm (0.75 to 1.5 in.) size	1602	2,700	



Additional equipment

184 G Engine

- Antifreeze, -37 deg. C (-34 deg. F)
- Coolant recovery tank
- Fan safety guard
- Fan, sucker type, direct drive
- Under-hood aftertreatment (including diesel oxidation catalyst and diesel particulate filter)
- Environmentally friendly engine oil drain
- Engine oil cooler
- Quick-release fuel filter and water separator
- Automatic engine glow plugs for cold start
- ▲ Engine coolant heater, 1,000 watts, 110 volts

Electrical

- Starter switch with electric fuel cutoff
- 12-volt system
- Electrical load center: Blade-type fuses
- Standard battery (1), 12 volt with 830 CCA
- Master electrical disconnect switch
- Alternator, 12 volts, 80 amps
- Horn (conforms to SAE J994 / J1446)
- Lights (conform to SAE 99): Driving / Turn signals / Flashers / Stop / Taillights
- Worklights, front (2)
- Worklights, rear (2)
- Reverse warning alarm (conforms to SAE J994 / J1446)
- Multifunction monitor with audible and visual warnings: Engine coolant temperature and hydraulic oil temperature / Gauge: Fuel / Visual indicators: Air-filter restriction, low voltage, coolant temperature, engine oil pressure, engine preheat, engine rpm, hydraulic bucket return-to-dig control, hydraulic oil temperature, lights high beam, park brake, turn signals, fuel-level gauge, and hour meter

184 G Electrical (continued)

- Indicator lights: Engine air filter / Battery voltage / Parking brake actuated / Forward/reverse travel / 1st- or 2nd-speed range / Turn signal and hazard lights / High-beam driving lights
- Radio-ready cab, fused 12-volt radio electrical lead and speakers, power port
- Pre-wired for roof beacon

Powertrain/Brakes

- Hydrostatic (HST) transmission: Electric shift control / Single-lever joystick F-N-R / Hydrostatic oil cooler / Inching pedal / 2 speeds forward and reverse / Infinitely variable speed control
- Parking brake, spring applied, hydraulically released, switch operated
- 45% limited-slip front and rear differentials

Hydraulic System

- Hydraulic system oil cooler
- Float detent
- Reservoir sight gauge
- Fine-micron hydraulic filters, vertical mounting
- Hydraulic function lockout
- 3-function hydraulic valve with electro-hydraulic push-button 3rd-function control
- Quick-coupler diagnostic ports: Priority pressure / Hydraulic pump pressure / Control valve pressure / HST pressure

Operator's Station

- ▲ Cab (conforms to SAE J1040, SAE J231, ISO 3471, and ISO 3449): Air conditioner/heater/defroster / Tilt steering / Inside mirror
- Canopy
- Storage compartment for operator's manual and other items
- Rubber floor mat

Key: ● Standard ▲ Optional or special

See your John Deere dealer for further information.

184 G Operator's Station (continued)

- Rearview mirrors, outside (2)
- Handholds and steps, ergonomically located and slip resistant (conform to SAE J185)

Loader Linkage

- Z-bar loader linkage provides high bucket breakout
- Loader boom service locking bar (conforms to SAE J38)

Buckets and Attachments

- ▲ Full line of buckets with selection of bolt-on cutting edges
- ▲ Electrically actuated quick-coupler with flags
- ▲ Full line of construction utility forks, pallet forks, and other attachments*
- ▲ ISO parallel-pin hydraulically actuated coupler

Tires

- 365/70R18 Mitas EM-01
- ▲ 405/70R18 Firestone Duraforce

Other

- Fenders, front and rear
- Articulation locking bar (conforms to SAE J276)
- Vandal protection, includes lockable engine enclosure
- Counterweight, saddle-type, built-in
- Rear bottom guard, built-in
- Drawbar, with locking pin
- Lift eyes
- Tie-downs
- ▲ Fire extinguisher
- ▲ Material-weighting system†
- ▲ Ride control
- ▲ JDLink™ wireless communication system (available in specific countries; see your dealer for details)

*See your John Deere dealer for further information.

†Contact LOAD-RITE™.

While general information, pictures, and descriptions are provided, some illustrations and text may include product options and accessories NOT AVAILABLE in all regions, and in some countries products and accessories may require modifications or additions to ensure compliance with the local regulations of those countries.

Net engine power is with standard equipment including air cleaner, exhaust system, alternator, and cooling fan, at test conditions specified per ISO 9249. No derating is required up to 3000-m (10,000 ft.) altitude. Specifications and design subject to change without notice. Wherever applicable, specifications are in accordance with SAE standards. Except where otherwise noted, these specifications are based on units with all standard equipment, ROPS cab, standard rear counterweight, 365/70R18 tires, full fuel tank, and 79-kg (175 lb.) operator.



JOHN DEERE