



JOHN DEERE

2956G SWING MACHINE



A black logging machine's grapple is shown holding two large, freshly cut logs. The logs are stacked on a pile of other cut timber. The background is a dense forest of tall evergreen trees under a cloudy sky. The machine's arm extends from the right side of the frame.

2956G SWING MACHINE

MADE TO TAME YOUR TOUGHEST TIMBER.

When you work in the woods, you know that tackling timber is hardly routine. You have to be at the top of your game all day, every day. And that includes your equipment. So we asked for ideas on how to make our purpose-built swing machines even better from loggers just like you. After thousands of hours devoted to redesigning components, testing structures, and implementing updates to base weight, engine power, and hydraulic flow, our brand-new 2956G Swing Machine is more than ready to help you face whatever comes your way in the forest.

Heads-up to productivity

Compared to our 2656G Swing Machine, engine horsepower is 15-percent greater and hydraulic flow is five-percent more. These improvements optimize multi-functioning for efficient wood processing in roadside applications using a Waratah HTH624C processor head and swift loading of logging trucks.

It's all about the operator

Spacious side-entry cab is isolation mounted to reduce noise and vibration, cushion the ride in rough terrain, and minimize fatigue. Rear-entry cab features windows in the floor and injection-molded polycarbonate windows, boosting visibility to the tracks and work area. Ergonomically correct short-throw pilot levers provide smooth fingertip control with less motion or effort.

Deflect and protect

Durable log deflector with reinforced mounting enhances visibility and reduces the risk of machine damage. Sloped hood profile and alignment with the counterweight cleanly sheds debris. Rearview camera and light are protected within the counterweight.



MACHINE WEIGHT UNDER 90K LB./40 MT* **EASES TRANSPORT & PERMIT REQUIREMENTS**

**WITHOUT ATTACHMENT.*

Withstand wear and tear

The 2956G shares its dependable electrical architecture including simplified wiring harnesses and the number of connectors, fuses, and relays with our other swing-machine models. Purpose-built undercarriage X-frame and upper-frame structure deliver long life in the forest. Large, high-capacity coolers with optimized airflow help reduce hydraulic operating temperatures, maximizing component durability.

Make your move

Operating weight without attachment of under 90,000 pounds speeds machine movement between woodlots and eases transport including less restrictive permit requirements. Overall shipping width can be below 11½ feet depending on undercarriage configuration.

Service assistance

Hinged doors that open wide for convenient access to filters, routine service points, and the cooling system help ease daily checks and preventive maintenance.

2956G SWING MACHINE

PUT TECHNOLOGY TO WORK IN THE WOODS AND AT THE OFFICE.

Coordinate your operation and your team's productivity from wherever your work takes you with John Deere Precision Forestry and our core technology solutions.

FEATURES

Core intelligence

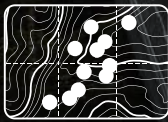
Your John Deere Forestry machine arrives from the factory equipped with a powerful set of technologies and capabilities already built in. Each plays an important role in managing the health and performance of your overall equipment fleet:

- **JDLink™ connectivity and the John Deere Operations Center™** let you track your equipment, see which machines are working, and know if they're being utilized properly and at maximum productivity and efficiency.
- **John Deere Connected Support™** leverages a suite of dealer and factory tools designed to deliver increased uptime and productivity, and lower daily operating costs.
- **Remote Diagnostics and Programming Capability** within John Deere Connected Support helps your dealer warn you of any issue with your machine — often before you know of the problem yourself — and initiate solutions without charging you for a technician's visit to your jobsite.
- Our advanced dual approach to **Machine Health** combines the expertise of the technology specialists at our dealerships with the data specialists at our central Machine Health Monitoring Center (MHMC). As part of John Deere Connected Support, information from thousands of connected machines flows through the MHMC, enabling our specialists to identify trends and develop new and improved preventative-maintenance and repair protocols.

Precision Forestry

Take the guesswork out of planning, implementing, and monitoring your logging operation. The tools of our production-planning and -tracking system expand on the core technology features that come standard in every John Deere Forestry machine to unleash a powerful new array of possibilities:

- **TimberMatic™ Maps** is an innovative onboard software solution that helps you reimagine your jobsites. Real-time production views, optimized routes, and shared wireless connections between machines make it easier than ever before to take your forestry operation to the next level.
- **TimberManager™** is a web-based solution for PCs, tablets, and mobile phones that allows you to follow jobsite progress. Combined with TimberMatic Maps, this software provides complete visibility of your operation — from land harvested to specific machines — so you can streamline communication, analyze tasks, and increase productivity:
 - **Remote Monitoring** keeps tabs on the health and performance of your fleet from wherever you are.
 - **Precise Progress Tracking** lets you set goals for your team to meet throughout the day.
 - **Live Production View** displays progress including tree count, area harvested, and estimated tonnage.
 - **Simplified Mapping** of machine data and GPS-based location tracking shows precise stem and log counts.
 - **Real-Time Updates** let you adjust course or eliminate tasks if needed to maintain steady workflow.
 - **Fleet Optimization** goes beyond machine management to help improve the efficiency of your business.



JOHN DEERE PRECISION FORESTRY

TOOLS ENABLE PRODUCTION
PLANNING & TRACKING

2956G SWING MACHINE SPECIFICATIONS

Engine	2956G Processor / Valve-in-Head (VIH) Log Loader / Live-Heel Log Loader		
Manufacturer and Model	John Deere PowerTech™ PSS 6.8 L		
Non-Road Emission Standards	EPA Final Tier 4 (FT4)/EU Stage IV		
Net Rated Power (ISO 9249)	166 kW (223 hp) at 1,900 rpm		
Cylinders	6		
Engine Displacement	6.8 L (415 cu. in.)		
Off-Level Capacity	70% (35 deg.)		
Aspiration	Turbocharged, air-to-air charge-air cooler		
Oil Filter, Remote Mounted	Full-flow spin-on filter		
Cooling			
Fan Drive	Cool-on-demand hydraulic-driven, suction-type fan with remote-mounted drive with standard reversing fan		
Powertrain			
2-speed propel with automatic shift			
Maximum Travel Speed			
Low	2.5 km/h (1.6 mph)		
High	3.9 km/h (2.4 mph)		
Drawbar Pull	30 350 kgf (66,910 lbf)		
Hydraulics			
Open center, pilot operated			
Main Pumps	2 variable-displacement pumps		
Maximum Rated Flow x 2	248 L/m (65.5 gpm)		
System Operating Pressure			
Implement Circuits	34 300 kPa (4,975 psi)		
Power Boost	38 000 kPa (5,511 psi)		
Controls	Pilot levers; short-stroke, low-effort hydraulic pilot with shutoff lever		
Electrical			
System Voltage	24 volt		
Alternator Rating	150 amp		
Lights (standard)			
Work	14 LEDs		
Service			
With Side-Entry Cab	5 LEDs (compartments)		
With Rear-Entry Cab	6 LEDs (compartments and riser)		
Access	1 LED (right rear cab)		
Undercarriage			
Rollers (per side)			
Carrier	2		
Track	9		
Shoes, Double Grousers (per side)	48		
Undercarriage Pitch	216 mm (8.5 in.)		
Ground Pressure	2956G Processor	2956G VIH Log Loader	2956G Live-Heel Log Loader
Undercarriage	2.69 m (8 ft. 10 in.)	2.92 m (9 ft. 7 in.)	2.92 m (9 ft. 7 in.)
700-mm (28 in.) Double-Grouser Shoes	67.2 kPa (9.75 psi)	68.4 kPa (9.92 psi)	67.1 kPa (9.73 psi)
			68.5 kPa (9.93 psi)
Swing Mechanism	2956G Processor / VIH Log Loader / Live-Heel Log Loader		
Swing Speed	8.7 rpm		
Swing Torque	120 000 Nm (88,507 lb.-ft.)		

While general information, pictures, and descriptions are provided, some illustrations and text may include product options and accessories NOT AVAILABLE in all regions, and in some countries products and accessories may require modifications or additions to ensure compliance with the local regulations of those countries.

Operator's Station 2956G Processor / Valve-in-Head (VIH) Log Loader / Live-Heel Log Loader

Operator Height From Ground (eye level)	
Side-Entry Forestry Cab	3095 mm (10 ft. 2 in.)
Rear-Entry Log Loader Cab	4441 mm (14 ft. 7 in.)
Standard rearview camera	

Serviceability

Refill Capacities	
Fuel Tank	800.0 L (211.0 gal.)
Cooling System	36.0 L (9.5 gal.)
Diesel Exhaust Fluid (DEF) Tank	42.4 L (11.2 gal.)
Engine Crankcase (including filter)	20.5 L (5.4 gal.)
Hydraulic Tank Oil	195.0 L (52.0 gal.)

Operating Weights 2956 Processor 2956G VIH Log Loader 2956G Live-Heel Log Loader

With full fuel tank, 79-kg (175 lb.) operator, 60-in. riser, rear-entry forestry cab, 5917-kg (13,045 lb.) counterweight, 700-mm (28 in.) double-grouser shoes, and 2.69-m (8 ft. 10 in.) undercarriage; no attachment included

SAE Operating Weight	38 961 kg (85,894 lb.)	38 184 kg (84,181 lb.)	39 004 kg (85,989 lb.)
----------------------	------------------------	------------------------	------------------------

Optional Components (add weight)

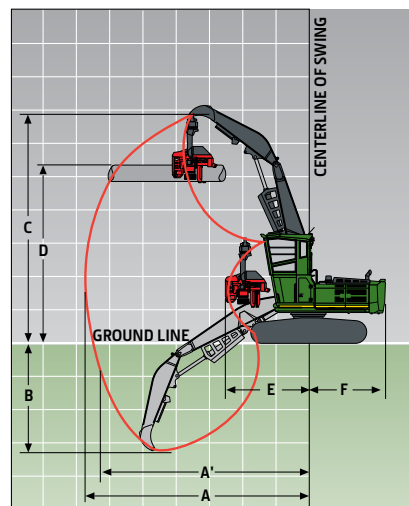
Side-Entry Cab	-671 kg (-1,480 lb.)	-671 kg (-1,480 lb.)	-671 kg (-1,480 lb.)
Rear-Entry Cab — Cab Forward	68 kg (150 lb.)	68 kg (150 lb.)	68 kg (150 lb.)
2.92 m (9 ft. 7 in.) Undercarriage	678 kg (1,778 lb.)	678 kg (1,778 lb.)	678 kg (1,778 lb.)

Operating Dimensions

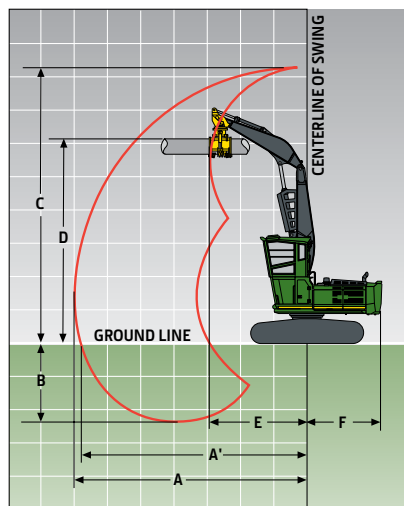
With standard equipment, 700-mm (28 in.) shoes, 5917-kg (13,045 lb.) counterweight, full fuel tank, and 79-kg (175 lb.) operator

	4.56-m (14 ft. 11 in.)	4.39-m (14 ft. 5 in.)	4.10-m (13 ft. 5 in.)
	<i>Processor Arm</i>	<i>VIH Log Loader Arm</i>	<i>Live-Heel Log Loader Arm</i>
A Maximum Reach	11.05 m (36 ft. 3 in.)	10.90 m (35 ft. 9 in.)	11.91 m (39 ft. 1 in.)
A' Maximum Reach at Ground Level	10.72 m (35 ft. 2 in.)	10.50 m (34 ft. 5 in.)	11.67 m (38 ft. 3 in.)
B Maximum Working Depth	2.80 m (9 ft. 2 in.)	2.60 m (8 ft. 6 in.)	3.73 m (12 ft. 3 in.)
C Maximum Working Height	13.22 m (43 ft. 4 in.)	13.07 m (42 ft. 11 in.)	13.95 m (45 ft. 9 in.)
D Maximum Log-Level Height	10.00 m (32 ft. 10 in.)	8.88 m (29 ft. 2 in.)	9.08 m (29 ft. 9 in.)
E Minimum Swing Radius	3.68 m (12 ft. 1 in.)	3.84 m (12 ft. 7 in.)	4.58 m (15 ft. 0 in.)
F Tail Swing Radius	3.45 m (11 ft. 4 in.)	3.45 m (11 ft. 4 in.)	3.45 m (11 ft. 4 in.)

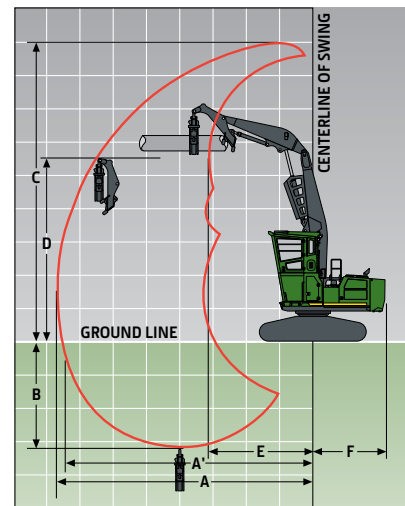
2956G Processor



2956G VIH



2956G Live Heel

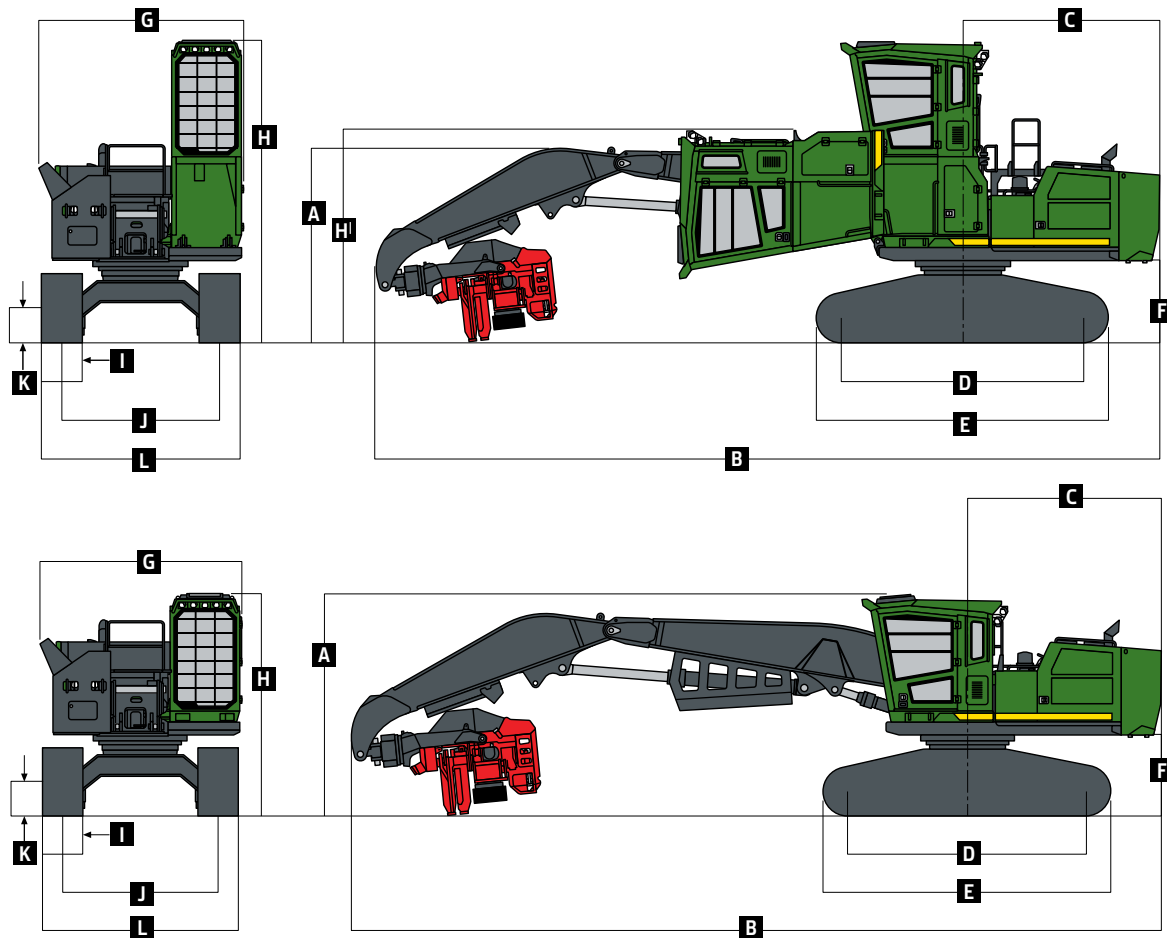


While general information, pictures, and descriptions are provided, some illustrations and text may include product options and accessories NOT AVAILABLE in all regions, and in some countries products and accessories may require modifications or additions to ensure compliance with the local regulations of those countries.

2956G SWING MACHINE SPECIFICATIONS (continued)

Machine Dimensions	2956G Processor		2956G VIH Log Loader		2956G Live-Heel Log Loader	
Undercarriage	2.69 m (8 ft. 10 in.)	2.92 m (9 ft. 7 in.)	2.69 m (8 ft. 10 in.)	2.92 m (9 ft. 7 in.)	2.69 m (8 ft. 10 in.)	2.92 m (9 ft. 7 in.)
A Machine Transport Height						
Side-Entry Cab	3.83 m (12 ft. 7 in.)	3.86 m (12 ft. 8 in.)	3.83 m (12 ft. 7 in.)	3.86 m (12 ft. 8 in.)	3.83 m (12 ft. 7 in.)	3.86 m (12 ft. 8 in.)
Rear-Entry Cab	3.66 m (12 ft. 0 in.)	3.69 m (12 ft. 1 in.)	3.66 m (12 ft. 0 in.)	3.69 m (12 ft. 1 in.)	3.66 m (12 ft. 0 in.)	3.69 m (12 ft. 1 in.)
B Overall Length	14.52 m (47 ft. 7 in.)	14.52 m (47 ft. 7 in.)	14.95 m (49 ft. 0 in.)	14.95 m (49 ft. 0 in.)	14.98 m (49 ft. 2 in.)	14.98 m (49 ft. 2 in.)
C Rear-End Length / Swing Radius	3.37 m (11 ft. 1 in.)	3.37 m (11 ft. 1 in.)	3.37 m (11 ft. 1 in.)	3.37 m (11 ft. 1 in.)	3.37 m (11 ft. 1 in.)	3.37 m (11 ft. 1 in.)
D Distance Between Idler / Sprocket Centerline	4.06 m (13 ft. 4 in.)	4.06 m (13 ft. 4 in.)	4.06 m (13 ft. 4 in.)	4.06 m (13 ft. 4 in.)	4.06 m (13 ft. 4 in.)	4.06 m (13 ft. 4 in.)
E Undercarriage Length	5.00 m (16 ft. 5 in.)	5.00 m (16 ft. 5 in.)	5.00 m (16 ft. 5 in.)	5.00 m (16 ft. 5 in.)	5.00 m (16 ft. 5 in.)	5.00 m (16 ft. 5 in.)
F Counterweight Clearance	1.47 m (4 ft. 10 in.)	1.50 m (4 ft. 11 in.)	1.47 m (4 ft. 10 in.)	1.50 m (4 ft. 11 in.)	1.47 m (4 ft. 10 in.)	1.50 m (4 ft. 11 in.)
G Upperstructure Width	3.46 m (11 ft. 4 in.)	3.46 m (11 ft. 4 in.)	3.46 m (11 ft. 4 in.)	3.46 m (11 ft. 4 in.)	3.46 m (11 ft. 4 in.)	3.46 m (11 ft. 4 in.)
H Cab Operating Height						
Side-Entry Cab	3.83 m (12 ft. 7 in.)	3.86 m (12 ft. 8 in.)	3.83 m (12 ft. 7 in.)	3.86 m (12 ft. 8 in.)	3.83 m (12 ft. 7 in.)	3.86 m (12 ft. 8 in.)
Rear-Entry Cab	5.19 m (17 ft. 0 in.)	5.22 m (17 ft. 1 in.)	5.19 m (17 ft. 0 in.)	5.22 m (17 ft. 1 in.)	5.19 m (17 ft. 0 in.)	5.22 m (17 ft. 1 in.)
H^I Tilted Cab Height (rear-entry cab)	3.66 m (12 ft. 0 in.)	3.69 m (12 ft. 1 in.)	3.66 m (12 ft. 0 in.)	3.69 m (12 ft. 1 in.)	3.66 m (12 ft. 0 in.)	3.69 m (12 ft. 1 in.)
I Track Width With 700-mm (28 in.) Double-Grouser Shoes	0.70 m (28 in.)	0.70 m (28 in.)	0.70 m (28 in.)	0.70 m (28 in.)	0.70 m (28 in.)	0.70 m (28 in.)
J Center of Sprocket to Center of Sprocket	2.69 m (8 ft. 10 in.)	2.92 m (9 ft. 7 in.)	2.69 m (8 ft. 10 in.)	2.92 m (9 ft. 7 in.)	2.69 m (8 ft. 10 in.)	2.92 m (9 ft. 7 in.)
K Ground Clearance	0.76 m (30 in.)	0.79 m (31 in.)	0.76 m (30 in.)	0.79 m (31 in.)	0.76 m (30 in.)	0.79 m (31 in.)
L Undercarriage Width With 700-mm (28 in.) Double-Grouser Shoes	3.40 m (11 ft. 2 in.)	3.63 m (11 ft. 11 in.)	3.40 m (11 ft. 2 in.)	3.63 m (11 ft. 11 in.)	3.40 m (11 ft. 2 in.)	3.63 m (11 ft. 11 in.)

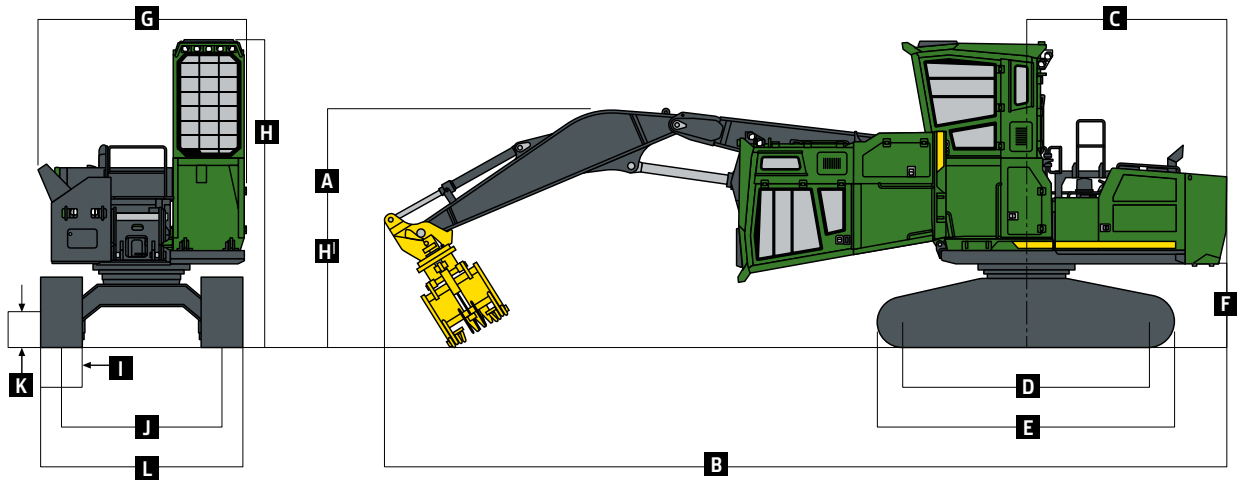
2956G Processor



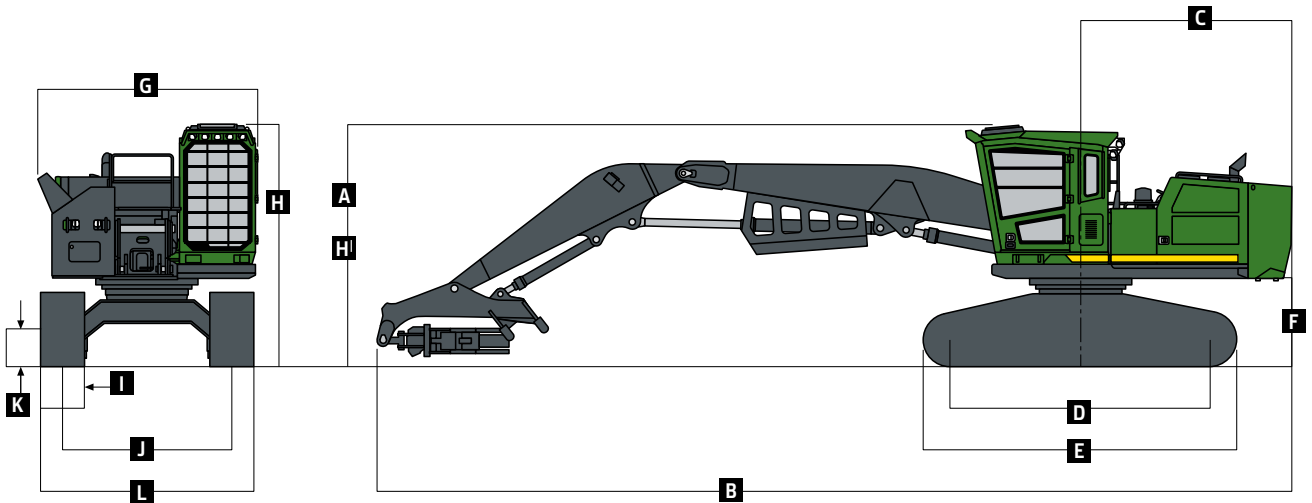
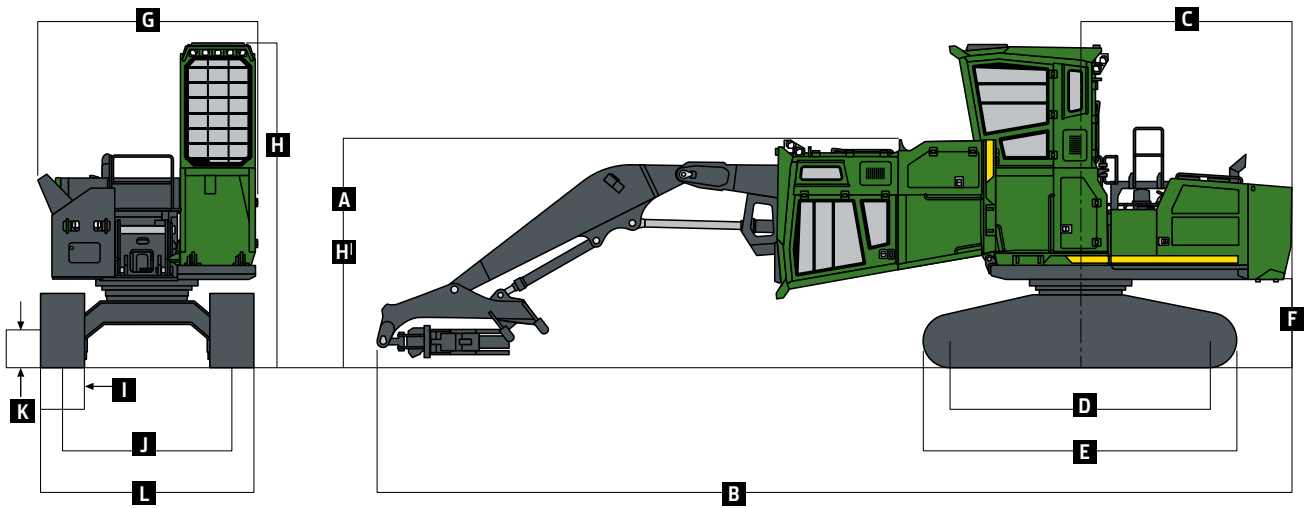
While general information, pictures, and descriptions are provided, some illustrations and text may include product options and accessories NOT AVAILABLE in all regions, and in some countries products and accessories may require modifications or additions to ensure compliance with the local regulations of those countries.

Machine Dimensions (continued)

2956G VIH



2956G Live Heel



While general information, pictures, and descriptions are provided, some illustrations and text may include product options and accessories NOT AVAILABLE in all regions, and in some countries products and accessories may require modifications or additions to ensure compliance with the local regulations of those countries.

2956G SWING MACHINE SPECIFICATIONS (continued)

Attachment weight is not included when calculating the lift capacities. Boldface type indicates hydraulic-limited capacities with power boost; lightface type indicates stability-limited capacities, in kg (lb.). Figures do not exceed 87 percent of hydraulic capacities or 75 percent of weight needed to tip machine.

Lift Capacity — 2956G Processor with 2.69-m (8 ft. 10 in.) undercarriage, 700-mm (28 in.) shoes, and standard counterweight; bare pin										
Load Point Height	4.6 m (15 ft.)		6.1 m (20 ft.)		7.6 m (25 ft.)		9.1 m (30 ft.)		10.7 m (35 ft.)	
	Over Front	Over Side	Over Front	Over Side	Over Front	Over Side	Over Front	Over Side	Over Front	Over Side
12.2 m (40 ft.)	12 910 (28,460)	12 910 (28,460)								
10.7 m (35 ft.)			9950 (21,930)	9950 (21,930)						
9.1 m (30 ft.)			9420 (20,750)	9420 (20,750)	8430 (18,590)	7700 (16,970)				
7.6 m (25 ft.)			9440 (20,810)	9440 (20,810)	8320 (18,350)	7740 (17,050)	7460 (16,450)	5590 (12,320)		
6.1 m (20 ft.)	11 900 (26,220)	11 900 (26,220)	9880 (21,790)	9880 (21,790)	8500 (18,740)	7590 (16,730)	7450 (16,420)	5570 (12,270)		
4.6 m (15 ft.)	13 490 (29,730)	13 490 (29,730)	10 630 (23,430)	10 430 (23,000)	8840 (19,470)	7320 (16,140)	7540 (16,610)	5440 (11,990)	6290 (13,870)	4160 (9,160)
3.1 m (10 ft.)			11 430 (25,190)	9810 (21,610)	9170 (20,210)	6990 (15,410)	7610 (16,760)	5270 (11,620)	6170 (13,590)	4110 (9,050)
1.5 m (5 ft.)			11 890 (26,200)	9220 (20,320)	9310 (20,520)	6680 (14,720)	7510 (16,550)	5100 (11,250)	5770 (12,720)	4040 (8,910)
Ground Line	15 790 (34,810)	13 370 (29,460)	11 660 (25,700)	8810 (19,410)	9030 (19,890)	6440 (14,190)	7060 (15,570)	4980 (10,970)	4750 (10,470)	4020 (8,870)
-1.5 m (-5 ft.)	13 790 (30,400)	13 140 (28,950)	10 520 (23,180)	8610 (18,990)	8090 (17,840)	6320 (13,920)	6000 (13,220)	4930 (10,870)		
Lift Capacity — 2956G Processor with 2.92-m (9 ft. 7 in.) undercarriage, 700-mm (28 in.) shoes, and standard counterweight; bare pin										
12.2 m (40 ft.)	12 910 (28,460)	12 910 (28,460)								
10.7 m (35 ft.)			9950 (21,930)	9950 (21,930)						
9.1 m (30 ft.)			9420 (20,750)	9420 (20,750)	8430 (18,590)	8430 (18,590)				
7.6 m (25 ft.)			9440 (20,810)	9440 (20,810)	8320 (18,350)	8320 (18,350)	7460 (16,450)	6240 (13,760)		
6.1 m (20 ft.)	11 900 (26,220)	11 900 (26,220)	9880 (21,790)	9880 (21,790)	8500 (18,740)	8450 (18,620)	7450 (16,420)	6220 (13,720)		
4.6 m (15 ft.)	13 490 (29,730)	13 490 (29,730)	10 630 (23,430)	10 630 (23,430)	8840 (19,470)	8180 (18,020)	7540 (16,610)	6100 (13,430)	6290 (13,870)	4680 (10,320)
3.1 m (10 ft.)			11 430 (25,190)	11 010 (24,270)	9170 (20,210)	7840 (17,280)	7610 (16,760)	5920 (13,050)	6170 (13,590)	4630 (10,210)
1.5 m (5 ft.)			11 890 (26,200)	10 410 (22,940)	9310 (20,520)	7520 (16,570)	7510 (16,550)	5750 (12,670)	5770 (12,720)	4570 (10,070)
Ground Line	15 790 (34,810)	15 320 (33,770)	11 660 (25,700)	9990 (22,010)	9030 (19,890)	7270 (16,030)	7060 (15,570)	5620 (12,390)	4750 (10,470)	4550 (10,030)
-1.5 m (-5 ft.)	13 790 (30,400)	13 790 (30,400)	10 520 (23,180)	9790 (21,570)	8090 (17,840)	7150 (15,760)	6000 (13,220)	5580 (12,290)		

While general information, pictures, and descriptions are provided, some illustrations and text may include product options and accessories NOT AVAILABLE in all regions, and in some countries products and accessories may require modifications or additions to ensure compliance with the local regulations of those countries.

Attachment weight is not included when calculating the lift capacities. Boldface type indicates hydraulic-limited capacities with power boost; lightface type indicates stability-limited capacities, in kg (lb.). Figures do not exceed 87 percent of hydraulic capacities or 75 percent of weight needed to tip machine.

Lift Capacity — 2956G VIH Log Loader with 2.92-m (9 ft. 7 in.) undercarriage, 700-mm (28 in.) shoes, and standard counterweight; bare pin										
Load Point Height	4.6 m (15 ft.)		6.1 m (20 ft.)		7.6 m (25 ft.)		9.1 m (30 ft.)		10.7 m (35 ft.)	
	Over Front	Over Side	Over Front	Over Side	Over Front	Over Side	Over Front	Over Side	Over Front	Over Side
10.7 m (35 ft.)	11 980	11 980	10 370	10 370						
	(26,400)	(26,400)	(22,850)	(22,850)						
9.1 m (30 ft.)			9780	9780	8770	8570				
			(21,560)	(21,560)	(19,330)	(18,880)				
7.6 m (25 ft.)			9810	9810	8640	8640	7740	6300		
			(21,620)	(21,620)	(19,050)	(19,040)	(17,070)	(13,870)		
6.1 m (20 ft.)	12 410	12 410	10 270	10 270	8820	8520	7720	6310		
	(27,360)	(27,360)	(22,640)	(22,640)	(19,440)	(18,770)	(17,010)	(13,910)		
4.6 m (15 ft.)			11 030	11 030	9150	8270	7800	6210	5970	4770
			(24,310)	(24,310)	(20,180)	(18,230)	(17,190)	(13,690)	(13,170)	(10,520)
3.1 m (10 ft.)			11 810	11 120	9480	7970	7850	6060	6240	4760
			(26,030)	(24,500)	(20,880)	(17,560)	(17,300)	(13,350)	(13,760)	(10,500)
1.5 m (5 ft.)			12 210	10 560	9580	7680	7720	5910	5750	4720
			(26,920)	(23,280)	(21,110)	(16,920)	(17,010)	(13,020)	(12,680)	(10,410)
Ground Line			11 890	10 190	9230	7460	7200	5800		
			(26,210)	(22,450)	(20,340)	(16,440)	(15,880)	(12,780)		
-1.5 m (-5 ft.)	13 770	13 770	10 620	10 020	8200	7360	6000	5770		
	(30,360)	(30,360)	(23,410)	(22,090)	(18,060)	(16,220)	(13,220)	(12,720)		
Lift Capacity — 2956G Live-Heel Log Loader with 2.92-m (9 ft. 7 in.) undercarriage, 700-mm (28 in.) shoes, and standard counterweight; bare pin										
12.2 m (40 ft.)	12 030	12 030	9850	9850						
	(26,520)	(26,520)	(21,710)	(21,710)						
10.7 m (35 ft.)			9040	9040	8190	7470				
			(19,920)	(19,920)	(18,060)	(16,460)				
9.1 m (30 ft.)			8750	8750	7730	7730	6930	6120		
			(19,280)	(19,280)	(17,030)	(17,030)	(15,280)	(13,490)		
7.6 m (25 ft.)			8900	8900	7760	7760	6860	5810		
			(19,620)	(19,620)	(17,110)	(17,110)	(15,130)	(12,800)		
6.1 m (20 ft.)			9440	9440	8070	8070	6960	5880	6040	4570
			(20,800)	(20,800)	(17,790)	(17,790)	(15,340)	(12,950)	(13,320)	(10,080)
4.6 m (15 ft.)			9750	9750	8500	7960	7140	5810	6040	4540
			(21,500)	(21,500)	(18,740)	(17,540)	(15,730)	(12,800)	(13,320)	(10,000)
3.1 m (10 ft.)			10 620	10 620	8910	7690	7280	5690	6040	4450
			(23,400)	(23,400)	(19,640)	(16,940)	(16,050)	(12,540)	(13,310)	(9,800)
1.5 m (5 ft.)			11 420	10 540	9120	7410	7310	5600	5900	4340
			(25,160)	(23,240)	(20,090)	(16,330)	(16,120)	(12,350)	(13,010)	(9,570)
Ground Line			11 680	10 010	9000	7190	7180	5440	5490	4260
			(25,750)	(22,070)	(19,840)	(15,840)	(15,820)	(11,990)	(12,090)	(9,390)
-1.5 m (-5 ft.)	13 150	13 150	11 020	9650	8550	7010	6860	5340	4510	4220
	(28,980)	(28,980)	(24,280)	(21,270)	(18,840)	(15,460)	(15,110)	(11,770)	(9930)	(9,310)
-3.1 m (-10 ft.)	12 380	12 380	9400	9400	7450	6980	5110	5110		
	(27,280)	(27,280)	(20,720)	(20,720)	(16,420)	(15,390)	(11,260)	(11,260)		

While general information, pictures, and descriptions are provided, some illustrations and text may include product options and accessories NOT AVAILABLE in all regions, and in some countries products and accessories may require modifications or additions to ensure compliance with the local regulations of those countries.



MSW2956GC (23-06)

Contact us to learn more.

JohnDeere.com/SwingMachines
JohnDeere.ca/SwingMachines



JOHN DEERE