

ENGINE	330LC	370
Type	John Deere 6081H with turbocharger and charged air cooling	John Deere 6081H with turbocharger and charged air cooling
Rated power	235 SAE net hp (175 kW) @ 2,000 rpm	235 SAE net hp (175 kW) @ 2,000 rpm
Cylinders	6	6
Displacement	494 cu. in. (8.1 L)	494 cu. in. (8.1 L)
Maximum net torque	940 lb.-ft. (1275 Nm) @ 1,100 rpm	940 lb.-ft. (1275 Nm) @ 1,100 rpm
Fuel consumption, typical	6 to 10 gal./hr. (23 to 38 L/h)	6 to 10 gal./hr. (23 to 38 L/h)
Cooling fan	suction-type drive	suction-type drive
Electrical system	24 volt with 45-amp alternator	24 volt with 45-amp alternator
Batteries (two 12 volt)	reserve capacity: 180 min.	reserve capacity: 180 min.

HYDRAULIC SYSTEM		
Main pumps	2 variable-displacement axial-piston open center	2 variable-displacement axial-piston open center
Maximum flow	2 x 77 gpm (2 x 292 L/min.)	2 x 77 gpm (2 x 292 L/min.)
Minimum flow	2 x 21 gpm (2 x 79 L/min.)	2 x 21 gpm (2 x 79 L/min.)
Pilot pump	one gear	one gear
Maximum rated flow	4.4 gpm (16.8 L/min.)	4.4 gpm (16.8 L/min.)
Pressure setting	570 psi (3923 kPa)	570 psi (3923 kPa)
System operating pressure		
Implement circuits	4,624 psi (31 880 kPa)	4,624 psi (31 880 kPa)
Travel circuits	5,050 psi (34 820 kPa)	5,050 psi (34 820 kPa)
Swing circuits	4,340 psi (29 920 kPa)	4,340 psi (29 920 kPa)
Oil filtration	one 10-micron full-flow return filter with by-pass / one pilot oil filter / one suction filter	one 10-micron full-flow return filter with by-pass / one pilot oil filter / one suction filter

CYLINDERS		
Boom (2)		
Bore	5.9 in. (150 mm)	5.9 in. (150 mm)
Rod diameter	4.1 in. (105 mm)	4.1 in. (105 mm)
Stroke	59.3 in. (1507 mm)	59.3 in. (1507 mm)
Arm (1)		
Bore	6.7 in. (170 mm)	6.7 in. (170 mm)
Rod diameter	4.5 in. (115 mm)	4.5 in. (115 mm)
Stroke	70.7 in. (1795 mm)	70.7 in. (1795 mm)
Bucket (1)		
Bore	5.7 in. (145 mm)	5.7 in. (145 mm)
Rod diameter	3.7 in. (95 mm)	3.7 in. (95 mm)
Stroke	49.2 in. (1250 mm)	49.2 in. (1250 mm)

SWING MECHANISM		
Swing speed	0–10.9 rpm	0–10.9 rpm
Swing torque	67,700 lb.-ft. (9363 kg/m)	67,700 lb.-ft. (9363 kg/m)

UNDERCARRIAGE		
Carrier rollers (per side)	2	2
Track rollers (per side)	9	8
Idlers (per side)	1	1
Shoes, triple semigrouser (per side)	48	49
Track guides	front and center	front and center
Track adjustment	hydraulic	hydraulic
Travel speed		
Low	0–2.2 mph (0–3.6 km/h)	0–1.9 mph (0–3.0 km/h)
High	0–3.4 mph (0–5.5 km/h)	0–3.0 mph (0–4.9 km/h)
Drawbar pull	56,086 lb. (249.5 kN)	65,098 lb. (289.6 kN)

GROUND PRESSURE DATA		
Average ground pressure		
24-in. (600 mm) triple semigrouser shoes	8.86 psi (61.0 kPa); for rocky terrain and stumps	
32-in. (800 mm) triple semigrouser shoes	6.74 psi (46.5 kPa); for general/soft terrain	
30-in. (750 mm) triple semigrouser shoes	7.93 psi (54.7 kPa)	

CAPACITIES		
Fuel tank	148 gal. (560 L)	148 gal. (560 L)
Cooling system	58 qt. (55 L)	58 qt. (55 L)
Engine lubrication, including filter	7.4 gal. (28 L)	7.4 gal. (28 L)
Hydraulic system	85 gal. (320 L)	85 gal. (320 L)
Planetary propel drive (each)	9.7 qt. (9.2 L)	12 qt. (11.5 L)
Swing drive	18 qt. (17 L)	18 qt. (17 L)
Hydraulic tank	41 gal. (154 L)	41 gal. (154 L)

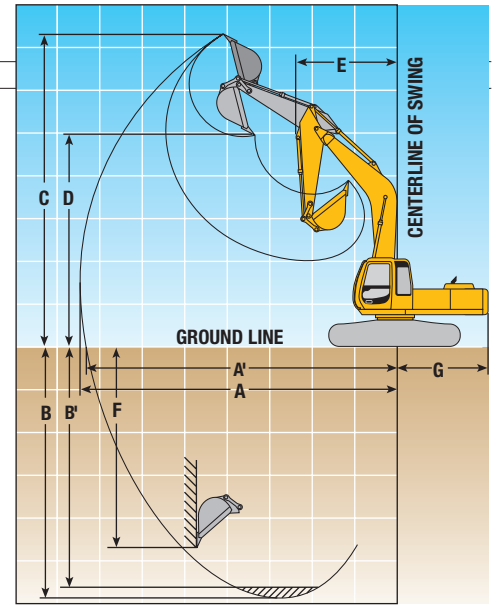
OPERATING WEIGHTS		
With full fuel tank, 175-lb. (79 kg) operator, 54-in. (1370 mm) 2.3-cu. yd. (1.76 m ³) bucket, and 13-ft. 1-in. (4.0 m) arm		
With 32-in. (800 mm) triple grouser shoes and 15,018-lb. (6812 kg) counterweight	72,800 lb. (33 058 kg)	
With 30-in. (750 mm) triple grouser shoes and 16,645-lb. (7550 kg) counterweight	81,200 lb. (36 832 kg)	

COMPONENT WEIGHTS

330LC

370

Upperstructure with full fuel tank (less front attachments)		
Less boom lift cylinders (2) and 15,018-lb. (6812 kg) counterweight.....	15,917 lb. (7220 kg)	
Less boom lift cylinders (2) and 16,645-lb. (7550 kg) counterweight.....	15,917 lb. (7220 kg)	
Undercarriage equipped with		
24-in. (600 mm) triple grouser shoes.....	24,857 lb. (11 275 kg)	
32-in. (800 mm) triple grouser shoes.....	27,040 lb. (12 265 kg)	
30-in. (750 mm) triple grouser shoes.....	33,731 lb. (15 300 kg)	
One-piece boom (with arm cylinder).....	6,557 lb. (2974 kg)	6,557 lb. (2974 kg)
Arm with bucket cylinder and linkage		
8 ft. 9 in. (2.66 m).....	3,635 lb. (1649 kg)	3,635 lb. (1649 kg)
10 ft. 6 in. (3.2 m).....	3,878 lb. (1759 kg)	3,878 lb. (1759 kg)
13 ft. 1 in. (4.0 m).....	4,187 lb. (1899 kg)	4,187 lb. (1899 kg)
Counterweight.....	15,018 lb. (6812 kg)	16,645 lb. (7550 kg)
Boom lift cylinders (2) total weight.....	1,429 lb. (648 kg)	1,429 lb. (648 kg)
54-in. (1370 mm) 2.3-cu. yd. (1.76 m ³) general-purpose bucket.....	2,557 lb. (1160 kg)	
54-in. (1370 mm) 2.3-cu. yd. (1.76 m ³) heavy-duty bucket.....	2,557 lb. (1160 kg)	



330LC OPERATING INFORMATION

	<i>Arm Length 8 ft. 9 in. (2.66 m)</i>	<i>Arm Length 10 ft. 6 in. (3.2 m)</i>	<i>Arm Length 13 ft. 1 in. (4.0 m)</i>
Arm force with 54-in. (1370 mm) general-purpose bucket*.....	43,000 lb. (191.3 kN)	36,060 lb. (160.4 kN)	30,880 lb. (137.4 kN)
Bucket tangential force with 54-in. (1370 mm) 2.3-cu. yd. (1.76 m ³) general-purpose bucket*.....	46,620 lb. (207.4 kN)	46,620 lb. (207.4 kN)	46,620 lb. (207.4 kN)
Lifting capacity over front @ ground level			
20-ft. (6.1 m) reach*.....	27,428 lb. (12 441 kg)	27,514 lb. (12 480 kg)	26,613 lb. (12 072 kg)
A Max. reach.....	34 ft. 6 in. (10.51 m)	36 ft. 3 in. (11.04 m)	38 ft. 9 in. (11.80 m)
A' Max. reach @ ground level.....	33 ft. 9 in. (10.30 m)	35 ft. 7 in. (10.84 m)	38 ft. 1 in. (11.67 m)
B Max. digging depth.....	22 ft. 2 in. (6.77 m)	23 ft. 11 in. (7.30 m)	26 ft. 7 in. (8.10 m)
B' Max. digging depth @ 8-ft. (2.44 m) flat bottom.....	21 ft. 7 in. (6.57 m)	23 ft. 5 in. (7.14 m)	26 ft. 2 in. (7.97 m)
C Max. cutting height.....	32 ft. 3 in. (9.83 m)	33 ft. 5 in. (10.19 m)	34 ft. 8 in. (10.58 m)
D Max. dumping height.....	22 ft. 8 in. (6.91 m)	23 ft. 8 in. (7.21 m)	24 ft. 10 in. (7.58 m)
E Min. swing radius.....	15 ft. 3 in. (4.65 m)	14 ft. 9 in. (4.49 m)	14 ft. 11 in. (4.54 m)
F Max. vertical wall.....	18 ft. 2 in. (5.54 m)	21 ft. 0 in. (6.40 m)	23 ft. 11 in. (7.29 m)
G Tail swing radius.....	10 ft. 10 in. (3.30 m)	10 ft. 10 in. (3.30 m)	10 ft. 10 in. (3.30 m)

*Maximum digging force with Power Boost.

370 OPERATING INFORMATION

	<i>Arm Length 8 ft. 9 in. (2.66 m)</i>	<i>Arm Length 10 ft. 6 in. (3.2 m)</i>	<i>Arm Length 13 ft. 1 in. (4.0 m)</i>
Arm force with 54-in. (1370 mm) heavy-duty bucket*.....	43,000 lb. (191.3 kN)	36,060 lb. (160.4 kN)	30,880 lb. (137.4 kN)
Bucket tangential force with 54-in. (1370 mm) 2.3-cu. yd. (1.76 m ³) heavy-duty bucket*.....	46,620 lb. (207.4 kN)	46,620 lb. (207.4 kN)	46,620 lb. (207.4 kN)
Lifting capacity over front @ ground level			
20-ft. (6.1 m) reach*.....	28,280 lb. (12 828 kg)	27,856 lb. (12 635 kg)	26,740 lb. (12 129 kg)
A Max. reach.....	34 ft. 6 in. (10.51 m)	36 ft. 3 in. (11.04 m)	38 ft. 9 in. (11.80 m)
A' Max. reach @ ground level.....	33 ft. 9 in. (10.27 m)	35 ft. 7 in. (10.82 m)	38 ft. 1 in. (11.60 m)
B Max. digging depth.....	21 ft. 11 in. (6.67 m)	23 ft. 8 in. (7.21 m)	26 ft. 3 in. (8.01 m)
B' Max. digging depth @ 8-ft. (2.44 m) flat bottom.....	21 ft. 3 in. (6.48 m)	23 ft. 2 in. (7.05 m)	25 ft. 10 in. (7.88 m)
C Max. cutting height.....	32 ft. 7 in. (9.93 m)	33 ft. 9 in. (10.28 m)	35 ft. 0 in. (10.68 m)
D Max. dumping height.....	23 ft. 0 in. (7.00 m)	23 ft. 7 in. (7.18 m)	25 ft. 2 in. (7.68 m)
E Min. swing radius.....	15 ft. 3 in. (4.65 m)	14 ft. 9 in. (4.49 m)	14 ft. 11 in. (4.54 m)
F Max. vertical wall.....	17 ft. 10 in. (5.44 m)	20 ft. 8 in. (6.31 m)	23 ft. 7 in. (7.20 m)
G Tail swing radius.....	10 ft. 10 in. (3.30 m)	10 ft. 10 in. (3.30 m)	10 ft. 10 in. (3.30 m)

*Maximum digging force with Power Boost.

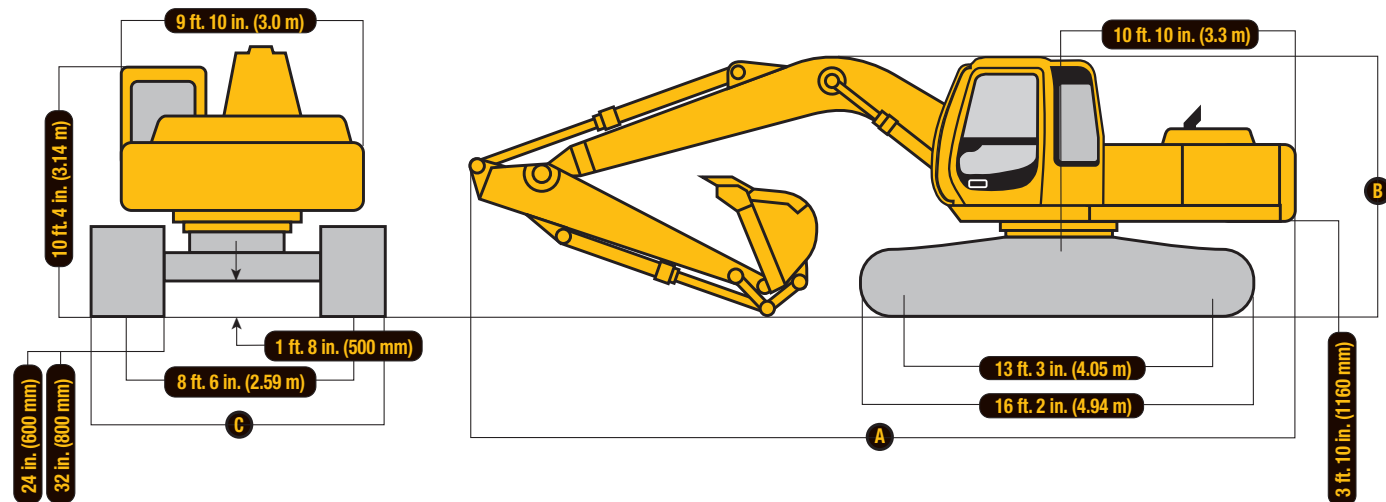
DIMENSIONS

330LC

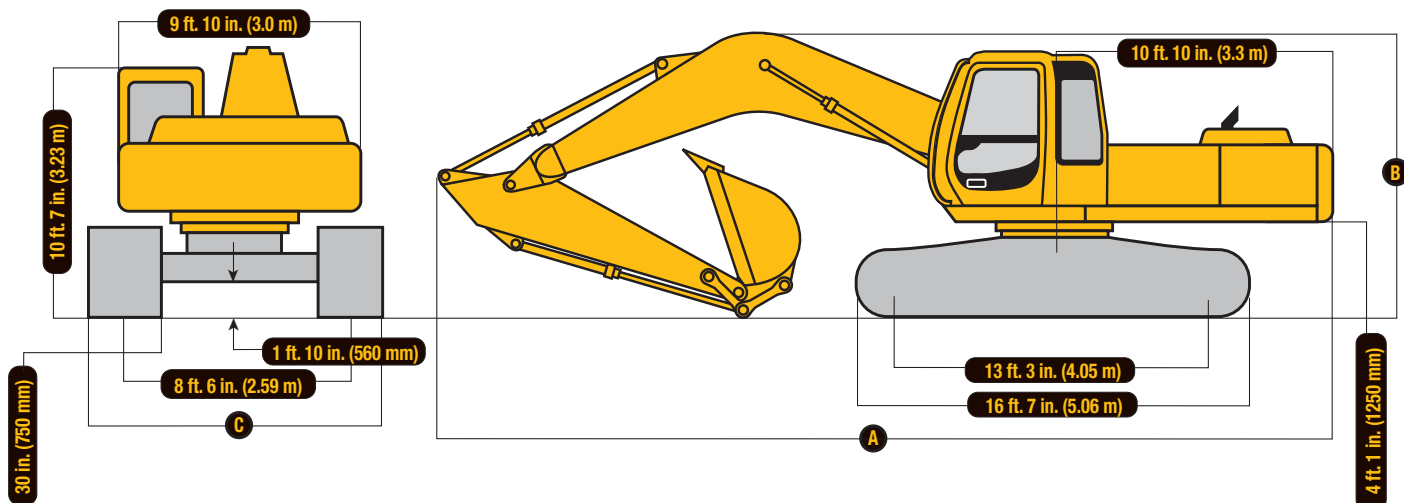
370

A	With 8-ft. 9-in. (2.66 m) arm.....	36 ft. 4 in. (11.07 m)
	With 10-ft. 6-in. (3.2 m) arm.....	35 ft. 11 in. (10.95 m)
	With 13-ft. 1-in. (4.0 m) arm.....	36 ft. 2 in. (11.03 m)
	With 8-ft. 9-in. (2.66 m) arm.....	36 ft. 3 in. (11.06 m)
	With 10-ft. 6-in. (3.2 m) arm.....	35 ft. 9 in. (10.90 m)
	With 13-ft. 1-in. (4.0 m) arm.....	36 ft. 1 in. (11.01 m)
B	With 8-ft. 9-in. (2.66 m) arm.....	11 ft. 4 in. (3.46 m)
	With 10-ft. 6-in. (3.2 m) arm.....	10 ft. 8 in. (3.24 m)
	With 13-ft. 1-in. (4.0 m) arm.....	11 ft. 7 in. (3.54 m)
	With 8-ft. 9-in. (2.66 m) arm.....	11 ft. 5 in. (3.48 m)
	With 10-ft. 6-in. (3.2 m) arm.....	10 ft. 8 in. (3.25 m)
	With 13-ft. 1-in. (4.0 m) arm.....	11 ft. 7 in. (3.53 m)
C	With 24-in. (600 mm) shoes.....	10 ft. 6 in. (3.19 m)
	With 32-in. (800 mm) shoes.....	11 ft. 1 in. (3.39 m)
	With 30-in. (750 mm) shoes.....	10 ft. 11 in. (3.34 m)

330LC EXCAVATOR



370 EXCAVATOR



330LC LIFT CAPACITIES

Boldface italic type indicates hydraulic-limited capacities with Power Boost on; lightface type indicates stability-limited capacities, in lb. (kg). Ratings at bucket lift hook, machine equipped with 2.3-cu. yd. (1.76 m³) 54-in. (1370 mm) wide, 2,557-lb. (1160 kg) bucket; and situated on firm, uniform supporting surface. Total load includes weight of cables, hook, etc. Figures do not exceed 87 percent of hydraulic capacities or 75 percent of weight needed to tip machine.

Load Point Height	10 ft. (3.05 m)		15 ft. (4.57 m)		20 ft. (6.10 m)		25 ft. (7.62 m)		30 ft. (9.14 m)		
	Over Front	Over Side	Over Front	Over Side	Over Front	Over Side	Over Front	Over Side	Over Front	Over Side	
<i>With 24-in. (600 mm) shoes and 8-ft. 9-in. (2.66 m) arm</i>											
20 ft. (6.10 m)								15,614 (7082)	13,164 (5971)		
15 ft. (4.57 m)					19,503 (8846)	18,511 (8397)	16,870 (7652)	12,644 (5735)	14,958 (6785)	8,927 (4049)	
10 ft. (3.05 m)					23,512 (10 665)	17,000 (7711)	18,786 (8521)	11,918 (5406)	14,630 (6636)	8,626 (3913)	
5 ft. (1.52 m)					26,856 (12 182)	15,732 (7136)	19,159 (8690)	11,225 (5092)	14,249 (6463)	8,277 (3755)	
Ground Line					26,567 (12 050)	15,064 (6833)	18,625 (8448)	10,745 (4874)	13,969 (6336)	8,021 (3638)	
-5 ft. (-1.52 m)			24,712 (11 209)	23,674 (10 738)	26,359 (11 956)	14,885 (6752)	18,404 (8348)	10,548 (4784)	13,912 (6310)	7,967 (3614)	
-10 ft. (-3.05 m)	36,270 (16 452)	36,270 (16 452)	22,481 (10 197)	22,481 (10 197)	25,330 (11 489)	15,055 (6829)	18,532 (8406)	10,662 (4836)			
-15 ft. (-4.57 m)			24,997 (11 338)	24,880 (11 285)	20,131 (9131)	15,612 (7081)					

<i>With 24-in. (600 mm) shoes and 10-ft. 6-in. (3.2 m) arm</i>											
20 ft. (6.10 m)								14,200 (6441)	13,376 (6067)	9,340 (4236)	9,189 (4168)
15 ft. (4.57 m)								15,634 (7092)	12,821 (5816)	14,524 (6588)	9,033 (4097)
10 ft. (3.05 m)			31,381 (14 234)	26,913 (12 208)	21,871 (9921)	17,393 (7889)	17,717 (8037)	12,057 (5469)	14,687 (6662)	8,663 (3930)	
5 ft. (1.52 m)					25,670 (11 644)	15,983 (7250)	19,260 (8736)	11,296 (5124)	14,244 (6461)	8,256 (3745)	
Ground Line			22,424 (10 171)	22,424 (10 171)	26,652 (12 089)	15,112 (6855)	18,623 (8447)	10,724 (4864)	13,888 (6299)	7,930 (3597)	
-5 ft. (-1.52 m)	16,671 (7562)	16,671 (7562)	21,746 (9864)	21,746 (9864)	26,256 (11 909)	14,768 (6699)	18,291 (8297)	10,426 (4729)	13,716 (6221)	7,771 (3525)	
-10 ft. (-3.05 m)	27,453 (12 453)	27,453 (12 453)	27,737 (12 581)	23,720 (10 759)	26,306 (11 932)	14,813 (6719)	18,285 (8294)	10,421 (4727)			
-15 ft. (-4.57 m)	21,253 (9640)	21,253 (9640)	28,221 (12 801)	24,366 (11 052)	22,279 (10 106)	15,214 (6901)	16,549 (7507)	10,804 (4900)			

<i>With 24-in. (600 mm) shoes and 13-ft. 1-in. (4.0 m) arm</i>											
20 ft. (6.10 m)										12,177 (5523)	9,527 (4321)
15 ft. (4.57 m)										12,961 (5879)	9,242 (4192)
10 ft. (3.05 m)			25,846 (11 723)	25,846 (11 723)	19,213 (8715)	18,053 (8188)	15,996 (7255)	12,349 (5601)	14,161 (6423)	8,797 (3990)	
5 ft. (1.52 m)			34,560 (15 676)	25,312 (11 481)	23,557 (10 685)	16,447 (7460)	18,397 (8345)	11,483 (5209)	14,324 (6497)	8,309 (3769)	
Ground Line			30,513 (13 841)	23,610 (10 709)	26,613 (12 072)	15,280 (6931)	18,700 (8482)	10,769 (4885)	13,861 (6287)	7,885 (3577)	
-5 ft. (-1.52 m)	17,933 (8134)	17,933 (8134)	29,010 (13 159)	23,119 (10 486)	26,182 (11 876)	14,672 (6655)	18,198 (8255)	10,318 (4680)	13,559 (6150)	7,607 (3451)	
-10 ft. (-3.05 m)	23,254 (10 548)	23,254 (10 548)	31,848 (14 446)	23,186 (10 517)	25,996 (11 792)	14,512 (6582)	18,019 (8173)	10,156 (4607)	13,486 (6117)	7,540 (3420)	
-15 ft. (-4.57 m)	24,068 (10 917)	24,068 (10 917)	32,070 (14 547)	23,644 (10 725)	24,559 (11 140)	14,717 (6675)	18,186 (8249)	10,307 (4675)			
-20 ft. (-6.10 m)			24,345 (11 043)	24,345 (11 043)	18,696 (8480)	15,354 (6964)					

<i>With 32-in. (800 mm) shoes and 8-ft. 9-in. (2.66 m) arm</i>											
20 ft. (6.10 m)								15,614 (7082)	13,551 (6147)		
15 ft. (4.57 m)					19,503 (8846)	19,023 (8629)	16,870 (7652)	13,031 (5911)	15,450 (7008)	9,238 (4190)	
10 ft. (3.05 m)					23,512 (10 665)	17,512 (7943)	18,786 (8521)	12,305 (5581)	15,122 (6859)	8,937 (4054)	
5 ft. (1.52 m)					26,856 (12 182)	16,245 (7369)	19,786 (8975)	11,612 (5267)	14,742 (6687)	8,588 (3896)	
Ground Line					27,428 (12 441)	15,576 (7065)	19,251 (8732)	11,132 (5050)	14,462 (6560)	8,331 (3779)	
-5 ft. (-1.52 m)			24,712 (11 209)	24,431 (11 082)	27,221 (12 347)	15,397 (6984)	19,031 (8632)	10,935 (4960)	14,405 (6534)	8,278 (3755)	
-10 ft. (-3.05 m)	36,270 (16 452)	36,270 (16 452)	22,481 (10 197)	22,481 (10 197)	25,330 (11 489)	15,567 (7061)	19,158 (8690)	11,049 (5012)			
-15 ft. (-4.57 m)			24,997 (11 338)	24,997 (11 338)	20,131 (9131)	16,125 (7314)					

<i>With 32-in. (800 mm) shoes and 10-ft. 6-in. (3.2 m) arm</i>											
20 ft. (6.10 m)								14,200 (6441)	13,763 (6243)	9,340 (4236)	9,340 (4236)
15 ft. (4.57 m)								15,634 (7092)	13,208 (5991)	14,524 (6588)	9,344 (4238)
10 ft. (3.05 m)			31,381 (14 234)	27,671 (12 551)	21,871 (9921)	17,905 (8121)	17,717 (8037)	12,444 (5645)	15,180 (6885)	8,974 (4071)	
5 ft. (1.52 m)					25,670 (11 644)	16,496 (7482)	19,801 (8981)	11,683 (5299)	14,737 (6684)	8,567 (3886)	
Ground Line			22,424 (10 171)	22,424 (10 171)	27,514 (12 480)	15,625 (7087)	19,250 (8732)	11,111 (5040)	14,380 (6523)	8,240 (3738)	
-5 ft. (-1.52 m)	16,671 (7562)	16,671 (7562)	21,746 (9864)	21,746 (9864)	27,116 (12 300)	15,281 (6931)	18,918 (8581)	10,813 (4905)	14,208 (6445)	8,082 (3666)	
-10 ft. (-3.05 m)	27,453 (12 453)	27,453 (12 453)	27,737 (12 581)	24,478 (11 103)	26,310 (11 934)	15,324 (6951)	18,912 (8578)	10,808 (4902)			
-15 ft. (-4.57 m)	21,253 (9640)	21,253 (9640)	28,221 (12 801)	25,124 (11 396)	22,279 (10 106)	15,726 (7133)	16,549 (7507)	11,192 (5076)			

<i>With 32-in. (800 mm) shoes and 13-ft. 1-in. (4.0 m) arm</i>											
20 ft. (6.10 m)										12,177 (5523)	9,839 (4463)
15 ft. (4.57 m)										12,961 (5879)	9,553 (4333)
10 ft. (3.05 m)			25,846 (11 723)	25,846 (11 723)	19,213 (8715)	18,565 (8421)	15,996 (7255)	12,736 (5777)	14,161 (6423)	9,108 (4131)	
5 ft. (1.52 m)			34,560 (15 676)	26,070 (11 825)	23,557 (10 685)	16,959 (7692)	18,397 (8345)	11,870 (5384)	14,816 (6720)	8,621 (3910)	
Ground Line			30,513 (13 841)	24,368 (11 053)	26,613 (12 072)	15,793 (7163)	19,327 (8767)	11,156 (5060)	14,354 (6511)	8,196 (3718)	
-5 ft. (-1.52 m)	17,933 (8134)	17,933 (8134)	29,010 (13 159)	23,877 (10 830)	27,043 (12 267)	15,185 (6888)	18,825 (8539)	10,705 (4856)	14,052 (6374)	7,918 (3592)	
-10 ft. (-3.05 m)	23,254 (10 548)	23,254 (10 548)	31,848 (14 446)	23,944 (10 861)	26,857 (12 182)	15,023 (6814)	18,644 (8457)	10,544 (4782)	13,978 (6340)	7,850 (3561)	
-15 ft. (-4.57 m)	24,068 (10 917)	24,068 (10 917)	32,070 (14 547)	24,402 (11 069)	24,559 (11 140)	15,229 (6908)	18,812 (8533)	10,694 (4851)			
-20 ft. (-6.10 m)			24,345 (11 043)	24,345 (11 043)	18,696 (8480)	15,866 (7197)					

370 LIFT CAPACITIES

Boldface italic type indicates hydraulic-limited capacities with Power Boost on; lightface type indicates stability-limited capacities, in lb. (kg). Ratings at bucket lift hook, machine equipped with 2.3-cu. yd. (1.76 m³) 54-in. (1370 mm) wide, 2,557-lb. (1160 kg) bucket; and situated on firm, uniform supporting surface. Total load includes weight of cables, hook, etc. Figures do not exceed 87 percent of hydraulic capacities or 75 percent of weight needed to tip machine.

Load Point Height	10 ft. (3.05 m)		15 ft. (4.57 m)		20 ft. (6.10 m)		25 ft. (7.62 m)		30 ft. (9.14 m)	
	Over Front	Over Side	Over Front	Over Side	Over Front	Over Side	Over Front	Over Side	Over Front	Over Side
<i>With 30-in. (750 mm) shoes and 8-ft. 9-in. (2.66 m) arm</i>										
20 ft. (6.10 m)							15,657 (7102)	15,609 (7080)		
15 ft. (4.57 m)					19,731 (8950)	19,731 (8950)	16,974 (7699)	15,069 (6835)	15,687 (7115)	10,896 (4942)
10 ft. (3.05 m)					23,753 (10 774)	20,174 (9151)	18,908 (8576)	14,338 (6504)	16,401 (7440)	10,586 (4802)
5 ft. (1.52 m)					27,001 (12 247)	18,939 (8591)	20,711 (9394)	13,654 (6194)	17,203 (7803)	10,238 (4644)
Ground Line					28,280 (12 828)	18,306 (8304)	21,733 (9858)	13,191 (5984)	16,933 (7681)	9,991 (4532)
-5 ft. (-1.52 m)			24,053 (10 910)	24,053 (10 910)	27,639 (12 537)	18,151 (8233)	21,530 (9766)	13,011 (5902)		
-10 ft. (-3.05 m)	33,626 (15 253)	33,626 (15 253)	23,341 (10 587)	23,341 (10 587)	25,112 (11 391)	18,341 (8319)	19,501 (8845)	13,147 (5963)		
-15 ft. (-4.57 m)			24,457 (11 093)	24,457 (11 093)	19,660 (8918)	18,929 (8586)				

With 30-in. (750 mm) shoes and 10-ft. 6-in. (3.2 m) arm

20 ft. (6.10 m)							14,258 (6467)	14,258 (6467)	10,017 (4544)	10,017 (4544)
15 ft. (4.57 m)							15,747 (7143)	15,244 (6915)	14,570 (6609)	10,995 (4987)
10 ft. (3.05 m)			31,974 (14 503)	31,510 (14 293)	22,129 (10 038)	20,562 (9327)	17,852 (8097)	14,475 (6566)	15,546 (7052)	10,620 (4817)
5 ft. (1.52 m)					25,855 (11 728)	19,177 (8699)	19,913 (9032)	13,721 (6224)	16,603 (7531)	10,214 (4633)
Ground Line			22,472 (10 193)	22,472 (10 193)	27,856 (12 635)	18,342 (8320)	21,301 (9662)	13,164 (5971)	16,845 (7641)	9,896 (4489)
-5 ft. (-1.52 m)	17,843 (8094)	17,843 (8094)	21,002 (9526)	21,002 (9526)	27,929 (12 668)	18,026 (8177)	21,578 (9787)	12,883 (5844)	16,687 (7569)	9,750 (4422)
-10 ft. (-3.05 m)	27,095 (12 290)	27,095 (12 290)	28,257 (12 817)	28,257 (12 817)	26,143 (11 858)	18,091 (8206)	20,311 (9213)	12,896 (5850)		
-15 ft. (-4.57 m)	22,251 (10 093)	22,251 (10 093)	27,762 (12 593)	27,762 (12 593)	21,924 (9945)	18,518 (8399)	16,126 (7314)	13,315 (6040)		

With 30-in. (750 mm) shoes and 13-ft. 1-in. (4.0 m) arm

25 ft. (7.62 m)									7,372 (3344)	7,372 (3344)
20 ft. (6.10 m)									12,291 (5575)	11,498 (5215)
15 ft. (4.57 m)							13,851 (6283)	13,851 (6283)	13,022 (5907)	11,200 (5080)
10 ft. (3.05 m)			26,447 (11 996)	26,447 (11 996)	19,490 (8841)	19,490 (8841)	16,144 (7323)	14,761 (6695)	14,242 (6460)	10,750 (4876)
5 ft. (1.52 m)			34,947 (15 852)	29,985 (13 601)	23,790 (10 791)	19,624 (8901)	18,533 (8407)	13,900 (6305)	15,577 (7066)	10,262 (4655)
Ground Line			30,235 (13 715)	28,386 (12 876)	26,740 (12 129)	18,492 (8388)	20,410 (9258)	13,200 (5987)	16,655 (7555)	9,845 (4466)
-5 ft. (-1.52 m)	18,673 (8470)	18,673 (8470)	29,093 (13 196)	27,940 (12 673)	27,839 (12 628)	17,915 (8126)	21,323 (9672)	12,765 (5790)	16,522 (7494)	9,577 (4344)
-10 ft. (-3.05 m)	22,667 (10 282)	22,667 (10 282)	32,093 (14 557)	28,033 (12 715)	27,110 (12 297)	17,778 (8064)	20,940 (9498)	12,622 (5725)	16,410 (7443)	9,526 (4321)
-15 ft. (-4.57 m)	24,722 (11 214)	24,722 (11 214)	31,714 (14 385)	28,514 (12 934)	24,316 (11 030)	18,006 (8167)	18,652 (8460)	12,794 (5803)		
-20 ft. (-6.10 m)			23,712 (10 755)	23,712 (10 755)	18,161 (8238)	18,161 (8238)				

330LC BUCKETS

A full line of buckets is offered to meet a wide variety of applications. The buckets have an adjustable bushing for side clearance, with the exception of the ditching bucket. Tooth selection includes either the John Deere Fanggs®, Standard, Tiger, Twin Tiger, Abrasion panel, or Flare tooth, or the ESCO (Vertalok) Standard, Tiger, Twin Tiger, or Flare tooth. Replaceable cutting edges are available through John Deere parts. Optional side cutters add 6 inches (150 mm) to bucket widths.

Type Bucket	Bucket Width		Bucket Capacity*		Weight		Bucket Dig Force		Arm Dig Force 8 ft. 9 in. (2.7 m)		Arm Dig Force 10 ft. 6 in. (3.2 m)		Arm Dig Force 13 ft. 1 in. (4.0 m)		Bucket Tip Radius		No. Teeth
	in.	mm	cu. yd.	m ³	lb.	kg	lb.	kN	lb.	kN	lb.	kN	lb.	kN	in.	mm	
General-Purpose	30	762	1.20	0.92	1,770	803	46,620	207.4	43,000	191.3	36,060	160.4	30,880	137.4	63.0	1600	4
Plate Lip	36	914	1.48	1.13	1,872	849	46,620	207.4	43,000	191.3	36,060	160.4	30,880	137.4	63.0	1600	4
	42	1067	1.75	1.34	1,998	906	46,620	207.4	43,000	191.3	36,060	160.4	30,880	137.4	63.0	1600	5
	48	1219	2.03	1.55	2,115	959	46,620	207.4	43,000	191.3	36,060	160.4	30,880	137.4	63.0	1600	6
	54	1372	2.30	1.76	2,215	1005	46,620	207.4	43,000	191.3	36,060	160.4	30,880	137.4	63.0	1600	7
	60	1524	2.59	1.98	2,338	1061	46,620	207.4	43,000	191.3	36,060	160.4	30,880	137.4	63.0	1600	7
General-Purpose	30	762	1.26	0.96	2,420	1098	42,251	187.9	41,389	184.1	34,859	155.1	29,997	133.4	69.5	1765	4
High Capacity	36	914	1.56	1.19	2,550	1157	42,251	187.9	41,389	184.1	34,859	155.1	29,997	133.4	69.5	1765	4
	42	1067	1.85	1.41	2,710	1229	42,251	187.9	41,389	184.1	34,859	155.1	29,997	133.4	69.5	1765	5
	48	1219	2.15	1.64	2,815	1277	42,251	187.9	41,389	184.1	34,859	155.1	29,997	133.4	69.5	1765	6
	54	1372	2.45	1.87	2,982	1353	42,251	187.9	41,389	184.1	34,859	155.1	29,997	133.4	69.5	1765	7
	60	1524	2.74	2.09	3,089	1401	42,251	187.9	41,389	184.1	34,859	155.1	29,997	133.4	69.5	1765	7
Heavy-Duty	36	914	1.48	1.13	2,138	970	46,620	207.4	43,000	191.3	36,060	160.4	30,880	137.4	63.0	1600	4
Plate Lip	42	1067	1.75	1.34	2,210	1002	46,620	207.4	43,000	191.3	36,060	160.4	30,880	137.4	63.0	1600	5
	48	1219	2.03	1.55	2,324	1054	46,620	207.4	43,000	191.3	36,060	160.4	30,880	137.4	63.0	1600	6
	54	1372	2.30	1.76	2,557	1160	46,620	207.4	43,000	191.3	36,060	160.4	30,880	137.4	63.0	1600	6
	60	1524	2.59	1.98	2,774	1258	46,620	207.4	43,000	191.3	36,060	160.4	30,880	137.4	63.0	1600	7
Heavy-Duty	30	762	1.26	0.96	2,516	1141	42,251	187.9	41,389	184.1	34,859	155.1	29,997	133.4	69.5	1765	4
High Capacity	36	914	1.56	1.19	2,781	1261	42,251	187.9	41,389	184.1	34,859	155.1	29,997	133.4	69.5	1765	4
	42	1067	1.85	1.41	3,120	1415	42,251	187.9	41,389	184.1	34,859	155.1	29,997	133.4	69.5	1765	5
	48	1219	2.15	1.64	3,318	1505	42,251	187.9	41,389	184.1	34,859	155.1	29,997	133.4	69.5	1765	6
	54	1372	2.45	1.87	3,562	1616	42,251	187.9	41,389	184.1	34,859	155.1	29,997	133.4	69.5	1765	6
	60	1524	2.74	2.09	3,815	1727	42,251	187.9	41,389	184.1	34,859	155.1	29,997	133.4	69.5	1765	7
Severe-Duty	42	1067	1.75	1.34	2,774	1258	45,177	201.0	42,486	189.0	35,680	158.7	30,604	136.1	65.0	1651	5
Cast Lip	48	1219	2.03	1.55	2,815	1277	45,177	201.0	42,486	189.0	35,680	158.7	30,604	136.1	65.0	1651	5
	54	1372	2.30	1.76	3,089	1401	45,177	201.0	42,486	189.0	35,680	158.7	30,604	136.1	65.0	1651	5
Severe-Duty	30	762	1.26	0.96	2,850	1293	39,682	176.5	40,347	179.5	34,074	151.6	29,414	130.8	74.0	1880	3
Plate Lip	36	914	1.56	1.19	3,024	1372	39,682	176.5	40,347	179.5	34,074	151.6	29,414	130.8	74.0	1880	4
	42	1067	1.85	1.41	3,343	1516	39,682	176.5	40,347	179.5	34,074	151.6	29,414	130.8	74.0	1880	4
	48	1219	2.15	1.64	3,522	1598	39,682	176.5	40,347	179.5	34,074	151.6	29,414	130.8	74.0	1880	5
	54	1372	2.45	1.87	3,715	1688	39,682	176.5	40,347	179.5	34,074	151.6	29,414	130.8	74.0	1880	5
Ditching	72	1829	1.66	1.27	2,531	1148	57,578	256.1	46,306	206.0	38,503	171.3	32,659	145.3	51.0	1295	0

*All capacities are SAE heaped ratings.

370 BUCKETS

A full line of buckets is offered to meet a wide variety of applications. The buckets have an adjustable bushing for side clearance, with the exception of the ditching bucket. Tooth selection includes either the John Deere Fanggs®, Standard, Tiger, Twin Tiger, Abrasion panel, or Flare tooth, or the ESCO (Vertalok) Standard, Tiger, Twin Tiger, or Flare tooth. Replaceable cutting edges are available through John Deere parts. Optional side cutters add 6 inches (150 mm) to bucket widths.

Type Bucket	Bucket Width		Bucket Capacity*		Weight		Bucket Dig Force		Arm Dig Force 8 ft. 9 in. (2.7 m)		Arm Dig Force 10 ft. 6 in. (3.2 m)		Arm Dig Force 13 ft. 1 in. (4.0 m)		Bucket Tip Radius		No. Teeth
	in.	mm	cu. yd.	m ³	lb.	kg	lb.	kN	lb.	kN	lb.	kN	lb.	kN	in.	mm	
General-Purpose Plate Lip	30	762	1.20	0.92	1,770	803	46,620	207.4	43,000	191.3	36,060	160.4	30,880	137.4	63.0	1600	4
	36	914	1.48	1.13	1,872	849	46,620	207.4	43,000	191.3	36,060	160.4	30,880	137.4	63.0	1600	4
	42	1067	1.75	1.34	1,998	906	46,620	207.4	43,000	191.3	36,060	160.4	30,880	137.4	63.0	1600	5
	48	1219	2.03	1.55	2,115	959	46,620	207.4	43,000	191.3	36,060	160.4	30,880	137.4	63.0	1600	6
	54	1372	2.30	1.76	2,215	1005	46,620	207.4	43,000	191.3	36,060	160.4	30,880	137.4	63.0	1600	7
	60	1524	2.59	1.98	2,338	1061	46,620	207.4	43,000	191.3	36,060	160.4	30,880	137.4	63.0	1600	7
General-Purpose High Capacity	30	762	1.26	0.96	2,420	1098	42,251	187.9	41,389	184.1	34,859	155.1	29,997	133.4	69.5	1765	4
	36	914	1.56	1.19	2,550	1157	42,251	187.9	41,389	184.1	34,859	155.1	29,997	133.4	69.5	1765	4
	42	1067	1.85	1.41	2,710	1229	42,251	187.9	41,389	184.1	34,859	155.1	29,997	133.4	69.5	1765	5
	48	1219	2.15	1.64	2,815	1277	42,251	187.9	41,389	184.1	34,859	155.1	29,997	133.4	69.5	1765	6
	54	1372	2.45	1.87	2,982	1353	42,251	187.9	41,389	184.1	34,859	155.1	29,997	133.4	69.5	1765	7
	60	1524	2.74	2.09	3,089	1401	42,251	187.9	41,389	184.1	34,859	155.1	29,997	133.4	69.5	1765	7
Heavy-Duty Plate Lip	36	914	1.48	1.13	2,138	970	46,620	207.4	43,000	191.3	36,060	160.4	30,880	137.4	63.0	1600	4
	42	1067	1.75	1.34	2,210	1002	46,620	207.4	43,000	191.3	36,060	160.4	30,880	137.4	63.0	1600	5
	48	1219	2.03	1.55	2,324	1054	46,620	207.4	43,000	191.3	36,060	160.4	30,880	137.4	63.0	1600	6
	54	1372	2.30	1.76	2,557	1160	46,620	207.4	43,000	191.3	36,060	160.4	30,880	137.4	63.0	1600	6
Heavy-Duty High Capacity	30	762	1.26	0.96	2,516	1141	42,251	187.9	41,389	184.1	34,859	155.1	29,997	133.4	69.5	1765	4
	36	914	1.56	1.19	2,781	1261	42,251	187.9	41,389	184.1	34,859	155.1	29,997	133.4	69.5	1765	4
	42	1067	1.85	1.41	3,120	1415	42,251	187.9	41,389	184.1	34,859	155.1	29,997	133.4	69.5	1765	5
	48	1219	2.15	1.64	3,318	1505	42,251	187.9	41,389	184.1	34,859	155.1	29,997	133.4	69.5	1765	6
Severe-Duty Cast Lip	42	1067	1.75	1.34	2,774	1258	45,177	201.0	42,486	189.0	35,680	158.7	30,604	136.1	65.0	1651	5
	48	1219	2.03	1.55	2,815	1277	45,177	201.0	42,486	189.0	35,680	158.7	30,604	136.1	65.0	1651	5
	30	762	1.26	0.96	2,850	1293	39,682	176.5	40,347	179.5	34,074	151.6	29,414	130.8	74.0	1880	3
	36	914	1.56	1.19	3,024	1372	39,682	176.5	40,347	179.5	34,074	151.6	29,414	130.8	74.0	1880	4
Severe-Duty Plate Lip	42	1067	1.85	1.41	3,343	1516	39,682	176.5	40,347	179.5	34,074	151.6	29,414	130.8	74.0	1880	4
	48	1219	2.15	1.64	3,522	1598	39,682	176.5	40,347	179.5	34,074	151.6	29,414	130.8	74.0	1880	5
	Ditching	72	1829	1.66	1.27	2,531	1148	57,578	256.1	46,306	206.0	38,503	171.3	32,659	145.3	51.0	1295

*All capacities are SAE heaped ratings.

BUCKET SELECTION CHART

330LC

370

	<i>General-Purpose Bucket*</i>	<i>Heavy-Duty Bucket*</i>	<i>General-Purpose Bucket*</i>	<i>Heavy-Duty Bucket*</i>
Material (loose weight)				
Wood chips – 700 lb./cu. yd. (420 kg/m ³)	9.0 cu. yd. (6.9 m ³)	—	9.0 cu. yd. (6.9 m ³)	—
Peat, dry – 750 lb./cu. yd. (440 kg/m ³)	8.0 cu. yd. (6.1 m ³)	—	8.0 cu. yd. (6.1 m ³)	—
Cinders – 950 lb./cu. yd. (560 kg/m ³)	5.5 cu. yd. (4.2 m ³)	—	5.5 cu. yd. (4.2 m ³)	—
Peat, wet – 1,170 lb./cu. yd. (690 kg/m ³)	5.0 cu. yd. (3.8 m ³)	—	5.0 cu. yd. (3.8 m ³)	—
Topsoil – 1,600 lb./cu. yd. (950 kg/m ³)	4.0 cu. yd. (3.0 m ³)	—	4.0 cu. yd. (3.0 m ³)	—
Coal – 1,780 lb./cu. yd. (1050 kg/m ³)	3.5 cu. yd. (2.7 m ³)	3.25 cu. yd. (2.5 m ³)	3.5 cu. yd. (2.7 m ³)	3.25 cu. yd. (2.5 m ³)
Caliche – 2,100 lb./cu. yd. (1250 kg/m ³)	1.75–2.5 cu. yd. (1.3–1.9 m ³)	1.5–2.5 cu. yd. (1.1–1.9 m ³)	1.75–2.5 cu. yd. (1.3–1.9 m ³)	1.5–2.5 cu. yd. (1.1–1.9 m ³)
Earth, loam – 2,100 lb./cu. yd. (1250 kg/m ³)	2.75 cu. yd. (2.1 m ³)	2.5 cu. yd. (1.9 m ³)	2.75 cu. yd. (2.1 m ³)	2.5 cu. yd. (1.9 m ³)
Shale – 2,250 lb./cu. yd. (1330 kg/m ³)	2.75 cu. yd. (2.1 m ³)	2.5 cu. yd. (1.9 m ³)	2.75 cu. yd. (2.1 m ³)	2.5 cu. yd. (1.9 m ³)
Sand, dry – 2,400 lb./cu. yd. (1420 kg/m ³)	2.75 cu. yd. (2.1 m ³)	2.5 cu. yd. (1.9 m ³)	2.75 cu. yd. (2.1 m ³)	2.5 cu. yd. (1.9 m ³)
Clay, dry – 2,500 lb./cu. yd. (1480 kg/m ³)	2.0–2.5 cu. yd. (1.5–1.9 m ³)	1.75–2.25 cu. yd. (1.3–1.7 m ³)	2.0–2.5 cu. yd. (1.5–1.9 m ³)	1.75–2.25 cu. yd. (1.3–1.7 m ³)
Earth, dry – 2,550 lb./cu. yd. (1510 kg/m ³)	2.0–2.5 cu. yd. (1.5–1.9 m ³)	1.75–2.25 cu. yd. (1.3–1.7 m ³)	2.0–2.5 cu. yd. (1.5–1.9 m ³)	1.75–2.25 cu. yd. (1.3–1.7 m ³)
Limestone, broken or crushed – 2,600 lb./cu. yd. (1540 kg/m ³)	1.63–2.25 cu. yd. (1.2–1.7 m ³)	1.5–2.0 cu. yd. (1.1–1.5 m ³)	1.63–2.25 cu. yd. (1.2–1.7 m ³)	1.5–2.0 cu. yd. (1.1–1.5 m ³)
Earth, wet – 2,700 lb./cu. yd. (1600 kg/m ³)	2.0–2.5 cu. yd. (1.5–1.9 m ³)	1.75–2.25 cu. yd. (1.3–1.7 m ³)	2.0–2.5 cu. yd. (1.5–1.9 m ³)	1.75–2.25 cu. yd. (1.3–1.7 m ³)
Clay, wet – 2,800 lb./cu. yd. (1660 kg/m ³)	2.0–2.5 cu. yd. (1.5–1.9 m ³)	1.75–2.25 cu. yd. (1.3–1.7 m ³)	2.0–2.5 cu. yd. (1.5–1.9 m ³)	1.75–2.25 cu. yd. (1.3–1.7 m ³)
Rock, granite, blasted and broken – 2,800 lb./cu. yd. (1660 kg/m ³)	1.63–2.75 cu. yd. (1.2–2.1 m ³)	1.5–2.5 cu. yd. (1.1–1.9 m ³)	1.63–2.75 cu. yd. (1.2–2.1 m ³)	1.5–2.5 cu. yd. (1.1–1.9 m ³)
Sand, moist – 2,850 lb./cu. yd. (1690 kg/m ³)	2.25 cu. yd. (1.7 m ³)	2.1 cu. yd. (1.6 m ³)	2.25 cu. yd. (1.7 m ³)	2.1 cu. yd. (1.6 m ³)
Sand and gravel, dry – 2,900 lb./cu. yd. (1720 kg/m ³)	2.25 cu. yd. (1.7 m ³)	2.1 cu. yd. (1.6 m ³)	2.25 cu. yd. (1.7 m ³)	2.1 cu. yd. (1.6 m ³)
Sand, wet – 3,100 lb./cu. yd. (1840 kg/m ³)	2.15 cu. yd. (1.6 m ³)	2.0 cu. yd. (1.5 m ³)	2.15 cu. yd. (1.6 m ³)	2.0 cu. yd. (1.5 m ³)
Sand and gravel, wet – 3,400 lb./cu. yd. (2020 kg/m ³)	2.0 cu. yd. (1.5 m ³)	1.85 cu. yd. (1.4 m ³)	2.0 cu. yd. (1.5 m ³)	1.85 cu. yd. (1.4 m ³)

*Contact your John Deere dealer for optimum bucket and attachment selections. These recommendations are for general conditions and average use. Larger buckets may be possible for flat and level operations, less compacted materials, and volume loading applications such as mass excavation applications in ideal conditions. Smaller buckets are recommended for adverse conditions such as off-level applications and uneven surfaces. Bucket capacity indicated is SAE heaped.

	330LC	370		330LC	370		330LC	370
ENGINE								
Auto-idle system	●	●	Fuel cap	●	●	Hydraulic shutoff lever, all controls	●	●
Automatic belt tension device	●	●	Service doors	●	●	Hydraulic warm-up control	●	●
Batteries (two 12 volt), 180-min. reserve capacity	●	●	FRONT ATTACHMENTS			Interior light	●	●
Coolant recovery tank	●	●	Bucket-to-arm clearance adjustable bushing (except ditching bucket)	●	●	Mode selectors (illuminated)	●	●
Dual element dry-type air filter	●	●	Centralized lubrication system	●	●	Power modes – four	●	●
Enclosed fan guard	●	●	Dirt seals on all bucket pins	●	●	Travel modes – two with automatic shift	●	●
Conforms to SAE J1308	●	●	No-boom-arm option	●	●	Work modes – four	●	●
Engine coolant to -34°F (-37°C)	●	●	Arm, 8 ft. 9 in. (2.66 m)	■	■	Monitor system with alarm features	●	●
Fuel/water separator	●	●	Arm, 10 ft. 6 in. (3.2 m)	■	■	Auto-idle indicator light	●	●
Full-flow oil filter	●	●	Arm, 13 ft. 1 in. (4.0 m)	■	■	Engine air cleaner restriction indicator light	●	●
Isolation mounted	●	●	Attachment quick couplers	■	■	Engine coolant temperature indicator light with audible alarm	●	●
John Deere vertical spin-on fuel filter	●	●	Boom cylinder with plumbing to mainframe for no-boom-arm option	■	■	Engine oil pressure indicator light with audible alarm	●	●
Key start switch with electric fuel shutoff	●	●	Bucket			Fluid level		
Oil-to-coolant engine oil cooler	●	●	Ditching	■	■	Engine coolant level indicator light	●	●
Radiator trash screen	●	●	General purpose	■	■	Engine oil level indicator light	●	●
Turbocharger air cooler	●	●	General purpose, high capacity	■	■	Hydraulic oil level indicator light	●	●
Underhood muffler with vertical curved end exhaust stack	●	●	Heavy duty	■	■	Low alternator charge indicator light	●	●
Electric ether starting aid	■	■	Heavy duty, high capacity	■	■	Low fuel indicator light	●	●
Engine coolant heater	■	■	Severe duty, cast lip	■	■	Hydraulic oil filter restriction indicator light	■	■
HYDRAULIC SYSTEM			Severe duty, plate lip	■	■	Motion alarm with cancel switch	●	●
Anti-drift valve for boom down, arm in	●	●	Side cutters and teeth	■	■	Conforms to SAE J994		
Auxiliary hydraulic valve section	●	●	Laser depth systems	■	■	Power boost switch on right control lever	●	●
Spring-applied, hydraulically released automatic swing brake	●	●	Material clamps	■	■	Propel pedals and levers	●	●
Auxiliary hydraulic lines	■	■	Super-long fronts	■	■	SAE two lever control pattern	●	●
Auxiliary pilot and electric controls	■	■	OPERATOR'S STATION			Seat belt, 2 in. (51 mm)	●	●
Hydraulic filter restriction indicator kit	■	■	Adjustable independent control positions (levers-to-seat, seat-to-pedals)	●	●	Seat belt, 3 in. (76 mm)	■	■
Load-lowering control device	■	■	AM/FM radio	●	●	Sound suppression	●	●
Single-pedal propel control	■	■	Built-in Operator's Manual storage compartment and manual	●	●	Tinted glass	●	●
UNDERCARRIAGE			Coat hook	●	●	24- to 12-volt D.C. radio converters	■	■
Planetary drive	●	●	Deluxe suspension cloth seat with adjustable armrests	●	●	Air conditioning	●	●
Propel motor shields	●	●	Floor mat	●	●	Alternate pilot control pattern	■	■
Track guides, front idler and center	●	●	Front windshield wiper with intermittent speeds	●	●	Defroster fan	■	■
Triple semi-grouser shoes, 24 in. (600 mm)	●	●	Gauges (illuminated)	●	●	Window vandal protection covers	■	■
Triple semi-grouser shoes, 32 in. (800 mm)	■	■	Engine coolant	●	●	ELECTRICAL		
Triple semi-grouser shoes, 30 in. (750 mm)	●	●	Fuel	●	●	Blade-type multi-fused circuits	●	●
Two-speed propel with automatic shift	●	●	Heater, 20,000 Btu/hr. (5.9 kW) with blower fan	●	●	By-pass start safety cover on starter	●	●
Upper carrier rollers (2)	●	●	Hinged roof panel	●	●	Positive terminal battery covers	●	●
UPPERSTRUCTURE			Horn, electric	●	●	LIGHTS		
Right- and left-hand mirrors	●	●	Hourmeter, electric	●	●	Work lights		
Vandal locks with ignition key	●	●				Halogen, 33,000 candlepower (375,757 lux)	●	●
Cab door	●	●				One mounted on boom	●	●
						One mounted on frame	●	●

KEY: ● Standard equipment ■ Optional or special equipment

See your John Deere dealer for further information.

CONTROL OWNING AND OPERATING COSTS

Total Repair Cost Management (TRCM) is part of John Deere's proactive, fix-before-fail strategy on machine maintenance that will help control costs, increase profits, and reduce stress. Included in this comprehensive lineup of ongoing programs and services are:

OilScan® Plus program – tells you what's going on inside *all* of your machine's major components so you'll know if there's a problem *before* you see a decline in performance. OilScan Plus oil analysis is included in most SECURE®-Extended warranty and preventive-maintenance contracts.

MaintainIt™ program – Flexible, easy-to-use MaintainIt software lets you start your own computerized maintenance program by putting complete machine histories at your fingertips. It features a library of John Deere equipment, a spare-parts inventory list, and a list of maintenance tasks. Compare costs; schedule maintenance procedures by hourmeter or date; or print, fax, or e-mail purchase and work orders with just a few quick keystrokes.

Component life-cycle data – gives you vital information on the projected life span of components and lets you make informed decisions on machine maintenance by telling you approximately how many hours of use you can expect from an engine,

transmission, or hydraulic pump. This information can be used to preempt catastrophic downtime by servicing major components at about 80 percent of their life cycle.

Preventive Maintenance (PM) contracts – give you a fixed cost for maintaining a machine for a given period of time. It also helps you avoid downtime by ensuring that critical maintenance work gets done right and on schedule. On-site preventive maintenance service performed where and when you need it helps protect you from the expense of catastrophic failures and lets you avoid waste-disposal hassles.

SECURE-Extended warranty – gives you a fixed cost for machine repairs for a given period of time so you can effectively manage costs. Whether you work in a severe-service setting or just want to spread the risk of doing business, this is a great way to custom-fit coverage for your operation. And a SECURE-Extended contract also travels well because it's backed by John Deere and is honored by *all* Deere construction dealers.

Customer Support Advisors (CSAs) – Deere believes the CSA program lends a *personal* quality to Total Repair Cost Management. Certified CSAs have the knowledge and skills for helping make important decisions on machine maintenance and repair. Their mission is to help you implement a plan that's right for *your* business and take the burden of machine maintenance off your shoulders.



Net engine power is with standard equipment including air cleaner, exhaust system, alternator, and cooling fan, at standard conditions per SAE J1349 and DIN 6270B, using No. 2-D fuel at 35 API gravity. No derating is required up to 10,000 ft. (3050 m) altitude. Gross power is without cooling fan.

Specifications and design subject to change without notice. Wherever applicable, specifications are in accordance with PCSA and SAE standards. Except where otherwise noted, these specifications are based on units with 32-in. (800 mm) triple grouser shoes, 13-ft. 1-in. (4.0 m) arm, 54-in. (1370 mm) 2.3-cu. yd. (1.76 m³) buckets, full fuel tanks, and 175-lb. (79 kg) operators.

