

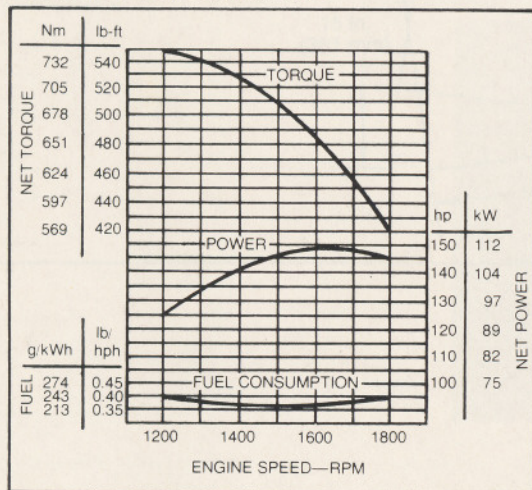


# 850 LGP\* BULLDOZER



Model shown may include options

## ENGINE PERFORMANCE



Note: The 850 LGP Bulldozer is designed to work in mud, snow or other soft ground conditions. Frequent misapplication in rocky or hard ground will decrease undercarriage life and may cause component damage.

\*Low Ground Pressure

## FEATURES

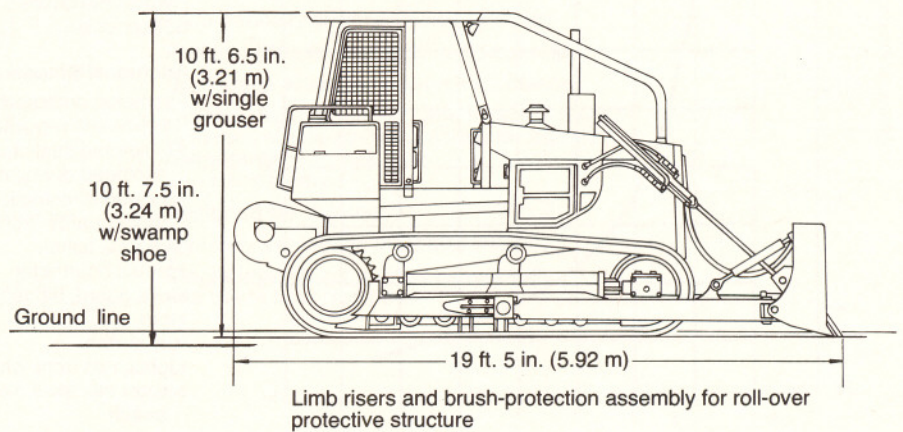
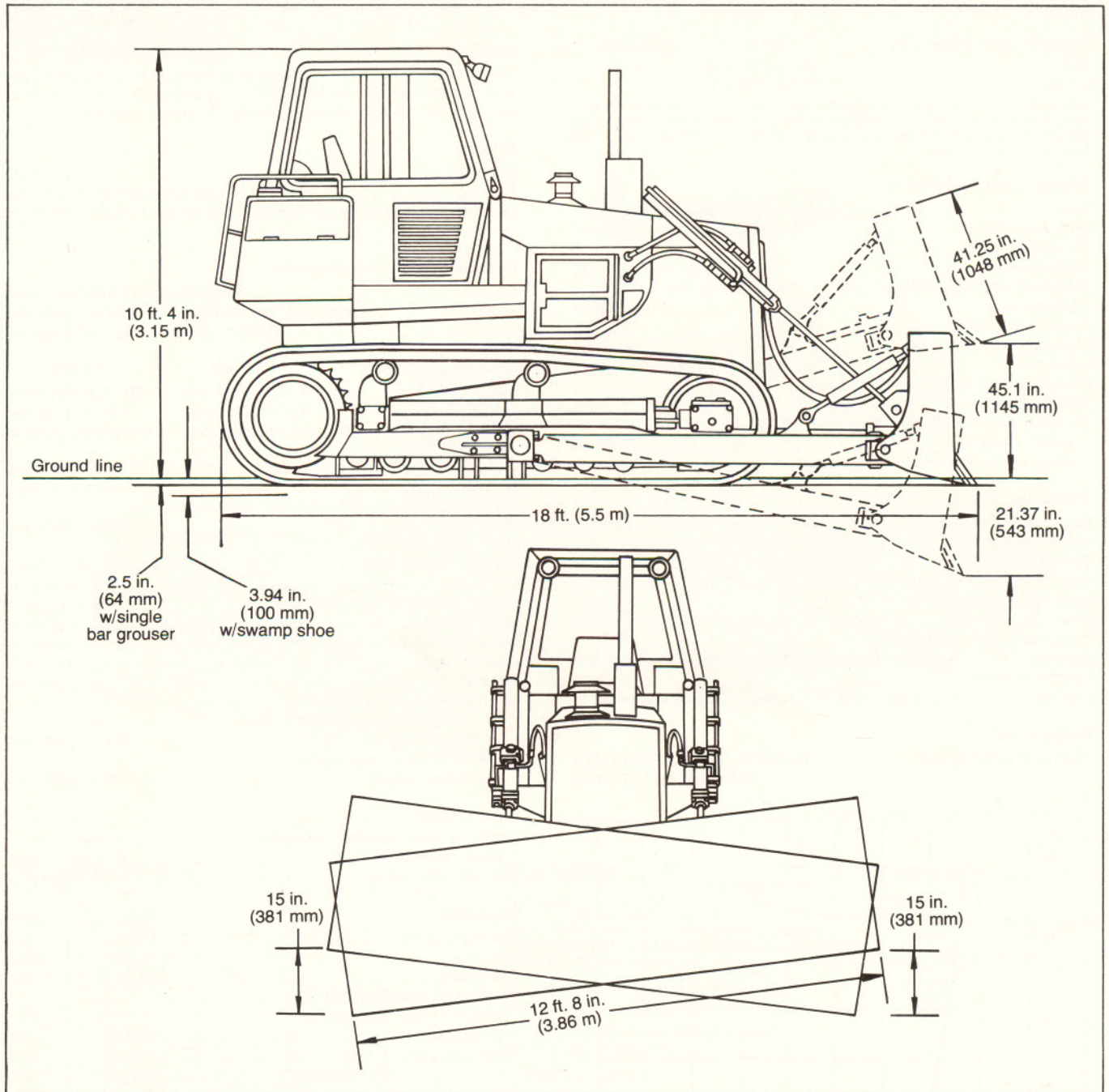
- 145 SAE net hp (108 kW)
- Dual-Path automatic hydrostatic drive with infinitely variable speeds up to 6.5 mph (10.5 km/h)
- Single lever for speed and direction control
- Levers or pedals for independent track control steering
- Full power turns
- No steering clutches or steering brakes
- Automatically engaged parking brake
- Perforated hood and engine side shields
- Dual-stage aspirated dry-type air cleaner
- DURA-TRAX™ undercarriage includes 38-in. (965 mm) single-bar track shoes for flotation, deep-hardened track links and track rollers
- Designed for quietness
- Roll-over protective structure (ROPS)
- Single-lever dozer control w/hydraulic tilt and blade float position

## ADD VERSATILITY WITH

- Winch
  - Regular or slow-speed gear
  - Free-spool option
  - 3- or 4-roller fairlead
- Drawbar
  - Rigid
  - Swinging



# 850 LGP BULLDOZER DIMENSIONS

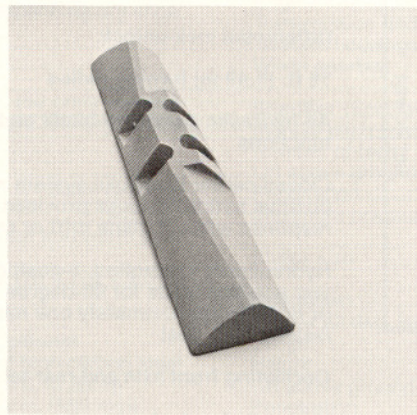


## 850 LGP BULLDOZER

### Optional or Special Equipment with Weights:

(Add these weights to SAE Standard Equipment operating weights to obtain total operating weights.)

	lb.	kg
Alternator, 50 amp, heavy-duty, brushless	21	10
Batteries (two 12-volt) cold cranking capacity @ 0°F (-18°C) 800 amps; reserve capacity 310 min. each	105	48
Cab with pressurizer, heater, 50-amp alternator and regular hood	418	190
Air conditioner	108	49
Windshield washer	3	1
Cold weather starting aid	2	1
Cupped end bits	7	3
Drawbar, fixed	270	122
Engine coolant heater	2	1
Fan, reversible	40	18
Fire extinguisher	6	3
Front pull hook	33	15
Fuel filter, water separator	6	3
Hydraulics:		
Hydraulic lines to rear	4	2
Hydraulic valve, third function	10	5
Selector valve and lines to rear	14	6
Oil sampling kit	2	1
Pedal steering	-12	-5
Pedal extensions	7	3
Protection items:		
Brush screen, heavy-duty third-post type	275	125
Brush screens, regular-duty	72	33
Grille plate, heavy-duty, hinged	124	56
Guards, bottom, heavy-duty	281	127
Guards, lift cylinder	44	20
Guards, final-drive seal	38	17
Limb risers	353	160
Rear screen	50	23
Roof extension	475	215
Tank protection	663	301
Tilt cylinder hose protection	5	2
Radiator sand shield	25	11
Reverse warning alarm	10	5
Tracks:		
Dura-Trax™ lubricated chain w/split master link		
38-in. (965 mm) single bar grouser	0	0
38-in. (965 mm) variable penetration swamp shoe	-950	-431



Variable penetration swamp shoe