

# SPECIFICATIONS

ENGINE	410D	510D
Type	John Deere 404ST Turbocharged	John Deere 404ST Turbocharged
Rated power @ 2,200 rpm	85 SAE net hp (63.5 kW) / 90 SAE gross hp (67 kW)	95 SAE net hp (71 kW) / 100 SAE gross hp (75 kW)
Cylinders	4	4
Displacement	276 cu. in. (4.524 L)	276 cu. in. (4.524 L)
Fuel consumption, typical	1.0 to 2.0 gal./hr. (3.8 to 7.6 L/h)	1.6 to 2.6 gal./hr. (6.0 to 9.8 L/h)
Torque rise	25 percent	25 percent
Maximum net torque	254 lb.-ft. (324 Nm)	268 lb.-ft. (363 Nm)
Lubrication	pressure system with full-flow spin-on filter and cooler	pressure system with full-flow filter and cooler
Air cleaner	dual stage dry type with safety element and precleaner	dual stage dry type with safety element and precleaner
Electrical system	12 volt with 95-amp alternator	12 volt with 95-amp alternator
Sucker-type cooling fan		
<b>TRANSMISSION</b>	four-speed, helical cut gear, collar shift transmission synchronized in all gears with hydraulic reverser	
Torque converter, single stage, dual phase with 2.23:1 stall ratio	11 in. (280 mm)	11 in. (280 mm)
Travel speeds with 19.5L-24 rear tires		
	<i>Forward</i>	<i>Reverse</i>
Gear 1	3.4 mph (5.5 km/h)	3.4 mph (5.5 km/h)
Gear 2	5.9 mph (9.5 km/h)	5.9 mph (9.5 km/h)
Gear 3	12.6 mph (20.3 km/h)	12.6 mph (20.3 km/h)
Gear 4	19.7 mph (32.7 km/h)	19.7 mph (32.7 km/h)
		<i>Reverse</i>
		3.9 mph (6.3 km/h)
		6.8 mph (10.9 km/h)
		14.5 mph (23.3 km/h)
		22.6 mph (36.4 km/h)
<b>FINAL DRIVES</b>	heavy-duty, inboard planetary final drives evenly distribute shock loads over three gears	
<b>BRAKES</b>	hydraulic wet disk, mounted inboard, pressure cooled and lubricated, self adjusting and self equalizing	
<b>CAPACITIES</b>		
Fuel tank (with ground level fueling)	34 gal. (129 L)	34 gal. (129 L)
Engine coolant	17 qt. (16 L)	17 qt. (16 L)
Engine oil including filter	9 qt. (8.5 L)	9 qt. (8.5 L)
Torque converter and reverser system	14 qt. (13 L)	14 qt. (13 L)
Hydraulic system	21 gal. (79 L)	21 gal. (79 L)
Transaxle with MFWD	5.5 gal. (21 L)	5.5 gal. (21 L)
<b>STEERING</b>	hydrostatic power steering conforms to SAE J1151, emergency steering to SAE J53	
Non-powered axle		
Curb turning radius with brakes	11 ft. 8 in. (3.55 m)	11 ft. 8 in. (3.55 m)
Without brakes	13 ft. 3 in. (4.04 m)	13 ft. 3 in. (4.04 m)
Bucket clearance circle with brakes	31 ft. 8 in. (9.64 m)	31 ft. 8 in. (9.64 m)
Without brakes	34 ft. 9 in. (10.60 m)	34 ft. 9 in. (10.60 m)
Steering wheel turns, stop to stop	2.2 to 2.9	2.2 to 2.9
Mechanical-front-wheel drive		
Curb turning radius with brakes	11 ft. 5 in. (3.49 m)	11 ft. 5 in. (3.49 m)
Without brakes	13 ft. 6 in. (4.11 m)	13 ft. 6 in. (4.11 m)
Bucket clearance circle with brakes	29 ft. 7 in. (9.02 m)	29 ft. 7 in. (9.02 m)
Without brakes	33 ft. 8 in. (10.26 m)	33 ft. 8 in. (10.26 m)
Steering wheel turns, stop to stop	2.5	2.5
Axle oscillation, stop to stop, both axles	22 degrees	22 degrees
Axle ratings	<i>Static</i>	<i>Dynamic</i>
Front	56,000 lb. (25 300 kg)	56,000 lb. (25 300 kg)
Rear	51,000 lb. (23 100 kg)	68,000 lb. (30 800 kg)
		<i>SAE J43</i>
		19,600 lb. (8800 kg)
		15,960 lb. (7200 kg)
		<i>Static</i>
		<i>Dynamic</i>
		<i>SAE J43</i>
		56,000 lb. (25 300 kg)
		56,000 lb. (25 300 kg)
		21,100 lb. (9500 kg)
		68,000 lb. (30 800 kg)
		16,800 lb. (7600 kg)
<b>HYDRAULIC SYSTEM</b>		
System	closed center	closed center
Pressure, main relief	2,755 psi (19 000 kPa)	2,755 psi (19 000 kPa)
Pump	radial pistons	radial pistons
Flow @ 2,200 rpm	35 gpm (133 L/min.)	35 gpm (133 L/min.)
Filter, return oil	10-micron, spin-on vertical replaceable element	10-micron, spin-on vertical replaceable element
<b>CYLINDERS</b>	<i>Bore</i>	<i>Stroke</i>
Loader boom (2)	3.54 in. (90 mm)	29.84 in. (758 mm)
Loader bucket (1)	3.54 in. (90 mm)	28.19 in. (718 mm)
Backhoe boom (1)	4.53 in. (115 mm)	38.54 in. (979 mm)
Backhoe crowd (1)	3.94 in. (100 mm)	32.24 in. (819 mm)
Backhoe bucket (1)	3.54 in. (90 mm)	31.00 in. (788 mm)
Backhoe swing (2)	3.94 in. (100 mm)	9.49 in. (241 mm)
Backhoe extendable dipper (1)	3.15 in. (80 mm)	48.00 in. (1200 mm)
Backhoe stabilizer (2)	3.94 in. (100 mm)	19.96 in. (507 mm)
Steering (1) non-powered axle	1.97 in. (50 mm)	9.49 in. (241 mm)
Steering (1) MFWD	2.36 in. (60 mm)	7.90 in. (202 mm)
		<i>Rod</i>
		1.77 in. (45 mm)
		1.77 in. (45 mm)
		2.48 in. (63 mm)
		2.20 in. (56 mm)
		1.97 in. (50 mm)
		1.97 in. (50 mm)
		1.77 in. (45 mm)
		1.97 in. (50 mm)
		1.97 in. (50 mm)
		0.98 in. (25 mm)
		0.98 in. (25 mm)
		2.50 in. (64 mm)
		2.48 in. (63 mm)
		2.48 in. (63 mm)
		1.97 in. (50 mm)
		1.97 in. (50 mm)
		1.97 in. (50 mm)
		0.98 in. (25 mm)
		0.98 in. (25 mm)
410D heavy-lift option		
Backhoe boom	5.00 in. (127 mm)	42.72 in. (1085 mm)
Backhoe crowd (1)	4.53 in. (115 mm)	34.57 in. (878 mm)
Backhoe extendable dipper (1)	3.15 in. (80 mm)	59.21 in. (1504 mm)

TIRES	410D		510D	
	Rear	Front	Rear	Front
With non-powered front axle.....	19.5L-24, 10 PR R4 21L-24, 10 PR R4	11L-16, 12 PR F3 14.5/75-16.1, 10 PR F3	19.5L-24, 10 PR R4 21L-24, 10 PR R4 19.5L-24, 12 PR R4	11L-16, 12 PR F3 14.5/75-16.1, 10 PR F3 11L-16, 12 PR F3
With mechanical-front-wheel drive.....	21L-24, 10 PR R4 18.4-28, 12 PR R4 19.5-24, 10 PR R4	12.00-16.5, 8 PR, lug tread 14-17.5, 10 PR 12.00-16.5, 8 PR	21L-24, 10 PR R4 18.4-28L, 12 PR R4 19.5L-24, 12 PR R4	12.00-16.5, 8 PR, Sure Grip 14.00-17.5, 10 PR, Sure Grip 12.00-16.5, 8 PR, Sure Grip

**SAE OPERATING WEIGHTS**

Standard .....	15,600 lb. (7075 kg)	16,000 lb. (7260 kg)
Cab adds .....	500 lb. (227 kg)	500 lb. (227 kg)
Mechanical-front-wheel drive adds .....	190 lb. (86 kg)	190 lb. (86 kg)
Standard extendable dipperstick.....	4 ft. (1.22 m)	5 ft. (1.52 m)
Excluding required counterweight adds .....	350 lb. (158 kg)	589 lb. (267 kg)
Optional front counterweight(s) add(s).....	1,050 lb. (476 kg)	700 lb. (317 kg)
Backhoe bucket coupler adds .....	200 lb. (91 kg)	200 lb. (91 kg)
410D heavy-lift option .....	16,250 lb. (7371 kg)	
5 ft. (1.52 m) extendable dipperstick		
Excluding required counterweight adds .....	589 lb. (267 kg)	

See backhoe and loader performance data for bucket weights.

**LOADER BUCKETS**

	Width	Heaped Capacity	Weight	Width	Heaped Capacity	Weight
Heavy-duty long lip*.....	86 in. (2184 mm) 92 in. (2340 mm)	1.12 cu. yd. (0.86 m <sup>3</sup> ) 1.42 cu. yd. (1.09 m <sup>3</sup> )	918 lb. (417 kg) 965 lb. (438 kg)	92 in. (2340 mm)	1.42 cu. yd. (1.09 m <sup>3</sup> ) 1.62 cu. yd. (1.24 m <sup>3</sup> )	965 lb. (438 kg) 1,160 lb. (527 kg)
General-purpose long lip.....	89 in. (2270 mm)	1.25 cu. yd. (0.96 m <sup>3</sup> )	775 lb. (351 kg)	89 in. (2270 mm)	1.25 cu. yd. (0.96 m <sup>3</sup> )	750 lb. (340 kg)
Multipurpose.....	92 in. (2340 mm)	1.25 cu. yd. (0.96 m <sup>3</sup> )	1,560 lb. (708 kg)	92 in. (2340 mm)	1.25 cu. yd. (0.96 m <sup>3</sup> )	1,560 lb. (708 kg)

\*With auxiliary cutting edge and skid shoes standard.

NOTE: All other buckets pre-drilled for auxiliary cutting edge.

**BACKHOE PERFORMANCE**

	410D		510D	
	With Standard Dipperstick*	With Heavy-Lift Package**	With Standard 4 Ft. (1.22 m) Extendable Dipperstick* Retracted	With Standard Dipperstick** Extended
Digging force, bucket cylinder (power dig position) .....	11,700 lb. (52 kN)	11,120 lb. (49.5 kN)	11,700 lb. (52 kN)	11,100 lb. (49.5 kN)
Digging force, crowd cylinder .....	6,450 lb. (29 kN)	8,100 lb. (36 kN)	7,000 lb. (31 kN)	4,770 lb. (21 kN)
Swing arc.....	180 degrees	180 degrees	180 degrees	180 degrees
Operator control .....	two levers	two levers	right foot treadle	right foot treadle
Bucket positions (rollback) .....	9 or 18 degrees	8 or 17 degrees	8 or 17 degrees	12 or 22 degrees
Stabilizer angle rearward.....	14.5 degrees	14.5 degrees	14.5 degrees	14.5 degrees
Lifting capacity, maximum .....	4,802 lb. (2183 kg)	6,746 lb. (3066 kg)	4,995 lb. (2270 kg)	3,040 lb. (1382 kg)
Leveling angle.....	13 degrees	13 degrees	13 degrees	13 degrees

\*Backhoe specifications are with 24 in. x 7.5 cu. ft. (610 mm x 0.21 m<sup>3</sup>) bucket.

\*\*Backhoe specifications are with 24 in. x 8.8 cu. ft. (610 mm x 0.25 m<sup>3</sup>) bucket.

	410D		510D	
	With Heavy Lift 5 Ft. (1.52 m) Extendable Dipperstick** Retracted	Extended	With 5 Ft. (1.52 m) Extendable Dipperstick** Retracted	Extended
Digging force, bucket cylinder (power dig position) .....	11,000 lb. (48.9 kN)	11,000 lb. (48.9 kN)	11,230 lb. (49.9 kN)	11,230 lb. (49.9 kN)
Digging force, crowd cylinder .....	8,100 lb. (36 kN)	5,430 lb. (24 kN)	8,390 lb. (37 kN)	5,430 lb. (24.2 kN)
Swing arc.....	180 degrees	180 degrees	180 degrees	180 degrees
Operator control .....	right foot treadle	right foot treadle	right foot treadle	right foot treadle
Bucket positions (rollback) .....	8 or 18 degrees	12 or 21 degrees	8 or 18 degrees	12 or 21 degrees
Stabilizer angle rearward.....	14.5 degrees	14.5 degrees	14.5 degrees	14.5 degrees
Lifting capacity, maximum .....	6,441 lb. (1781 kg)	3,288 lb. (1495 kg)	7,232 lb. (3279 kg)	3,616 lb. (1639 kg)
Leveling angle.....	13 degrees	13 degrees	13 degrees	13 degrees

\*\*Backhoe specifications are with 24 in. x 8.8 cu. ft. (610 mm x 0.25 m<sup>3</sup>) bucket.

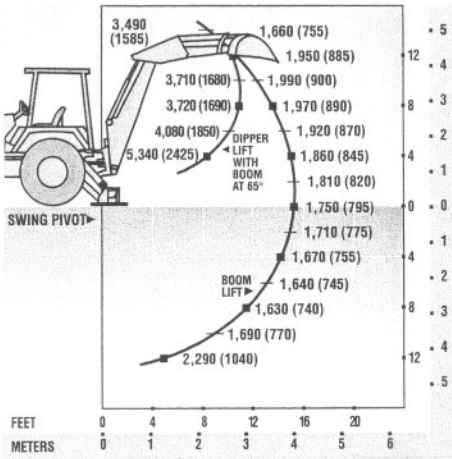
**BACKHOE BUCKETS FOR 410D AND 510D**

	Width	Capacity	Weight		Width	Capacity	Weight
Standard duty.....	12 in. (305 mm)	2.5 cu. ft. (0.07 m <sup>3</sup> )	244 lb. (111 kg)	Heavy duty.....	12 in. (305 mm)	2.5 cu. ft. (0.07 m <sup>3</sup> )	258 lb. (117 kg)
	18 in. (457 mm)	5.1 cu. ft. (0.14 m <sup>3</sup> )	322 lb. (146 kg)		18 in. (457 mm)	5.1 cu. ft. (0.14 m <sup>3</sup> )	334 lb. (151 kg)
	24 in. (610 mm)	7.5 cu. ft. (0.21 m <sup>3</sup> )	370 lb. (168 kg)		24 in. (610 mm)	7.5 cu. ft. (0.21 m <sup>3</sup> )	396 lb. (180 kg)
	30 in. (762 mm)	10.0 cu. ft. (0.28 m <sup>3</sup> )	410 lb. (186 kg)		24 in. (610 mm)	8.8 cu. ft. (0.25 m <sup>3</sup> )	476 lb. (216 kg)
	36 in. (914 mm)	10.0 cu. ft. (0.28 m <sup>3</sup> )	430 lb. (195 kg)		30 in. (762 mm)	10.0 cu. ft. (0.28 m <sup>3</sup> )	444 lb. (201 kg)
	36 in. (914 mm)	14.5 cu. ft. (0.41 m <sup>3</sup> )	556 lb. (252 kg)		36 in. (914 mm)	10.0 cu. ft. (0.28 m <sup>3</sup> )	470 lb. (214 kg)
Extra heavy duty.....	18 in. (457 mm)	5.1 cu. ft. (0.14 m <sup>3</sup> )	362 lb. (164 kg)	Ditch cleaning .....	36 in. (914 mm)	10.0 cu. ft. (0.28 m <sup>3</sup> )	370 lb. (168 kg)
	24 in. (610 mm)	7.5 cu. ft. (0.21 m <sup>3</sup> )	424 lb. (192 kg)		36 in. (914 mm)	14.5 cu. ft. (0.41 m <sup>3</sup> )	500 lb. (235 kg)
	30 in. (762 mm)	10.0 cu. ft. (0.28 m <sup>3</sup> )	474 lb. (215 kg)				

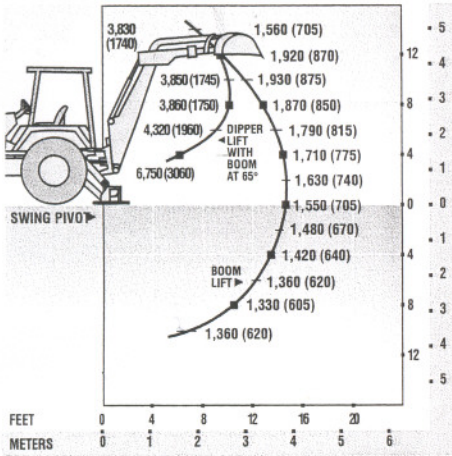
# LIFT CAPACITIES \* / DIMENSIONS

\*Based on SAE J31. Rated lift capacities are in lb. (kg). Maximum lift capacities may be stability and/or hydraulically limited.

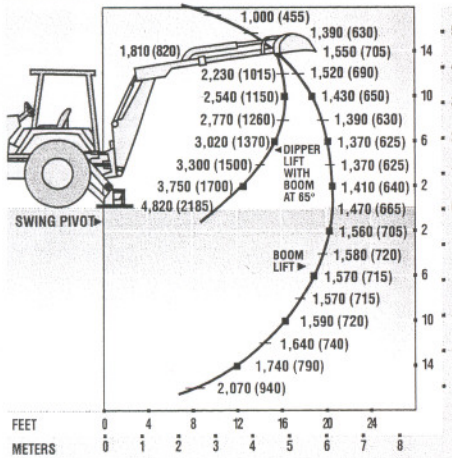
410D BACKHOE WITH STANDARD DIPPERSTICK



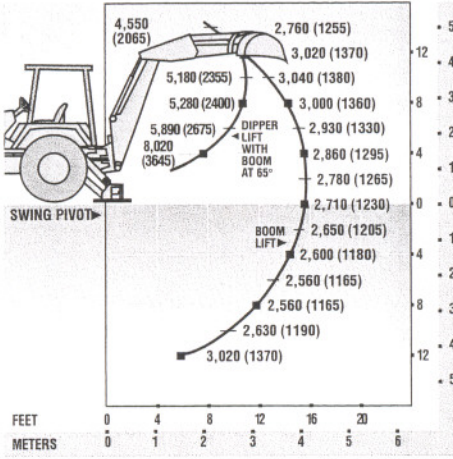
410D BACKHOE WITH 4 FT. (1.22 M) DIPPERSTICK, RETRACTED



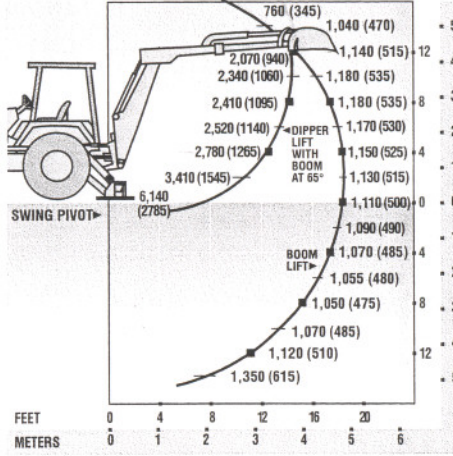
410D HEAVY-LIFT PACKAGE/510D BACKHOE WITH 5 FT. (1.52 M) DIPPERSTICK, EXTENDED\*



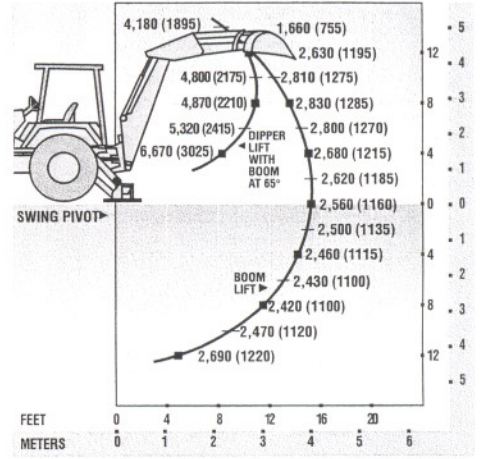
410D BACKHOE WITH OPTIONAL HEAVY-LIFT PACKAGE



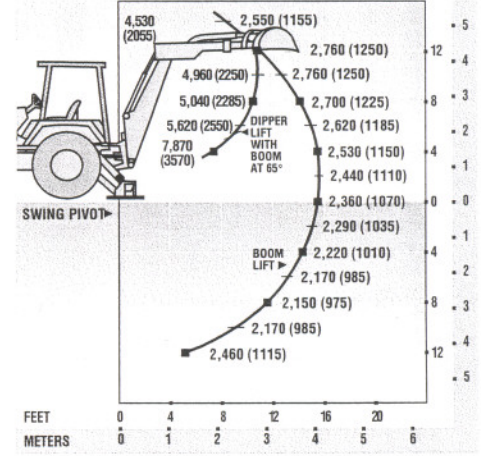
410D BACKHOE WITH 4 FT. (1.22 M) DIPPERSTICK, EXTENDED



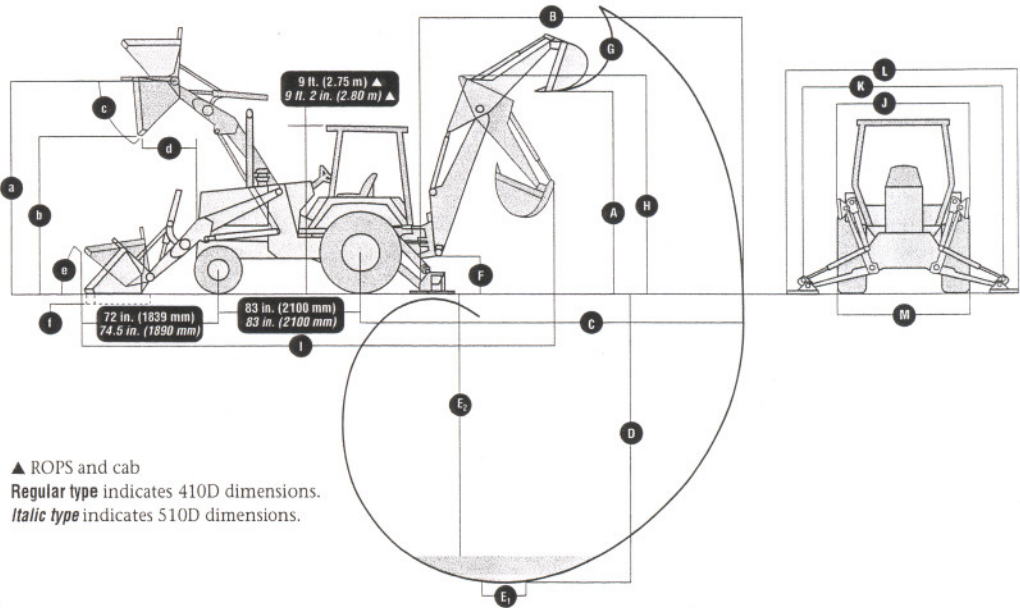
510D BACKHOE WITH STANDARD DIPPERSTICK



410D HEAVY-LIFT PACKAGE/510D BACKHOE WITH 5 FT. (1.52 M) DIPPERSTICK, RETRACTED\*



## DIMENSIONS (SEE PAGE 19.)



▲ ROPS and cab  
**Regular type** indicates 410D dimensions.  
*Italic type* indicates 510D dimensions.

BACKHOE	410D	410D	410D	510D
	With Standard Dipperstick*	With Heavy-Lift Package**	With Standard 4 Ft. (1.22 m) Extendable Dipperstick* Retracted      Extended	With Standard Dipperstick**
<b>A</b> Loading height, truck loading position.....	12 ft. 3 in. (3.72 m)	12 ft. 2 in. (3.70 m)	11 ft. 9 in. (3.59 m)	12 ft. 7 in. (3.84 m)
<b>B</b> Reach from center of swing mast .....	18 ft. 4 in. (5.59 m)	19 ft. 3 in. (5.87 m)	17 ft. 8 in. (5.40 m)	19 ft. 11 in. (6.07 m)
<b>C</b> Reach from center of rear axle.....	22 ft. 1 in. (6.73 m)	23 ft. (7.01 m)	21 ft. 5 in. (6.53 m)	23 ft. 8 in. (7.21 m)
<b>D</b> Maximum digging depth.....	15 ft. 3 in. (4.66 m)	15 ft. 10 in. (4.84 m)	14 ft. 7 in. (4.45 m)	16 ft. 8 in. (5.07 m)
<b>E</b> Digging depth (SAE):				
(1) 2-ft. (610 mm) flat bottom.....	15 ft. 2 in. (4.61 m)	15 ft. 9 in. (4.80 m)	14 ft. 5 in. (4.40 m)	16 ft. 6 in. (5.03 m)
(2) 8-ft. (2440 mm) flat bottom.....	14 ft. 1 in. (4.30 m)	14 ft. 9 in. (4.49 m)	13 ft. 4 in. (4.07 m)	15 ft. 7 in. (4.74 m)
<b>F</b> Ground clearance, minimum .....	12 in. (305 mm)	13 in. (330 mm)	12 in. (305 mm)	13 in. (330 mm)
<b>G</b> Bucket rotation .....	160 or 180 degrees	160 or 180 degrees	160 or 180 degrees	160 or 180 degrees
<b>H</b> Transport height .....	11 ft. 10 in. (3.61 m)	12 ft. 4 in. (4.51 m)	12 ft. 4 in. (3.78 m)	12 ft. 4 in. (4.51 m)
<b>I</b> Overall length, transport .....	23 ft. 5 in. (7.14 m)	22 ft. 11 in. (6.99 m)	23 ft. (7.01 m)	23 ft. 4 in. (7.11 m)
<b>J</b> Stabilizer width – transport .....	7 ft. 8 in. (2.34 m)	7 ft. 8 in. (2.34 m)	7 ft. 8 in. (2.34 m)	7 ft. 8 in. (2.34 m)
<b>K</b> Stabilizer spread – operating.....	9 ft. 10 in. (3.00 m)	9 ft. 10 in. (3.00 m)	9 ft. 10 in. (3.00 m)	9 ft. 10 in. (3.00 m)
<b>L</b> Stabilizer overall width – operating.....	11 ft. 4 in. (3.45 m)	11 ft. 4 in. (3.45 m)	11 ft. 4 in. (3.45 m)	11 ft. 4 in. (3.45 m)
<b>M</b> Width over tires .....	86 in. (2.62 m)	86 in. (2.62 m)	86 in. (2.62 m)	86 in. (2.62 m)

BACKHOE	410D	510D
	With Heavy-Lift 5 Ft. (1.52 m) Extendable Dipperstick** Retracted      Extended	With 5 Ft. (1.52 m) Extendable Dipperstick** Retracted      Extended
<b>A</b> Loading height, truck loading position.....	12 ft. 1 in. (3.69 m)	15 ft. (4.58 m)
<b>B</b> Reach from center of swing mast .....	19 ft. 3 in. (5.87 m)	23 ft. 11 in. (7.29 m)
<b>C</b> Reach from center of rear axle.....	23 ft. (7.01 m)	27 ft. 8 in. (8.43 m)
<b>D</b> Maximum digging depth.....	15 ft. 11 in. (4.86 m)	20 ft. 10 in. (6.34 m)
<b>E</b> Digging depth (SAE):		
(1) 2-ft. (610 mm) flat bottom.....	15 ft. 10 in. (4.82 m)	20 ft. 8 in. (6.30 m)
(2) 8-ft. (2440 mm) flat bottom.....	14 ft. 10 in. (4.51 m)	20 ft. (6.09 m)
<b>F</b> Ground clearance, minimum .....	13 in. (330 mm)	13 in. (330 mm)
<b>G</b> Bucket rotation .....	160 or 180 degrees	160 or 180 degrees
<b>H</b> Transport height .....	13 ft. 5 in. (4.90 m)	13 ft. 5 in. (4.90 m)
<b>I</b> Overall length, transport .....	23 ft. (7.01 m)	23 ft. (7.01 m)
<b>J</b> Stabilizer width – transport .....	7 ft. 8 in. (2.34 m)	7 ft. 8 in. (2.34 m)
<b>K</b> Stabilizer spread – operating.....	9 ft. 10 in. (3.00 m)	9 ft. 10 in. (3.00 m)
<b>L</b> Stabilizer overall width – operating.....	11 ft. 4 in. (3.45 m)	11 ft. 4 in. (3.45 m)
<b>M</b> Width over tires .....	86 in. (2.62 m)	86 in. (2.62 m)

\*Backhoe specifications are with 24 in. x 7.5 cu. ft. (610 mm x 0.21 m<sup>3</sup>) bucket.  
\*\*Backhoe specifications are with 24 in. x 8.8 cu. ft. (610 mm x 0.25 m<sup>3</sup>) bucket.

**410D LOADER PERFORMANCE WITH BUCKET OPTIONS**

	1.12 cu. yd. (0.86 m <sup>3</sup> ) Heavy-Duty Long-Lip	1.25 cu. yd. (0.96 m <sup>3</sup> ) General-Purpose Long-Lip	1.42 cu. yd. (1.09 m <sup>3</sup> ) Heavy-Duty Long-Lip	1.25 cu. yd. (0.96 m <sup>3</sup> ) Multipurpose
Operator control .....	single lever	single lever	single lever	dual lever
Breakout force .....	10,000 lb. (45.0 kN)	9,500 lb. (42.0 kN)	9,900 lb. (44.0 kN)	9,700 lb. (43.1 kN)
Lifting capacity, full height .....	7,116 lb. (3228 kg)	6,900 lb. (3130 kg)	7,200 lb. (3265 kg)	7,000 lb. (3170 kg)
<b>a</b> Height to bucket hinge pin, maximum.....	11 ft. 1 in. (3.38 m)	11 ft. 1 in. (3.38 m)	11 ft. 1 in. (3.38 m)	11 ft. 1 in. (3.38 m)
<b>b</b> Dump clearance, bucket at 45 degrees .....	9 ft. (2.74 m)	8 ft. 5 in. (2.58 m)	8 ft. 9 in. (2.67 m)	8 ft. 7 in. (2.63 m)
<b>c</b> Bucket dump angle, maximum .....	43 degrees	43 degrees	43 degrees	43 degrees
<b>d</b> Reach at full height, bucket at 45 degrees .....	29.1 in. (739 mm)	34 in. (868 mm)	29.8 in. (758 mm)	31 in. (787 mm)
<b>e</b> Rollback angle at ground level .....	40 degrees	40 degrees	40 degrees	40 degrees
<b>f</b> Digging depth below ground, bucket level .....	4.2 in. (107 mm)	3.5 in. (88 mm)	4.2 in. (107 mm)	5.0 in. (125 mm)
Raising time to full height .....	4.5 sec.	4.5 sec.	4.5 sec.	4.5 sec.
Bucket dump time.....	1.0 sec.	1.0 sec.	1.0 sec.	1.0 sec.
Bucket lowering time (power down) .....	3.0 sec.	3.0 sec.	3.0 sec.	3.0 sec.

**510D LOADER PERFORMANCE WITH BUCKET OPTIONS**

	1.42 cu. yd. (1.09 m <sup>3</sup> ) Heavy-Duty Long-Lip	1.25 cu. yd. (0.96 m <sup>3</sup> ) General-Purpose Long-Lip	1.62 cu. yd. (1.24 m <sup>3</sup> ) Heavy-Duty Long-Lip	1.25 cu. yd. (0.96 m <sup>3</sup> ) Multipurpose
Operator control .....	single lever	single lever	single lever	single lever
Breakout force .....	10,410 lb. (46.3 kN)	9,900 lb. (44.0 kN)	9,900 lb. (44.0 kN)	9,700 lb. (43.1 kN)
Lifting capacity, full height .....	7,300 lb. (3310 kg)	7,050 lb. (3195 kg)	7,050 lb. (3195 kg)	7,000 lb. (3170 kg)
<b>a</b> Height to bucket hinge pin, maximum.....	11 ft. 1 in. (3.38 m)	11 ft. 1 in. (3.38 m)	11 ft. 1 in. (3.38 m)	11 ft. 1 in. (3.38 m)
<b>b</b> Dump clearance, bucket at 45 degrees .....	8 ft. 9 in. (2.67 m)	8 ft. 5 in. (2.58 m)	8 ft. 7 in. (2.63 m)	8 ft. 7 in. (2.63 m)
<b>c</b> Bucket dump angle, maximum .....	45 degrees	45 degrees	45 degrees	45 degrees
<b>d</b> Reach at full height, bucket at 45 degrees .....	29.1 in. (739 mm)	34 in. (868 mm)	31 in. (787 mm)	28.5 in. (724 mm)
<b>e</b> Rollback angle at ground level .....	40 degrees	40 degrees	40 degrees	40 degrees
<b>f</b> Digging depth below ground, bucket level .....	4.0 in. (100 mm)	4.0 in. (100 mm)	4.0 in. (100 mm)	5.0 in. (125 mm)
Raising time to full height .....	4.4 sec.	4.4 sec.	4.4 sec.	4.4 sec.
Bucket dump time.....	1.0 sec.	1.0 sec.	1.0 sec.	1.0 sec.
Bucket lowering time (power down) .....	3.0 sec.	3.0 sec.	3.0 sec.	3.0 sec.