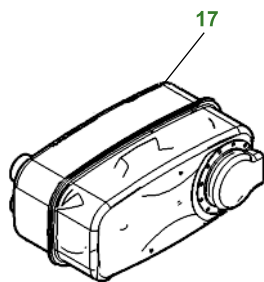
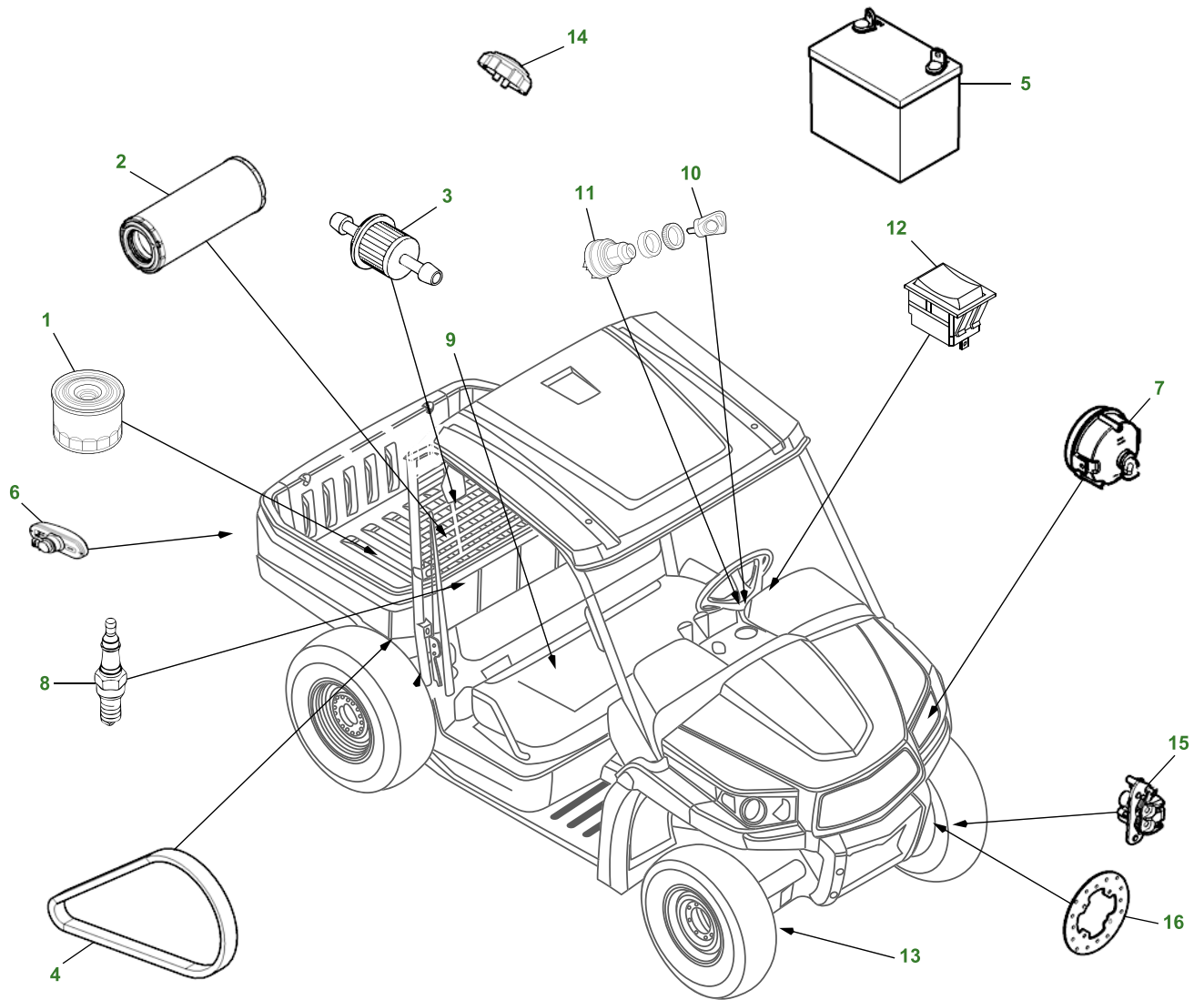


# XUV560E / XUV560E S4 (Green & Yellow)



## XUV560E / XUV560E S4 (Green &amp; Yellow)

Key	Part No.	Description	Key	Part No.	Description
1	<a href="#">AM125424</a>	OIL FILTER	15	<a href="#">AM148331</a>	DISK BRAKE CALIPER ASSY - R FRONT (S/N -020000)
2	<a href="#">M170281</a>	AIR FILTER ELEMENT		<a href="#">AM148330</a>	DISK BRAKE CALIPER ASSY - L FRONT (S/N -020000)
3	<a href="#">UC10277</a>	FUEL FILTER - IN LINE		<a href="#">AM148752</a>	DISK BRAKE CALIPER ASSY - R FRONT (S/N 020001-)
4	<a href="#">M176720</a>	BELT - CVT INLET		<a href="#">AM148751</a>	DISK BRAKE CALIPER ASSY - L FRONT (S/N 020001-)
5	<a href="#">TY25221</a>	BATTERY		<a href="#">AM148332</a>	DISK BRAKE CALIPER ASSY - R REAR (S/N -020000)
6	<a href="#">AM140754</a>	STOP LIGHT		<a href="#">AM148333</a>	DISK BRAKE CALIPER ASSY - L REAR (S/N -020000)
7	<a href="#">AM141893</a>	HEADLIGHT		<a href="#">AM148753</a>	DISK BRAKE CALIPER ASSY - R REAR (S/N 020001-)
8	<a href="#">MIU13325</a>	SPARK PLUG		<a href="#">AM148754</a>	DISK BRAKE CALIPER ASSY - L REAR (S/N 020000-)
9	<a href="#">AM147576</a>	SEAT BACK - YELLOW		<a href="#">AM148144</a>	BRAKE KIT - FRONT PAD(S/N -020000)
	<a href="#">AM147575</a>	SEAT BENCH - YELLOW		<a href="#">AM148755</a>	BRAKE KIT - FRONT PAD (S/N 020001-)
10	<a href="#">AUC12681</a>	KEY		<a href="#">AM148145</a>	BRAKE KIT - REAR PAD (S/N -020000)
11	<a href="#">AUC12631</a>	IGNITION SWITCH		<a href="#">AM148756</a>	BRAKE KIT - FRONT PAD (S/N 020001-)
12	<a href="#">AM147340</a>	ROCKER SWITCH - HEADLIGHT	16	<a href="#">M166762</a>	ROTOR
	<a href="#">AM116712</a>	ROCKER SWITCH - POWER LIFT DUMP	17	<a href="#">AM141174</a>	SPARK ARRESTING MUFFLER
13	<a href="#">M178227</a>	TIRE - FRONT — 25 X 8-12 in	18	<a href="#">LG273</a>	HOME MAINTENANCE KIT
	<a href="#">M178228</a>	TIRE - REAR - TH — 25 X 10-12 in			
14	<a href="#">AM142833</a>	FILLER CAP			

## Parts Needed in First 250 Hours of Operation

Qty	Part No.	Item	Capacity	Interval In Hours
3	<a href="#">AM125424</a>	Engine Oil Filter		8/100/200
5	<a href="#">TY22029</a>	JD Turf-Gard™ 10W30 Engine Oil	1.42 L (1.5 qt)	8/100/200
1	<a href="#">M170281</a>	Air Filter		200
1	<a href="#">UC10277</a>	Fuel Filter		200
2	<a href="#">MIU13325</a>	Spark Plugs		200
3	<a href="#">TY24416</a>	John Deere Multi-Purpose HD Lithium Complex Grease		As Needed

## Capacities

Engine Oil Capacity (with filter change)	1.42 L (1.5 qt)
4WD Front Differential	0.4 L (0.42 qt)
Transaxle	2.6 L (2.75 qt)
TY26183	Grease Gun