

1470G WHEELED HARVESTER



JOHN DEERE



TOUGH CONDITIONS CALL FOR STRONG SOLUTIONS.

Your work puts you through some pretty harsh paces. And because you live it every day, we listen when customers like you tell us what they need to make it work in the woods. With components purpose-built to withstand the toughest environments and applications, the 1470G Wheeled Harvester includes a wealth of forestry-proven features designed to make your toughest jobs easier. Intelligent Boom Control, rotating cab with expansive visibility, and a compact six-wheel configuration are just some of the solutions that can power things up for your operation.

Smart and steady

Operators can choose a driving mode to match the conditions. Select **Normal** mode for everyday operation or **Power** mode in high-load situations. For lighter demands, **Economy** mode reduces engine speed and noise while improving fuel efficiency.

Smooth operator

For ultimate harvesting productivity, choose the stable and smooth 1470G Wheeled Harvester. Equipped with its CH9 rigid boom that delivers precise control, the 1470G is perfect for tackling large timber and extreme conditions.

It's easy to see

Standard RENCRAFT® Super Hard Coat polycarbonate windows are scratch resistant, easy to clean, and optically enhanced. These windows fulfill ISO 21876 standard for saw-chain shot protection. Plus, with almost 50-percent-thicker material than previous windows, the cab is better insulated and quieter, too.

Do your level best

Rotating and smooth-leveling cab turns 160 degrees to provide 360-degree visibility of surroundings and boom movements. Auto-leveling cab keeps the operator balanced and comfortable in steep and uneven terrain.

Far from the daily grind

Grouped checkpoints and optional central lubrication system speed daily checks and greasing. Hydraulic-driven variable-speed fan runs only as needed, reducing fuel consumption and debris flow through the cooler cores. It's programmable to reverse at periodic intervals to clear core-clogging buildup.

Durable diesel

High-performance EPA Final Tier 4 (FT4)/EU Stage V John Deere PowerTech™ Plus engine maintains productivity while minimizing total fluid consumption — diesel fuel plus diesel exhaust fluid.



TAKE CONTROL WITH IBC

Boost productivity from the get-go

Optional Intelligent Boom Control (IBC) smoothes boom operations, making them more precise and efficient, to increase operator productivity compared to a 1470G without IBC.

Nice and precise

IBC improves the precision of attachment positioning, especially at extended reaches. Joystick movements deliver consistently smooth boom speed, no matter how far the boom is extended.

Effortless control

With IBC, operators no longer need to control each independent boom function separately. Just control the attachment position, and IBC automatically guides the boom and cylinders accordingly. IBC also automatically controls swing speed based on the overall position of the attachment.

Choose how you work

IBC is easily configurable to user preference, so operators can adapt their motions to the application. The IBC control pattern that works best for each operator can also be selected, further enhancing personal ease of use. Individual user settings can be saved in separate profiles, to accommodate multiple skill and experience levels.



**IBC ENABLES *PRECISE*
BOOM MOVEMENTS**

1470G WHEELED HARVESTER



PUT TECHNOLOGY TO WORK IN THE WOODS AND AT THE OFFICE.

Coordinate your operation and your team's productivity from wherever your work takes you with John Deere Precision Forestry and our core technology solutions.

FEATURES

Core intelligence

Your John Deere Forestry machine arrives from the factory equipped with a powerful set of technologies and capabilities already built in. Each plays an important role in managing the health and performance of your overall equipment fleet:

- **JDLink™ connectivity and the John Deere Operations Center™** let you track your equipment, see which machines are working, and know if they're being utilized properly and at maximum productivity and efficiency.
- **John Deere Connected Support** leverages a suite of dealer and factory tools designed to deliver increased uptime and productivity, and lower daily operating costs.
- **Remote Diagnostics and Programming Capability** within John Deere Connected Support helps your dealer warn you of any issue with your machine — often before you know of the problem yourself — and initiate solutions without charging you for a technician's visit to your jobsite.
- Our advanced dual approach to **Machine Health** combines the expertise of the technology specialists at our dealerships with the data specialists at our central Machine Health Monitoring Center (MHMC). As part of John Deere Connected Support, information from thousands of connected machines flows through the MHMC, enabling our specialists to identify trends and develop new and improved preventative-maintenance and repair protocols.

Precision Forestry

Take the guesswork out of planning, implementing, and monitoring your logging operation. The tools of our production-planning and -tracking system expand on the core technology features that come standard in every John Deere Forestry machine to unleash a powerful new array of possibilities:

- **TimberMatic™ Maps** is an innovative onboard software solution that helps you reimagine your jobsites. Real-time production views and shared wireless connections between machines make it easier than ever before to take your forestry operation to the next level.
- **TimberManager™** is a web-based solution for PCs, tablets, and mobile phones that allows you to follow jobsite progress. Combined with TimberMatic Maps, this software provides complete visibility of your operation — from land harvested to specific machines — so you can streamline communication, analyze tasks, and increase productivity:
- **Remote Monitoring** keeps tabs on the health and performance of your fleet from wherever you are.
- **Precise Progress Tracking** lets you set goals for your team to meet throughout the day.
- **Live Production View** displays production progress by assortment, timber volume harvested, and volume transported to roadside storage.
- **Simplified Mapping** of machine data and GPS-based location tracking shows production by assortment.
- **Real-Time Updates** let you adjust course or eliminate tasks if needed to maintain steady workflow.
- **Fleet Optimization** goes beyond machine management to help improve the efficiency of your business.



**JOHN DEERE
CONNECTED
SUPPORT™**

CONNECTS YOUR
OPERATION TO DEALER
& FACTORY EXPERTISE

1470G WHEELED HARVESTER SPECIFICATIONS

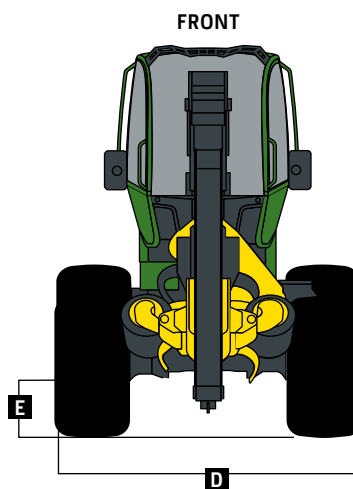
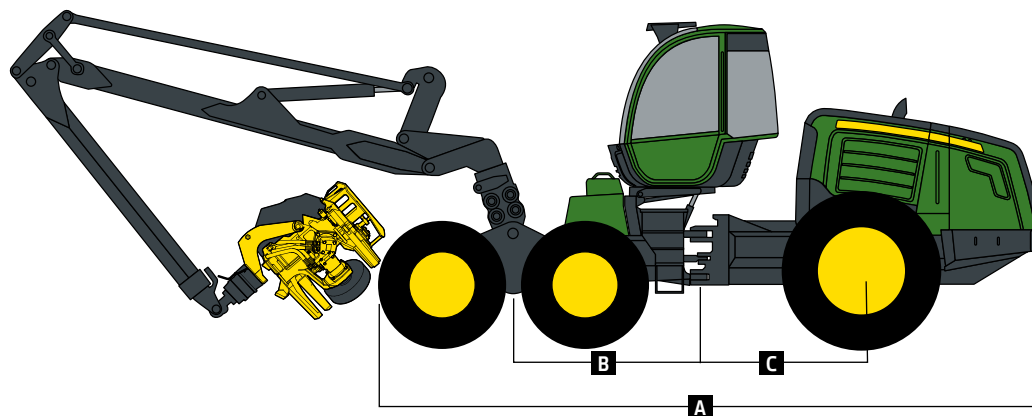
Engine		
Manufacturer / Model	John Deere PowerTech™ Plus 6090	John Deere PowerTech Plus 6090
Non-Road Emission Standards	EPA Final Tier 4/EU Stage V	EPA Tier 3/EU Stage IIIA / EPA Tier 2/EU Stage II
Maximum Power	200 kW (268 hp) at 1,600–2,000 rpm	190 kW (255 hp) at 1,600–2,000 rpm
Maximum Torque	1315 Nm (970 ft.-lb.) at 1,200–1,400 rpm	1250 Nm (922 ft.-lb.) at 1,200–1,400 rpm
Fuel Tank Capacity	450 L (119 gal.)	450 L (119 gal.)
Diesel Exhaust Fluid (DEF) Tank Capacity		
Total	23 L (6 gal.)	N/A
Usable	14.5 L (3.8 gal.)	N/A
Transmission		
Hydrostatic-mechanical, 2-speed gearbox		
Tractive Force	200 kN (44,960 lb.)	
Travel Speed		
Gear 1	0–7.5 km/h (0–4.3 mph)	
Gear 2	0–22 km/h (0–13.7 mph)	
Steering/Brakes		
Proportional frame steering with mini lever		
Turning Angle	±44 deg.	
Brakes	Hydraulically actuated, oil-immersed, multi-disc service and working brakes	
Parking/Emergency	Spring actuated	
Frame Oscillation	Automated	
Axles/Bogies		
Axles		
Front	Balanced bogie axles	
Rear	Rigid axle	
Electrical		
Voltage	24 volts	
Batteries	2 x 154 Ah	
Alternator	150 amps (28 volts)	
Lights	LED	
Hydraulics		
Load-sensing, power-adjustable, double-pump system		
Pump Capacities	210 cm ³ (13 cu. in.) and 180 cm ³ (11 cu. in.)	
Maximum Operating Pressure	28 MPa (4,060 psi)	
Hydraulic Tank	300 L (79 gal.)	
Boom		
Type	CH9	
Maximum Reach Lengths (head included)	8.6 m (28.2 ft.) / 10.0 m (32.8 ft.) / 11.0 m (36.1 ft.)	
Gross Lifting Torque	225 kNm (166,000 ft.-lb.)	
Slewing Torque	59 kNm (44,000 ft.-lb.)	
Slewing Angle	220 deg.	
Tilt Angle, Forward / Back	+28 / –18 deg.	
Cabin		
Leveling and rotating, or fixed cabin		
Rotating Angle	160 deg.	
Sideways Tilt	17 deg.	
Forward and Backward Tilt	9 deg.	
Measuring and Control System		
Type	PC / Windows® 10-based TimberMatic™ H-16	
Harvester Heads		
Attachments	H270 Series II, H215E, H219, H425, H425HD, and H480C	

While general information, pictures, and descriptions are provided, some illustrations and text may include product options and accessories NOT AVAILABLE in all regions, and in some countries products and accessories may require modifications or additions to ensure compliance with the local regulations of those countries.

Dimensions*		1470G
A	Length	7944 mm (26.06 ft.)
B	Front Axle – Middle Joint	2250 mm (7.38 ft.)
C	Rear Axle – Middle Joint	2020 mm (6.63 ft.)
B + C	Wheelbase	4270 mm (14.01 ft.)
	Tires	
	Front	26.5–20
	Rear	34–16
D	Width	
	650-Series Tires	Min. 2990 mm (9.81 ft.)
	750-Series Tires	Min. 2990 mm (9.81 ft.)
	Outer Turning Radius – 710-Series Tires / 750-Series Tires	6932 mm (22.74 ft.) / 6930 mm (22.74 ft.)
	Inner Turning Radius – 710-Series Tires / 750-Series Tires	3693 mm (12.12 ft.) / 3690 mm (12.11 ft.)
	Transport Height	3910 mm (12.82 ft.)
	Transport Length	12 280 mm (40.28 ft.)
E	Ground Clearance	754 mm (29.7 in.)
	Minimum Machine Weight With/ Harvester Head	22 900 kg (50,486 lb.)

*Dimensions are guidelines only and may vary depending on production tolerances.

1470G Wheeled Harvester



While general information, pictures, and descriptions are provided, some illustrations and text may include product options and accessories NOT AVAILABLE in all regions, and in some countries products and accessories may require modifications or additions to ensure compliance with the local regulations of those countries.



MWH1470GF (23-09)

Contact us to learn more.

JohnDeere.com/WheeledHarvesters
JohnDeere.ca/WheeledHarvesters



JOHN DEERE