

859M TRACKED FELLER BUNCHER



JOHN DEERE



A yellow tracked feller buncher is shown in a forest setting. The machine is positioned on the right side of the frame, with its boom and cutting head visible. The background consists of numerous tall, thin trees, some with bare branches and others with green foliage. The lighting is bright, suggesting a sunny day. The machine's tracks and undercarriage are visible at the bottom right.

859M TRACKED FELLER BUNCHER

BUILT FOR WORK IN THE REAL WORLD.

Keeping up in the woods and at the landing can be some of the hardest work you do. So when you asked for job-proven mid-size might to help get things done, we took it from there. The result is a tracked feller buncher equipped with standard Smooth Boom Control (SBC) for exceptional command. A long and wide undercarriage for sturdy stability. Dual-swing drive for powerful performance. Standard Rapid Cycle System (RCS) for optimized operation. Uncompromising cab comfort and visibility. Plus a range of available options to suit your application. It all adds up to a purpose-built machine designed to work for you.

Smooth operation

Smooth Boom Control (SBC) allows machine movements to be controlled more effectively, delivering a smoother experience for the operator and less wear and tear on the machine over time.

Sure-footed stability

Generous tractive effort enables reliable negotiation of difficult or steep terrain, deep snow, and swamps. Long and wide undercarriage combined with our industry-leading leveling system maximizes stability on steep slopes and other challenging terrain conditions.

Expansive visibility

Floor-to-ceiling front window, large side windows, skylight, and optional floor window (standard with the undercarriage-leveling mechanism) significantly expand the view of the harvesting area and the work at hand.

Comfortable control

Ergonomically designed controls and seat with dual-density seat pan and contour plus updated armrest and suspension boost overall operator comfort. Options such as heated-ventilated seat (HVS) and updated premium Bluetooth® radio with XM Satellite Radio ready from the factory take comfort to the next level.



SURE-FOOTED STABILITY IN ALL TERRAIN

Level the playing field

An available option on the 859M Tracked Feller Buncher, our industry-leading slope-monitoring system measures the actual ground-slope angle the machine is working on and displays it on the in-cab monitor, for more confident operation in tough steep-slope conditions and potentially greater overall efficiency.

Dedicated to your work

When equipped with the Dedicated Travel System feature, a 246-kW (330 hp) engine option can be selected to further improve the performance and efficiency of the Travel System and all other machine functions.

Get in the swing

Dual-swing system increases power and performance in demanding felling or harvesting conditions, boosting overall productivity.

Smart debris management

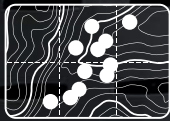
Designed to keep your workspace free and clear, the productivity-boosting debris-management system is integrated into the hood and left-side guarding to prevent materials and debris from entering the cooling package. External screening, sealed cooler compartment, and standard variable-speed reversing fan provide protection as needed.

859M TRACKED FELLER BUNCHER

PUT TECHNOLOGY TO WORK IN THE WOODS AND AT THE OFFICE.

Coordinate your operation and your team's productivity from wherever your work takes you with John Deere Precision Forestry and our core technology solutions.





JOHN DEERE PRECISION FORESTRY

TOOLS ENABLE PRODUCTION
PLANNING & TRACKING

FEATURES

Core intelligence

Your John Deere Forestry machine arrives from the factory equipped with a powerful set of technologies and capabilities already built in. Each plays an important role in managing the health and performance of your overall equipment fleet:

- **JDLink™** connectivity lets you track your equipment, see which machines are working, and know if they're being utilized properly and at maximum productivity and efficiency.
- Enabled through JDLink, **John Deere Connected Support™** leverages a suite of dealer and factory tools designed to deliver increased uptime and productivity, and lower daily operating costs.
- **Remote Diagnostics and Programming Capability** within John Deere Connected Support helps your dealer warn you of any issue with your machine — often before you know of the problem yourself — and initiate solutions without charging you for a technician's visit to your jobsite.
- Our advanced dual approach to **Machine Health** combines the expertise of the technology specialists at our dealerships with the data specialists at our central Machine Health Monitoring Center (MHMC). As part of John Deere Connected Support, information from thousands of connected machines flows through the MHMC, enabling our specialists to identify trends and develop new and improved preventative-maintenance and repair protocols.

Precision Forestry

Take the guesswork out of planning, implementing, and monitoring your logging operation. The tools of our production-planning and -tracking system expand on the core technology features that come standard in every John Deere Forestry machine to unleash a powerful new array of possibilities:

- **TimberMatic™ Maps** is an innovative onboard software solution that helps you reimagine your jobsites. Real-time production views, optimized routes, and shared wireless connections between machines make it easier than ever before to take your forestry operation to the next level.
- **TimberManager™** is a web-based solution for PCs, tablets, and mobile phones that allows you to follow jobsite progress. Combined with TimberMatic Maps, this software provides complete visibility of your operation — from land harvested to specific machines — so you can streamline communication, analyze tasks, and increase productivity:
 - **Remote Monitoring** keeps tabs on the health and performance of your fleet from wherever you are.
 - **Precise Progress Tracking** lets you set goals for your team to meet throughout the day.
 - **Live Production View** displays progress including tree count, area harvested, and estimated tonnage.
 - **Simplified Mapping** of machine data and GPS-based location tracking shows precise stem and log counts.
 - **Real-Time Updates** let you adjust course or eliminate tasks if needed to maintain steady workflow.
 - **Fleet Optimization** goes beyond machine management to help improve the efficiency of your business.

Robust flexibility

Available in both limited and high rotation, the **FS22B** and **FR22B** are our most versatile felling heads. They're robust enough to handle larger, mature trees, with the tree-handling performance to also efficiently accumulate mid-sized timber. The 859M Tracked Feller Buncher is most typically equipped with the FR22B felling head.

FIND YOUR FELLING HEAD AND CUT TO THE BOTTOM LINE

Designed to run on swing-to-tree tracked feller bunchers like the 859M, these flexible felling heads can more than capably help you take it on.

FR22B



FS22B



**TIT
LINE.**

FELLING HEADS

Well within your reach

From small stems to big timber, softwood to hardwood, level or sloped ground, John Deere has a disk saw felling head that's designed for your job.

Cut and accumulate

The **FR21B*** is a lighter-weight, high-rotation felling head designed for both select- and final-harvest applications. With excellent cut and accumulation capacity, this felling head has been optimized for small to mid-sized timber.

Powerful productivity

Its 686-millimeter (27 inch) single-cut capacity makes the **FR27†** our largest-cut-capacity felling head. Over 16-percent bigger than the FR24B, a massive 0.70-square-meter (7.5 square foot) accumulation area efficiently handles a single large tree or multiple smaller stems. With long harvesting arms, hardened-steel saw housing, and large side-chip exhaust chute, the FR27 is productive, durable, and maintenance friendly.

Proven reliability

Delivering efficient, multi-stem high-accumulation performance with huge pockets and tall horns, and available in both limited and high-rotation wrist, **FS50 and FR50** felling heads are best suited for first and second thinnings as well as high-production plantation harvests.

*With 6.71-meter (22 ft.) boom only. / †With 6.10-meter (20 ft.) boom only.

Choose the correct felling head for your 859M Tracked Feller Buncher.



6–14"

Plantation
Thinning
Select Cut
High
Accumulation
Short–Mid-
Height Timber

FS50 / FR50



10–18"

Select Cut
Final Felling
Mid–High
Accumulation
Mid-Height
Timber

FR21B



14–22"

Select Cut
Final Felling
Mid Accumulation
Mid-Height–
Tall Timber

FS22B / FR22B



18–27"

Final Felling
Swamp Logging
(Swell)
Mid–Low
Accumulation
Tall Timber

FR27



FS50



FR50



FR21B



FR27

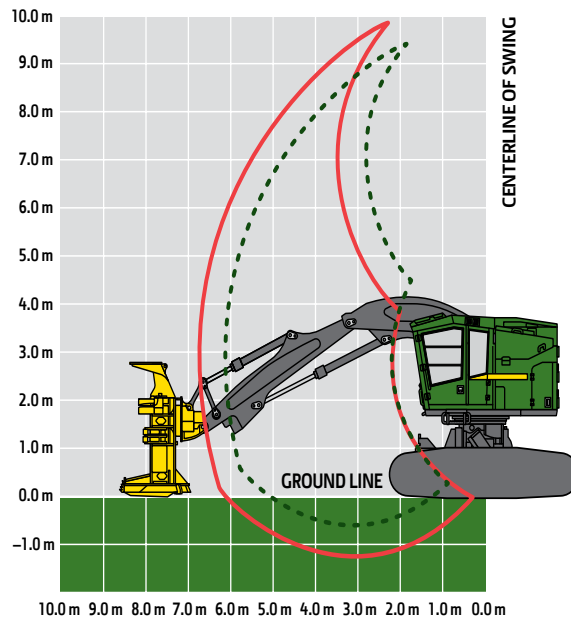
859M TRACKED FELLER BUNCHER SPECIFICATIONS

Engine				
859M				
Manufacturer and Model	John Deere PowerTech™ PSS 9.0L		John Deere PowerTech™ Plus 6090H	
Non-Road Emission Standard	EPA Final Tier 4/EU Stage V		EPA Tier 3/EU Stage IIIA / EPA Tier 2/EU Stage II	
Cylinders	6		6	
Displacement	9.0 L (549 cu. in.)		9.0 L (549 cu. in.)	
	<i>Standard Travel</i>		<i>Dedicated Travel</i>	
Peak Power at 1,900 rpm	224 kW (300 hp)		224 kW (300 hp) 246 kW (330 hp)	
Net Peak Torque at 1,500 rpm	1270 Nm (937 lb.-ft.)		1270 Nm (937 lb.-ft.) 1392 Nm (1,027 lb.-ft.)	
Cooling				
Fan Type	Suction type, hydraulically driven, variable speed, reversing			
Hydraulics				
Closed center, load sense, pressure compensated				
Standard Travel System				
Main Pump Variable-displacement axial piston				
Maximum Rated Flow	532 L/min. (131 gpm)			
Continuous Saw Pump Dedicated variable-displacement axial piston				
Maximum Rated Flow	135 L/min. (36 gpm)			
Attachment Pump Dedicated variable-displacement axial piston				
Maximum Rated Flow	135 L/min. (36 gpm)			
Dedicated Travel System				
Main Pump Variable-displacement axial piston				
Maximum Rated Flow	494 L/min. (131 gpm)			
Travel Pump Dedicated variable-displacement axial piston				
Maximum Rated Flow (x2)	190 L/min. (50 gpm)			
Continuous Saw Pump Dedicated variable-displacement axial piston				
Maximum Rated Flow	135 L/min. (36 gpm)			
Attachment Pump Dedicated variable-displacement axial piston				
Maximum Rated Flow	135 L/min. (36 gpm)			
Oil Filtration	2 main return filters, 10-micron return with bypass, 1 case-drain strainer, 25 micron			
Electrical				
	<i>EPA Final Tier 4/EU Stage V</i>		<i>EPA Tier 3/EU Stage IIIA / EPA Tier 2/EU Stage II</i>	
Voltage	24 volt		24 volt	
Number of Batteries	2 x 12 volt		2 x 12 volt	
Alternator Rating	200-amp standard		100-amp standard, 130-amp optional	
Work Lights	LED (13)		LED (13)	
Service Lights	LED (2)		LED (2)	
Undercarriage				
Integral track guides, thick high-abrasion-resistant material, ramp angles, hydraulic track adjustment				
Size	U7L Extreme Duty (EXD)			
Track Chain	215.9 mm (8.5 in.)			
Number of Track Links (per side)	47			
Lower Rollers (per side)	10			
Carrier Slides/Rollers (per side)	2			
Travel Performance	<i>Standard Travel</i>		<i>Dedicated Travel</i>	
Travel Speed, Forward and Reverse				
High	3.6 km/h (2.2 mph)		4.1 km/h (2.5 mph)	
Low	1.7 km/h (1.0 mph)		1.8 km/h (1.1 mph)	
Tractive Effort	373 kN (83,876 lbf)		357 kN (80,257 lbf)	
Rotating Upper				
Swing System				
Swing Speed (maximum)	6.8 rpm			
Swing Torque	94 740 Nm (69,880 lb.-ft.)			
Swing Brake	Sealed wet multi-disc, manually applied/released			
Serviceability				
Refill Capacities				
	<i>EPA Final Tier 4/EU Stage V</i>		<i>EPA Tier 3/EU Stage IIIA / EPA Tier 2/EU Stage II</i>	
Fuel Tank	870 L (228.9 gal.)		870 L (228.9 gal.)	
Diesel Exhaust Fluid (DEF)	34 L (8.9 gal.)		N/A	

While general information, pictures, and descriptions are provided, some illustrations and text may include product options and accessories NOT AVAILABLE in all regions, and in some countries products and accessories may require modifications or additions to ensure compliance with the local regulations of those countries.

Ground Pressure (SAE J1309)		859M
Includes standard equipment, 6.71-m (22 ft.) power boom with Rapid Cycle System (RCS), medium extended counterweight, half-full fuel tank, and all fluids, less attachment		
Undercarriage	EPA Final Tier 4/EU Stage V U7L EXD	EPA Tier 3/EU Stage IIIA / EPA Tier 2/EU Stage II U7L EXD
Double Grouser		
610 mm (24 in.)	72.2 kPa (10.5 psi)	71.5 kPa (10.4 psi)
Single Grouser		
610 mm (24 in.)	71.9 kPa (10.4 psi)	71.2 kPa (10.3 psi)
711 mm (28 in.)	62.3 kPa (9.0 psi)	61.7 kPa (8.9 psi)
Operating Weight		
Includes standard equipment, 6.71-m (22 ft.) power boom with RCS, medium extended counterweight, 610-mm (24 in.) single-grouser tracks, half-full fuel tank, and all fluids, less attachment		
Undercarriage	EPA Final Tier 4/EU Stage V U7L EXD	EPA Tier 3/EU Stage IIIA / EPA Tier 2/EU Stage II U7L EXD
Approximate Weight — Base Machine	37 410 kg (82,490 lb.)	37 050 kg (81,700 lb.)
Boom Performance		
6.71-m (22 ft.) Boom		
Maximum Reach (to tip of saw blade)	8.49 m (27 ft. 10 in.)	
Minimum Reach (to tip of saw blade)	3.83 m (12 ft. 7 in.)	
Cutting Swath	4.66 m (15 ft. 3 in.)	
Power Lift Option With RCS		
Lift Capacity, Bare Pin at Full Reach	5540 kg (12,220 lb.)	
Lift Capacity, Bare Pin at 6.10 m (20 ft.)	6860 kg (15,130 lb.)	
6.10-m (20 ft.) Boom		
Maximum Reach (to tip of saw blade)	7.88 m (25 ft. 10 in.)	
Minimum Reach (to tip of saw blade)	3.92 m (12 ft. 10 in.)	
Cutting Swath	3.96 m (13 ft. 0 in.)	
Power Lift Option With RCS		
Lift Capacity, Bare Pin at 6.10 m (20 ft.) at Full Reach	6670 kg (14,710 lb.)	

859M Tracked Feller Buncher

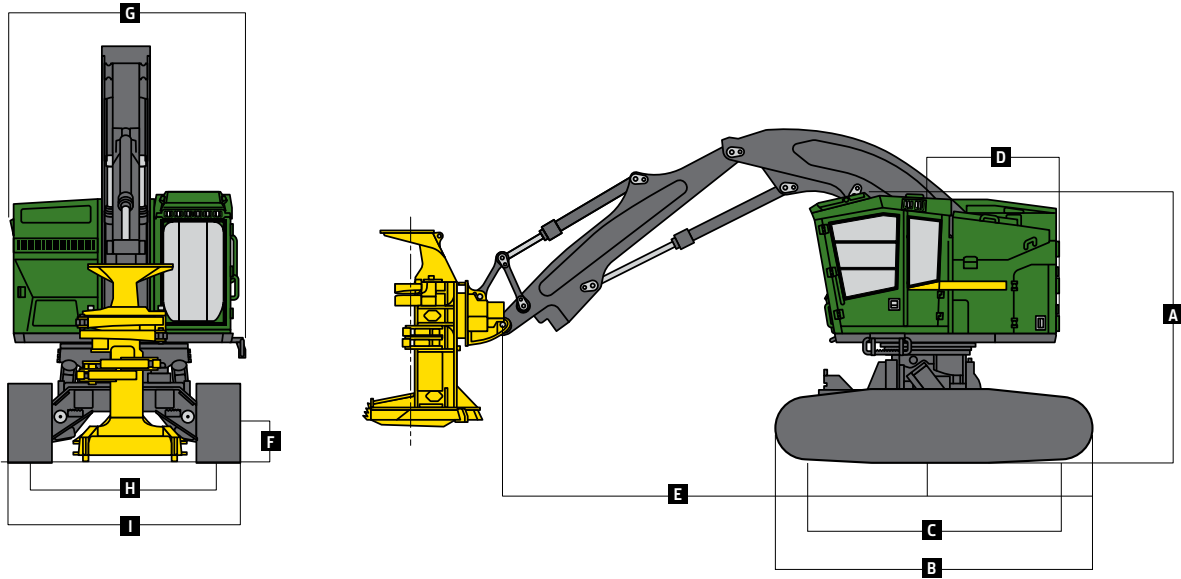


859M TRACKED FELLER BUNCHER SPECIFICATIONS (continued)

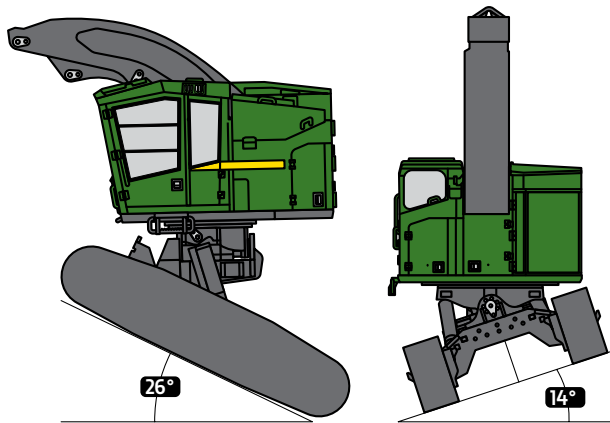
Attachment Information		859M				
Attachment	FR21B*	FS22B	FR22B	FR27†	FS50	FR50
Maximum Cutting Capacity	545 mm (21.5 in.)	559 mm (22.0 in.)	559 mm (22.0 in.)	686 mm (27.0 in.)	508 mm (20.0 in.)	508 mm (20.0 in.)
Maximum Accumulation Capacity	0.46 m ² (5.0 sq. ft.)	0.48 m ² (5.2 sq. ft.)	0.48 m ² (5.2 sq. ft.)	0.70 m ² (7.5 sq. ft.)	0.64 m ² (6.9 sq. ft.)	0.64 m ² (6.9 sq. ft.)
Opening at Front of Housing	1180 mm (46.5 in.)	1280 mm (50.4 in.)	1280 mm (50.4 in.)	1382 mm (54.4 in.)	870 mm (34.0 in.)	870 mm (34.3 in.)
Blade Diameter	1372 mm (54.0 in.)	1422 mm (56.0 in.)	1422 mm (56.0 in.)	1676 mm (66.0 in.)	1346 mm (53.0 in.)	1346 mm (53.0 in.)
Number of Teeth	18	18	18	18	18	18
Saw rpm	1,150 rpm	1,150 rpm	1,150 rpm	1,000 rpm	1,250 rpm	1,225 rpm
Wrist Rotation	302 deg.	30 deg.	312 deg.	300 deg.	30 deg.	312 deg.
Width at Saw Housing	1550 mm (61.0 in.)	1620 mm (63.8 in.)	1620 mm (63.8 in.)	1908 mm (75.1 in.)	1660 mm (65.0 in.)	1510 mm (59.4 in.)
Height	2820 mm (111.0 in.)	3068 mm (120.8 in.)	3068 mm (120.8 in.)	3094 mm (121.8 in.)	2850 mm (112.0 in.)	2846 mm (112.0 in.)
Weight (including adapter and wrist)	3140 kg (6,920 lb.)	3550 kg (7,830 lb.)	3840 kg (8,470 lb.)	4220 kg (9,310 lb.)	3370 kg (7,430 lb.)	3666 kg (8,082 lb.)
*With 6.71-m (22 ft.) boom only. / †With 6.10-m (20 ft.) boom only.						
Machine Dimensions		U7L EXD				
Standard Undercarriage		U7L EXD				
A	Overall Height With Standard 6.71-m (22 ft.) Boom					
	Top of Cab With Flat Skylight	3.92 m (12 ft. 10 in.)				
	Top of Cab With Peaked Skylight	4.13 m (13 ft. 7 in.)				
	Top of Boom, Extended, Attachment Vertical	4.15 m (13 ft. 7 in.)				
B	Overall Track Length	4.90 m (16 ft. 1 in.)				
C	Track Length (idler to sprocket center)	3.83 m (12 ft. 7 in.)				
D	Tail Swing (from swing center)					
	Small Counterweight	1.94 m (6 ft. 4 in.)				
	Medium Counterweight	1.94 m (6 ft. 4 in.)				
	Medium Extended Counterweight	2.25 m (7 ft. 4 in.)				
E	Boom Reach (to attachment pin)					
	Standard 6.71-m (22 ft.) Boom					
	Maximum	6.71 m (22 ft. 0 in.)				
	Minimum	2.05 m (6 ft. 9 in.)				
	Cutting Swath	4.66 m (15 ft. 3 in.)				
	Optional 6.10-m (20 ft.) Boom					
	Maximum	6.10 m (20 ft. 0 in.)				
	Minimum	2.14 m (7 ft. 0 in.)				
	Cutting Swath	3.96 m (13 ft. 0 in.)				
F	Ground Clearance					
	Single Grouser	746 mm (29 in.)				
	Double Grouser	722 mm (28 in.)				
G	Upperstructure Width					
	Standard	3.15 m (10 ft. 4 in.)				
	With Optional Walkway	3.36 m (11 ft. 0 in.)				
H	Track Gauge	2.72 m (8 ft. 11 in.)				
I	Width Over Tracks					
	610-mm (24 in.) Track Shoes	3.33 m (10 ft. 11 in.)				
	711-mm (28 in.) Track Shoes	3.43 m (11 ft. 3 in.)				

While general information, pictures, and descriptions are provided, some illustrations and text may include product options and accessories NOT AVAILABLE in all regions, and in some countries products and accessories may require modifications or additions to ensure compliance with the local regulations of those countries.

859M Tracked Feller Buncher



859M Leveling



859M Undercarriage-Leveling Mechanism

Forward	26 deg.
Side to Side	14 deg.
Rearward	7 deg.



MTFB859U (22-05)

Contact us to learn more.

JohnDeere.com/FellerBunchers
JohnDeere.ca/FellerBunchers



JOHN DEERE