




JOHN DEERE

2654G SWING MACHINE





2654G SWING MACHINE

TAME YOUR TOUGHEST TIMBER.

When you work in the woods, you know that tackling timber is hardly routine. You have to be at the top of your game all day, every day. And that includes your equipment. So we asked for ideas on how to make our purpose-built swing machines even better from loggers just like you. After thousands of hours devoted to redesigning components, testing structures, and implementing major cab updates that set comfort and safety standards, our 2654G Swing Machine is more than ready to help you face whatever comes your way in the forest.

Designed for durability

More dependable electrical architecture simplifies wiring harnesses and the number of connectors, fuses, and relays by approximately 25 percent compared to previous models. Undercarriage X-frame and upper-frame structure have been improved to deliver longer life. Large, high-capacity coolers with optimized airflow help reduce

hydraulic operating temperatures, maximizing component durability.

You'll be a fan

Hydraulically driven, variable-speed fan runs only as needed, conserving power and fuel. Standard reversing feature automatically reverses airflow to eject debris from the cooler cores, decreasing the frequency of cooler maintenance.

It hardly seems like work

With an additional three inches of legroom over earlier models, the cab is isolation mounted to reduce noise and vibration, cushion the ride in rough terrain, and substantially minimize fatigue. Ergonomically correct short-throw pilot levers provide smooth, precise fingertip control with less movement or effort.



19% MORE **TRACTIVE EFFORT INCREASES** **MACHINE CAPABILITY**

Forward thinking

Two cab options significantly enhance operator comfort. Side-entry cab is 25-percent larger than the previous model. Optional rear-entry cab features windows in the floor and injection-molded polycarbonate windows, for superb visibility to the tracks and work area. Cab-forward design boosts visibility to the right.

Get in on the ground game

Optional on the 2654G, longer track frames put more track on the ground, for increased stability — and up to 14-percent more lifting capacity — than the model it replaces.

Master of maneuverability

Increased tractive effort of 19 percent boosts machine capability for negotiating steep or difficult terrain, deep snow, and swamps.

No half measures here

“Half-lever” hydraulic-control system reduces fuel consumption by three to five percent compared to the 2654D Swing Machine, depending on the application. Ground-level service access and conveniently located filters, fluid-fill locations, and grease points help ease daily checks and preventive maintenance.

2654G SWING MACHINE

PUT TECHNOLOGY TO WORK IN THE WOODS AND AT THE OFFICE.

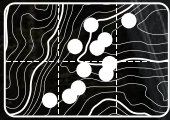
Coordinate your operation and your team's productivity from wherever your work takes you with John Deere Precision Forestry and our core technology solutions.

FEATURES

Core intelligence

Your John Deere Forestry machine arrives from the factory equipped with a powerful set of technologies and capabilities already built in. Each plays an important role in managing the health and performance of your overall equipment fleet:

- **JDLink™** connectivity lets you track your equipment, see which machines are working, and know if they're being utilized properly and at maximum productivity and efficiency.
- Enabled through JDLink, **John Deere Connected Support™** leverages a suite of dealer and factory tools designed to deliver increased uptime and productivity, and lower daily operating costs.
- **Remote Diagnostics and Programming Capability** within John Deere Connected Support helps your dealer warn you of any issue with your machine — often before you know of the problem yourself — and initiate solutions without charging you for a technician's visit to your jobsite.
- Our advanced dual approach to **Machine Health** combines the expertise of the technology specialists at our dealerships with the data specialists at our central Machine Health Monitoring Center (MHMC). As part of John Deere Connected Support, information from thousands of connected machines flows through the MHMC, enabling our specialists to identify trends and develop new and improved preventative-maintenance and repair protocols.



JOHN DEERE PRECISION FORESTRY

TOOLS ENABLE PRODUCTION
PLANNING & TRACKING

Precision Forestry

Take the guesswork out of planning, implementing, and monitoring your logging operation. The tools of our production-planning and -tracking system expand on the core technology features that come standard in every John Deere Forestry machine to unleash a powerful new array of possibilities:

- **TimberMatic™ Maps** is an innovative onboard software solution that helps you reimagine your jobsites. Real-time production views, optimized routes, and shared wireless connections between machines make it easier than ever before to take your forestry operation to the next level.
- **TimberManager™** is a web-based solution for PCs, tablets, and mobile phones that allows you to follow jobsite progress. Combined with TimberMatic Maps, this software provides complete visibility of your operation — from land harvested to specific machines — so you can streamline communication, analyze tasks, and increase productivity:
 - **Remote Monitoring** keeps tabs on the health and performance of your fleet from wherever you are.
 - **Precise Progress Tracking** lets you set goals for your team to meet throughout the day.
 - **Live Production View** displays progress including tree count, area harvested, and estimated tonnage.
 - **Simplified Mapping** of machine data and GPS-based location tracking shows precise stem and log counts.
 - **Real-Time Updates** let you adjust course or eliminate tasks if needed to maintain steady workflow.
 - **Fleet Optimization** goes beyond machine management to help improve the efficiency of your business.

2654G SWING MACHINE SPECIFICATIONS

Engine				
2654G Road Builder / Processor				
Manufacturer and Model	John Deere PowerTech™ PVS 6.8 L	John Deere PowerTech™ Plus 6.8 L	John Deere PowerTech Plus 6.8 L	
Non-Road Emission Standards	EPA Final Tier 4 (FT4)/EU Stage IV	EPA Tier 3/EU Stage IIIA	EPA Tier 2/EU Stage II	
Net Rated Power (ISO 9249)	145 kW (194 hp) at 2,100 rpm	145 kW (194 hp) at 2,100 rpm	145 kW (194 hp) at 2,100 rpm	
Cylinders	6	6	6	
Engine Displacement	6.8 L (415 cu. in.)	6.8 L (415 cu. in.)	6.8 L (415 cu. in.)	
Off-Level Capacity	70% (35 deg.)	70% (35 deg.)	70% (35 deg.)	
Aspiration	Turbocharged, air-to-air charge-air cooler	Turbocharged, air-to-air charge-air cooler	Turbocharged, air-to-air charge-air cooler	
Oil Filter, Remote Mounted	Full-flow spin-on filter	Full-flow spin-on filter	Full-flow spin-on filter	
Cooling				
Fan Drive	Cool-on-demand hydraulic-driven, suction-type fan with remote-mounted drive and standard reversing fan			
Powertrain				
2-speed propel with automatic shift				
Maximum Travel Speed				
Low	2.6 km/h (1.6 mph)			
High	3.9 km/h (2.4 mph)			
Drawbar Pull	30 350 kgf (66,910 lbf)			
Hydraulics				
Open center, pilot operated				
Main Pumps				
	2 variable-displacement pumps			
Maximum Rated Flow x 2	248 L/m (65.5 gpm)			
System Operating Pressure				
Implement Circuits	34 300 kPa (4,975 psi)			
Power Boost	38 000 kPa (5,511 psi)			
Controls				
	Pilot levers; short-stroke, low-effort hydraulic pilot with shutoff lever			
Electrical				
	EPA FT4/EU Stage IV		EPA Tier 3/EU Stage IIIA / EPA Tier 2/EU Stage II	
System Voltage	24 volt		24 volt	
Alternator Rating	150 amp		130 amp	
Lights (standard)				
Work	14 LEDs		14 LEDs	
Service				
With Side-Entry Cab	5 LEDs (compartments)		5 LEDs (compartments)	
With Rear-Entry Cab	6 LEDs (compartments and riser)		6 LEDs (compartments and riser)	
Access	1 LED (right rear cab)		1 LED (right rear cab)	
Undercarriage				
	2.62 m (8 ft. 7 in.)		2.79-m (9 ft. 2 in.) LC	
Rollers (per side)				
Carrier	2		2	
Track	8		9	
Shoes, Double Grousers (per side)	45		48	
Undercarriage Pitch	216 mm (8.5 in.)		216 mm (8.5 in.)	
Ground Pressure				
	2654G Road Builder		2654G Processor	
Undercarriage	2.62 m (8 ft. 7 in.)	2.79-m (9 ft. 2 in.) LC	2.62 m (8 ft. 7 in.)	2.79-m (9 ft. 2 in.) LC
700-mm (28 in.) Double-Grouser Shoes	61.5 kPa (8.92 psi)	56.2 kPa (8.15 psi)	63.5 kPa (9.20 psi)	58.0 kPa (8.41 psi)

While general information, pictures, and descriptions are provided, some illustrations and text may include product options and accessories NOT AVAILABLE in all regions, and in some countries products and accessories may require modifications or additions to ensure compliance with the local regulations of those countries.

Swing Mechanism	2654G Road Builder / Processor
Swing Speed	10.6 rpm
Swing Torque	107 869 Nm (79,560 lb.-ft.)

Operator's Station	
Operator Height From Ground (eye level)	
Side-Entry Forestry Cab	3085 mm (10 ft. 2 in.)
Rear-Entry Log Loader Cab	4432 mm (14 ft. 6 in.)
Standard rearview camera	

Serviceability	
Refill Capacities	
Fuel Tank	800.0 L (211 gal.)
Cooling System	23.0 L (6.0 gal.)
Diesel Exhaust Fluid (DEF) Tank (FT4 only)	42.4 L (11.2 gal.)
Engine Crankcase (including filter)	20.0 L (20.6 qt.)
Hydraulic Tank Oil	147.6 L (39.0 gal.)

Operating Weights	2654G Road Builder	2654G Processor
With full fuel tank, 79-kg (175 lb.) operator, 7-in. riser, side-entry forestry cab, 4547-kg (10,022 lb.) counterweight, 700-mm (28 in.) double-grouser shoes, and 2.62-m (8 ft. 7 in.) undercarriage; no attachment included		

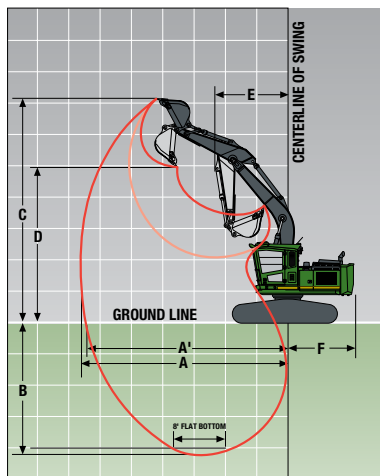
	<i>EPA Tier 3/EU Stage IIIA / EPA FT4/EU Stage IV</i>	<i>EPA Tier 2/EU Stage II</i>	<i>EPA Tier 3/EU Stage IIIA / EPA FT4/EU Stage IV</i>	<i>EPA Tier 2/EU Stage II</i>
SAE Operating Weight	33 272 kg (73,353 lb.)	33 046 kg (72,853 lb.)	34 317 kg (75,656 lb.)	34 090 kg (75,156 lb.)

Optional Components (add weight)			
Rear-Entry Cab (60-in. riser)		671 kg (1,480 lb.)	671 kg (1,480 lb.)
Cab Forward		739 kg (1,630 lb.)	739 kg (1,630 lb.)
Extra-Heavy Counterweight		1383 kg (3,049 lb.)	1383 kg (3,049 lb.)
2.79-m (9 ft. 2 in.) LC Undercarriage		790 kg (1,741 lb.)	790 kg (1,741 lb.)

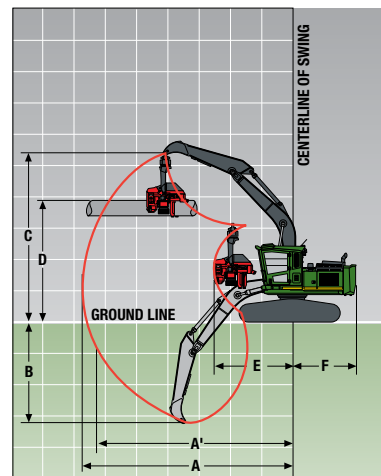
Operating Dimensions	
With standard equipment, 700-mm (28 in.) shoes, 4547-kg (10,022 lb.) counterweight, full fuel tank, and 79-kg (175 lb.) operator	

	<i>2.95-m (9 ft. 8 in.) Arm; 996-kg (2,195 lb.), 1.06-m³ (1.38 cu. yd.), 1065-mm (42 in.) Bucket</i>	<i>3.40-m (11 ft. 2 in.) Processor Arm</i>
A Maximum Reach	10.16 m (33 ft. 4 in.)	8.94 m (29 ft. 4 in.)
A' Maximum Reach at Ground Level	9.91 m (32 ft. 6 in.)	8.64 m (28 ft. 4 in.)
B Maximum Working Depth	6.25 m (20 ft. 6 in.)	4.85 m (15 ft. 11 in.)
C Maximum Working Height	10.64 m (34 ft. 11 in.)	9.88 m (32 ft. 5 in.)
D Maximum Log-Level Height	7.95 m (26 ft. 1 in.)	7.47 m (24 ft. 6 in.)
E Minimum Swing Radius	3.23 m (10 ft. 7 in.)	2.82 m (9 ft. 3 in.)
F Tail Swing Radius	3.28 m (10 ft. 9 in.)	3.28 m (10 ft. 9 in.)

2654G Road Builder

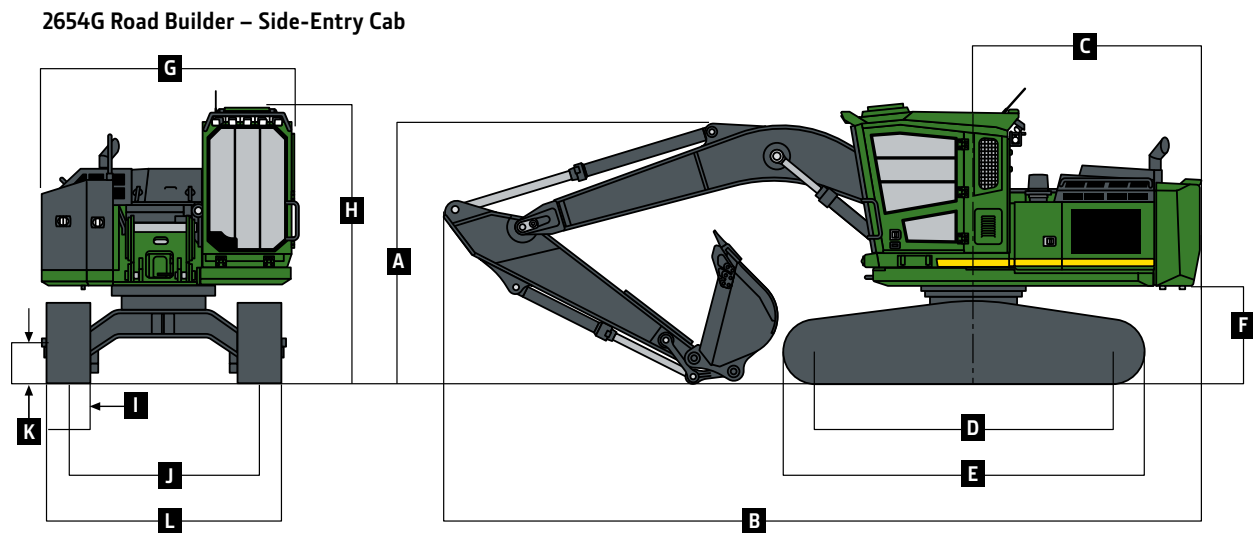


2654G Processor



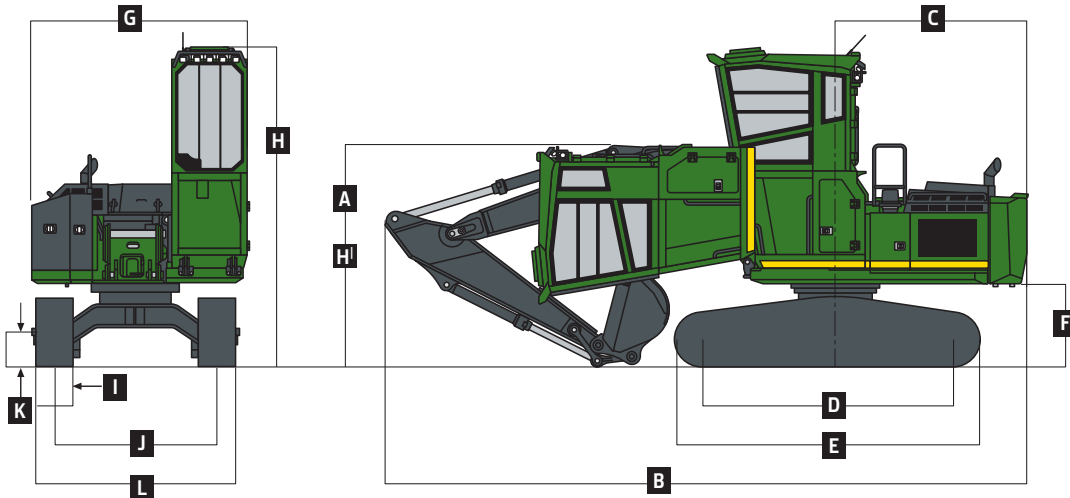
2654G SWING MACHINE SPECIFICATIONS (continued)

Machine Dimensions	2654G Road Builder	2654G Processor	2654G Processor	2654G Processor
Undercarriage	2.62 m (8 ft. 7 in.)	2.79-m (9 ft. 2 in.) LC	2.62 m (8 ft. 7 in.)	2.79-m (9 ft. 2 in.) LC
A Machine Transport Height				
Side-Entry Cab	3.84 m (12 ft. 7 in.)	3.84 m (12 ft. 7 in.)	3.96 m (13 ft. 0 in.)	3.96 m (13 ft. 0 in.)
Rear-Entry Cab	3.76 m (12 ft. 4 in.)	3.76 m (12 ft. 4 in.)	3.96 m (13 ft. 0 in.)	3.96 m (13 ft. 0 in.)
B Overall Length	10.29 m (33 ft. 9 in.)	10.29 m (33 ft. 9 in.)	10.34 m (33 ft. 11 in.)	10.34 m (33 ft. 11 in.)
C Rear-End Length / Swing Radius	3.20 m (10 ft. 6 in.)	3.20 m (10 ft. 6 in.)	3.20 m (10 ft. 6 in.)	3.20 m (10 ft. 6 in.)
D Distance Between Idler / Sprocket Centerline	3.73 m (12 ft. 3 in.)	4.06 m (13 ft. 4 in.)	3.73 m (12 ft. 3 in.)	4.06 m (13 ft. 4 in.)
E Undercarriage Length	4.70 m (15 ft. 5 in.)	5.03 m (16 ft. 6 in.)	4.70 m (15 ft. 5 in.)	5.03 m (16 ft. 6 in.)
F Counterweight Clearance	1.40 m (4 ft. 7 in.)	1.40 m (4 ft. 7 in.)	1.40 m (4 ft. 7 in.)	1.40 m (4 ft. 7 in.)
G Upperstructure Width	3.38 m (11 ft. 1 in.)	3.38 m (11 ft. 1 in.)	3.38 m (11 ft. 1 in.)	3.38 m (11 ft. 1 in.)
H Cab Operating Height				
Side-Entry Cab	3.84 m (12 ft. 7 in.)	3.84 m (12 ft. 7 in.)	3.84 m (12 ft. 7 in.)	3.84 m (12 ft. 7 in.)
Rear-Entry Cab	5.18 m (17 ft. 0 in.)	5.18 m (17 ft. 0 in.)	5.18 m (17 ft. 0 in.)	5.18 m (17 ft. 0 in.)
H^I Tilted Cab Height (rear-entry cab)	3.76 m (12 ft. 4 in.)	3.76 m (12 ft. 4 in.)	3.76 m (12 ft. 4 in.)	3.76 m (12 ft. 4 in.)
I Track Width With 700-mm (28 in.) Double-Grouser Shoes	0.71 m (28 in.)	0.71 m (28 in.)	0.71 m (28 in.)	0.71 m (28 in.)
J Center of Sprocket to Center of Sprocket	2.62 m (8 ft. 7 in.)	2.79 m (9 ft. 2 in.)	2.62 m (8 ft. 7 in.)	2.79 m (9 ft. 2 in.)
K Ground Clearance	0.71 m (28 in.)	0.76 m (30 in.)	0.71 m (28 in.)	0.76 m (30 in.)
L Undercarriage Width With 660-mm (26 in.) or 700-mm (28 in.) Double-Grouser Shoes	3.33 m (10 ft. 11 in.)	3.53 m (11 ft. 7 in.)	3.33 m (10 ft. 11 in.)	3.53 m (11 ft. 7 in.)

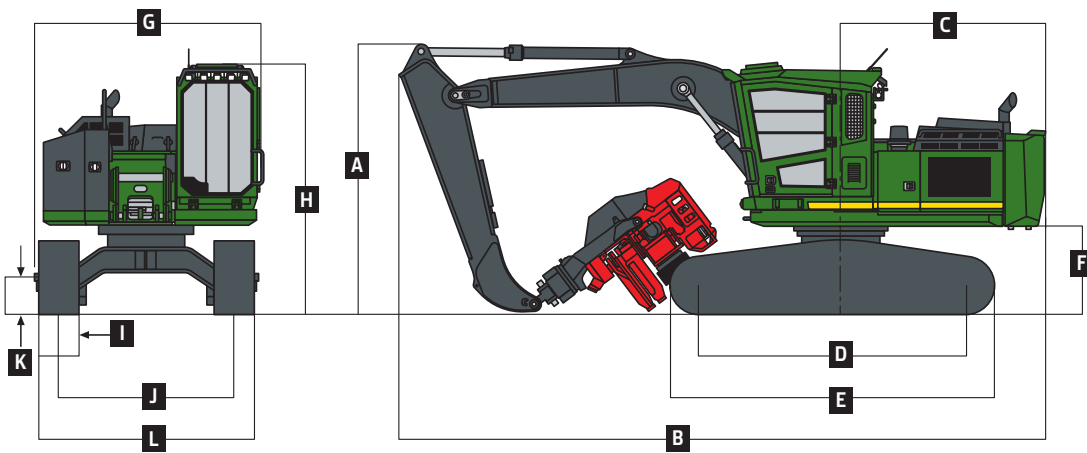


While general information, pictures, and descriptions are provided, some illustrations and text may include product options and accessories NOT AVAILABLE in all regions, and in some countries products and accessories may require modifications or additions to ensure compliance with the local regulations of those countries.

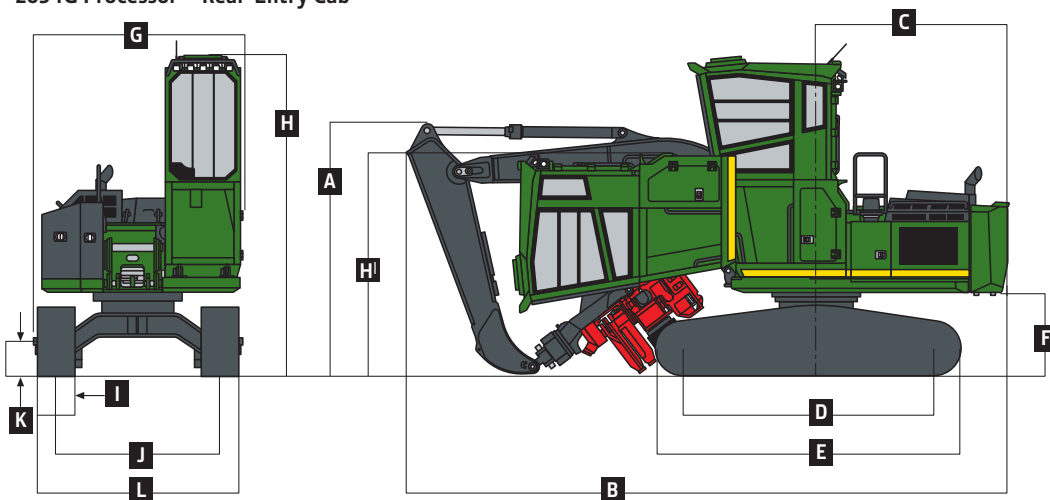
2654G Road Builder – Rear-Entry Cab



2654G Processor – Side-Entry Cab



2654G Processor – Rear-Entry Cab



2654G SWING MACHINE SPECIFICATIONS (continued)

Attachment weight is not included when calculating the lift capacities. Boldface type indicates hydraulic-limited capacities with power boost; lightface type indicates stability-limited capacities, in kg (lb.). Figures do not exceed 87 percent of hydraulic capacities or 75 percent of weight needed to tip machine.

Lift Capacity – 2654G Road Builder with 2.62-m (8 ft. 7 in.) undercarriage, 700-mm (28 in.) shoes, and standard counterweight; bare pin								
Load Point Height	3.1 m (10 ft.)		4.6 m (15 ft.)		6.1 m (20 ft.)		7.6 m (25 ft.)	
	Over Front	Over Side	Over Front	Over Side	Over Front	Over Side	Over Front	Over Side
7.6 m (25 ft.)					5480 (12,070)	5480 (12,070)		
6.1 m (20 ft.)					5720 (12,610)	5720 (12,610)	5490 (12,090)	5490 (12,090)
4.6 m (15 ft.)	11 490 (25,320)	11 490 (25,320)	7860 (17,320)	7860 (17,320)	6430 (14,160)	6430 (14,160)	5720 (12,610)	5720 (12,610)
3.1 m (10 ft.)			9820 (21,640)	9820 (21,640)	7330 (16,170)	7330 (16,170)	6140 (13,540)	5850 (12,890)
1.5 m (5 ft.)			11 250 (24,790)	11 250 (24,790)	8130 (17,920)	7700 (16,970)	6550 (14,430)	5670 (12,490)
Ground Line	17 240 (37,990)	17 240 (37,990)	11 710 (25,810)	11 210 (24,720)	8550 (18,850)	7480 (16,490)	6750 (14,870)	5550 (12,230)
-1.5 m (-5 ft.)	16 060 (35,390)	16 060 (35,390)	11 340 (25,000)	11 190 (24,660)	8450 (18,620)	7420 (16,360)	6520 (14,360)	5540 (12,200)
-3.1 m (-10 ft.)	13 930 (30,690)	13 930 (30,690)	10 150 (22,360)	10 150 (22,360)	7580 (16,700)	7530 (16,590)		
-4.6 m (-15 ft.)			7510 (16,550)	7510 (16,550)				

Lift Capacity – 2654G Road Builder with 2.79-m (9 ft. 2 in.) LC undercarriage, 700-mm (28 in.) shoes, and standard counterweight; bare pin								
Load Point Height	3.1 m (10 ft.)		4.6 m (15 ft.)		6.1 m (20 ft.)		7.6 m (25 ft.)	
	Over Front	Over Side	Over Front	Over Side	Over Front	Over Side	Over Front	Over Side
7.6 m (25 ft.)					5480 (12,070)	5480 (12,070)		
6.1 m (20 ft.)					5720 (12,610)	5720 (12,610)	5490 (12,090)	5490 (12,090)
4.6 m (15 ft.)	11 490 (25,320)	11 490 (25,320)	7860 (17,320)	7860 (17,320)	6430 (14,160)	6430 (14,160)	5720 (12,610)	5720 (12,610)
3.1 m (10 ft.)			9820 (21,640)	9820 (21,640)	7330 (16,170)	7330 (16,170)	6140 (13,540)	6140 (13,540)
1.5 m (5 ft.)			11 250 (24,790)	11 250 (24,790)	8130 (17,920)	8130 (17,920)	6550 (14,430)	6250 (13,770)
Ground Line	17 240 (37,990)	17 240 (37,990)	11 710 (25,810)	11 710 (25,810)	8550 (18,850)	8290 (18,270)	6750 (14,870)	6130 (13,500)
-1.5 m (-5 ft.)	16 060 (35,390)	16 060 (35,390)	11 340 (25,000)	11 340 (25,000)	8450 (18,620)	8230 (18,140)	6520 (14,360)	6110 (13,480)
-3.1 m (-10 ft.)	13 930 (30,690)	13 930 (30,690)	10 150 (22,360)	10 150 (22,360)	7580 (16,700)	7580 (16,700)		
-4.6 m (-15 ft.)			7510 (16,550)	7510 (16,550)				

While general information, pictures, and descriptions are provided, some illustrations and text may include product options and accessories NOT AVAILABLE in all regions, and in some countries products and accessories may require modifications or additions to ensure compliance with the local regulations of those countries.

Attachment weight is not included when calculating the lift capacities. Boldface type indicates hydraulic-limited capacities with power boost; lightface type indicates stability-limited capacities, in kg (lb.). Figures do not exceed 87 percent of hydraulic capacities or 75 percent of weight needed to tip machine.

Lift Capacity — 2654G Processor with 2.62-m (8 ft. 7 in.) undercarriage, 700-mm (28 in.) shoes, and standard counterweight; bare pin								
Load Point Height	3.1 m (10 ft.)		4.6 m (15 ft.)		6.1 m (20 ft.)		7.6 m (25 ft.)	
	Over Front	Over Side	Over Front	Over Side	Over Front	Over Side	Over Front	Over Side
7.6 m (25 ft.)					5090 (11,230)	5090 (11,230)		
6.1 m (20 ft.)			5710 (12,590)	5710 (12,590)	5410 (11,920)	5410 (11,920)	5250 (11,570)	5250 (11,570)
4.6 m (15 ft.)	9960 (21,960)	9960 (21,960)	7330 (16,150)	7330 (16,150)	6170 (13,610)	6170 (13,610)	5570 (12,280)	5570 (12,280)
3.1 m (10 ft.)	15 830 (34,880)	15 830 (34,880)	9430 (20,780)	9430 (20,780)	7170 (15,810)	7170 (15,810)	6070 (13,370)	5890 (12,970)
1.5 m (5 ft.)	18 580 (40,950)	18 580 (40,950)	11 150 (24,570)	11 150 (24,570)	8100 (17,840)	7750 (17,080)	6560 (14,450)	5700 (12,550)
Ground Line	18 410 (40,580)	18 410 (40,580)	11 930 (26,300)	11 260 (24,810)	8670 (19,120)	7510 (16,550)	6870 (15,140)	5560 (12,250)
-1.5 m (-5 ft.)	17 370 (38,280)	17 370 (38,280)	11 840 (26,100)	11 160 (24,590)	8750 (19,280)	7410 (16,320)	6820 (15,040)	5500 (12,130)
-3.1 m (-10 ft.)	15 440 (34,040)	15 440 (34,040)	10 910 (24,050)	10 910 (24,050)	8150 (17,960)	7440 (16,400)		
-4.6 m (-15 ft.)			8790 (19,380)	7510 (16,550)				

Lift Capacity — 2654G Processor with 2.79-m (9 ft. 2 in.) LC undercarriage, 700-mm (28 in.) shoes, and standard counterweight; bare pin								
Load Point Height	3.1 m (10 ft.)		4.6 m (15 ft.)		6.1 m (20 ft.)		7.6 m (25 ft.)	
	Over Front	Over Side	Over Front	Over Side	Over Front	Over Side	Over Front	Over Side
7.6 m (25 ft.)					5090 (11,230)	5090 (11,230)		
6.1 m (20 ft.)			5710 (12,590)	5710 (12,590)	5410 (11,920)	5410 (11,920)	5250 (11,570)	5250 (11,570)
4.6 m (15 ft.)	9960 (21,960)	9960 (21,960)	7330 (16,150)	7330 (16,150)	6170 (13,610)	6170 (13,610)	5570 (12,280)	5570 (12,280)
3.1 m (10 ft.)	15 830 (34,880)	15 830 (34,880)	9430 (20,780)	9430 (20,780)	7170 (15,810)	7170 (15,810)	6070 (13,370)	6070 (13,370)
1.5 m (5 ft.)	18 580 (40,950)	18 580 (40,950)	11 150 (24,570)	11 150 (24,570)	8100 (17,840)	8100 (17,840)	6560 (14,450)	6270 (13,820)
Ground Line	18 410 (40,580)	18 410 (40,580)	11 930 (26,300)	11 930 (26,300)	8670 (19,120)	8310 (18,320)	6870 (15,140)	6130 (13,510)
-1.5 m (-5 ft.)	17 370 (38,280)	17 370 (38,280)	11 840 (26,100)	11 840 (26,100)	8750 (19,280)	8210 (18,090)	6820 (15,040)	6080 (13,390)
-3.1 m (-10 ft.)	15 440 (34,040)	15 440 (34,040)	10 910 (24,050)	10 910 (24,050)	8150 (17,960)	8150 (17,960)		
-4.6 m (-15 ft.)			8790 (19,380)	7510 (16,550)				



MSW2654GC (23-01)

Contact us to learn more.

JohnDeere.com/SwingMachines
JohnDeere.ca/SwingMachines



JOHN DEERE