



REPLACEMENT PART GUIDE

4045TFU20 PowerTech 4.5L Genset OEM Engine



CRANKSHAFT PULLEY

[R505567](#) (OD = 173 mm) (1328)

1

FAN PULLEY

[R128658](#) (OD = 140 mm) (8604, 8607, 8610)

[R128660](#) (OD = 168 mm) (8605, 8611, 8608)

[R128659](#) (OD= 159 mm) (8652, 8657, 8654)

[R128662](#) (OD = 203 mm) (8606, 8609, 8612)

[R128661](#) (OD = 184 mm) (8655, 8653, 8658)

2



ALTERNATOR

[RE533516](#) (12V, 75A) (3109)

[RE537146](#) (24V, 50A) (3104)

3

FAN BELT

[DZ119478](#) (LGTH = 1570 mm) (2420)

[T428825](#) (LGTH = 1650 mm) (2480, 2425)

[R500277](#) (LGTH = 1500 mm) (24HM)

[DZ118763](#) (LGTH = 1490 mm) (240A)

[DZ119060](#) (LGTH = 1558 mm) (2422, 24AW)

[DZ119477](#) (LGTH = 1565 mm) (2423)

[DZ115455](#) (LGTH = 1550 mm) (2407)

[T428818](#) (LGTH = 1590 mm) (240F)

[DZ119062](#) (LGTH = 1550 mm) (240R, 240C)

[T428724](#) (LGTH = 1575 mm) (2409)

[DZ119715](#) (LGTH = 1625 mm) (2429)

[DZ119520](#) (LGTH = 1605 mm) (2478)

[DZ119063](#) (LGTH = 1563 mm) (24HC, 24VM)

[DZ119061](#) (LGTH = 1540 mm) (2414)

[T428820](#) (LGTH = 1580 mm) (2479)

[DZ119516](#) (LGTH = 1558 mm) (24LY)

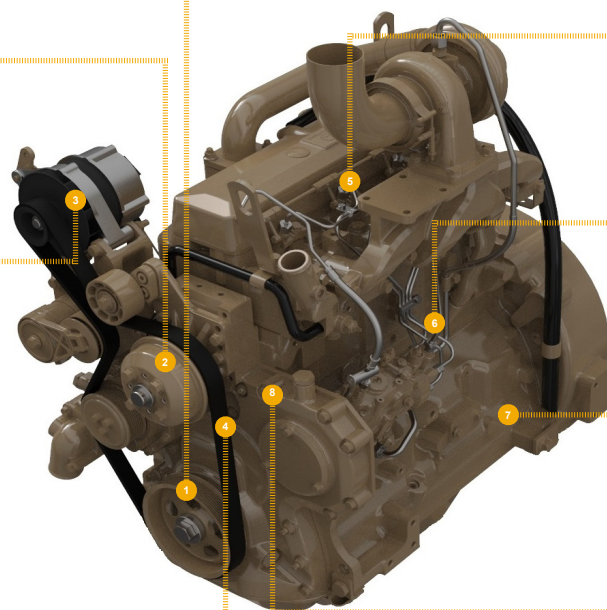
[T428863](#) (LGTH = 1620 mm) (24LZ)

[T240082](#) (LGTH = 1650 mm) (24MA)

[T428823](#) (LGTH = 1638 mm) (24MB)

[T428822](#) (LGTH = 1615 mm) (24MD)

4



OIL FILTER

[RE504836](#) (8843)

500 hrs of operation or every 12 months.

5



FINAL FUEL FILTER

[RE60021](#) (35JV)

500 hrs of operation or every 12 months.

6



STARTER

[RE546868](#) (12V, 3.2KW, RH) (30BA)

[RE552251](#) (24V, 3.5KW) (30CA)

Includes Saftey sign, Start motor with solenoid, cover and jumper

7



SHORT BLOCK ASSEMBLY

[DZ110419](#)

Also order engine gasket kit, dipstick tube, oil pump, cylinder head bolt kit,(1) r121043 valve, r111137 spring, and parts from the short block hardware kit as needed.

8



JOHN DEERE

Genuine Parts and Service



REMAN PARTS GUIDE

4045TFG20 PowerTech 4.5L Genset OEM Engine



ALTERNATOR

[SE502626](#) (REMAN FOR [RE533516](#))
(12V, 75A) (3109)



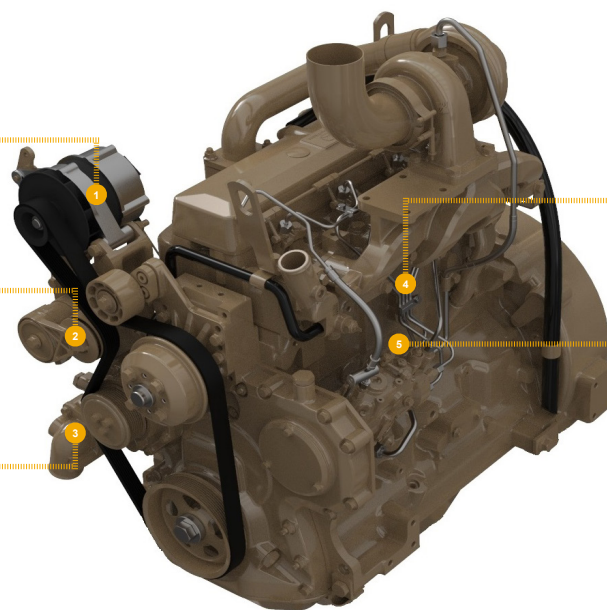
WATER PUMP

[SE501610](#) (REMAN FOR [RE546917](#)) (4429)



OIL PUMP

[SE501814](#) (REMAN FOR [DZ100057](#)) (5001)



CONNECTING ROD

[SE501094](#) (REMAN FOR [RE500608](#)) (4809)



CYLINDER HEAD

[SE501806](#) (REMAN FOR [RE531088](#)) (5127)
[SE501579](#) (REMAN FOR [RE57234](#)) (5102)



JOHN DEERE
Genuine Parts and Service