



REPLACEMENT PART GUIDE

4045HFS86 PowerTech 4.5L Gen Set Motor (Tier 3) (DD22136, DD22137)



OCV FILTER

[RE546466](#) (2934, 2984)



FINAL FUEL FILTER

[RE522878](#) (35ED)

PRIMARY FUEL FILTER

[RE541922](#) (8170)



STARTER

[RE540301](#) (12V, 2.5KW) (3005) USE WITH ENGINE VARIANT [DD22136](#)

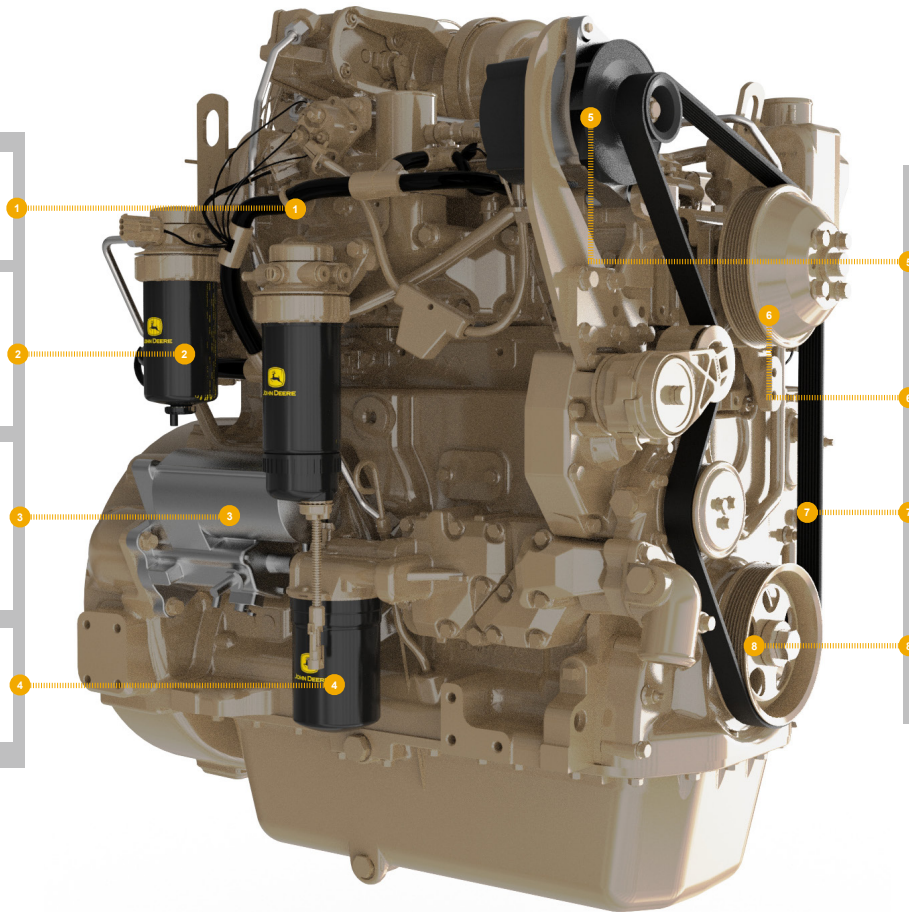
[RE70961](#) (24V) (3001) USE WITH ENGINE VARIANT [DD22137](#)



OIL FILTER

[RE504836](#) (8843)

500 hrs of operation or every 12 months.



ALTERNATOR

[RE537146](#) (28V, 50A) (3142) Use With Engine Variant [DD22137](#)
[RE533516](#) (12V, 75A) (3138) Use With Engine Variant [DD22136](#)



FAN PULLEY

[R128658](#) (OD = 140 mm) (8648)



FAN BELT

[R503814](#) (LGTH = 1475 mm) (24AX)



CRANKSHAFT PULLEY

[R505567](#) (OD = 173 mm) (1328)



JOHN DEERE

Genuine Parts and Service



REPLACEMENT PART GUIDE

4045HFS86 PowerTech 4.5L Gen Set Motor (Tier 3) (DD22404, DD22405)



OCV FILTER

[RE546466](#) (2934, 2984)



STARTER

[RE546868](#) (12V, 3.2KW, RH) (30BA) USE WITH ENGINE VARIANT [DD22404](#)
[RE552251](#) (24V, 3.5KW) (30CA) USE WITH ENGINE VARIANT [DD22405](#)



OIL FILTER

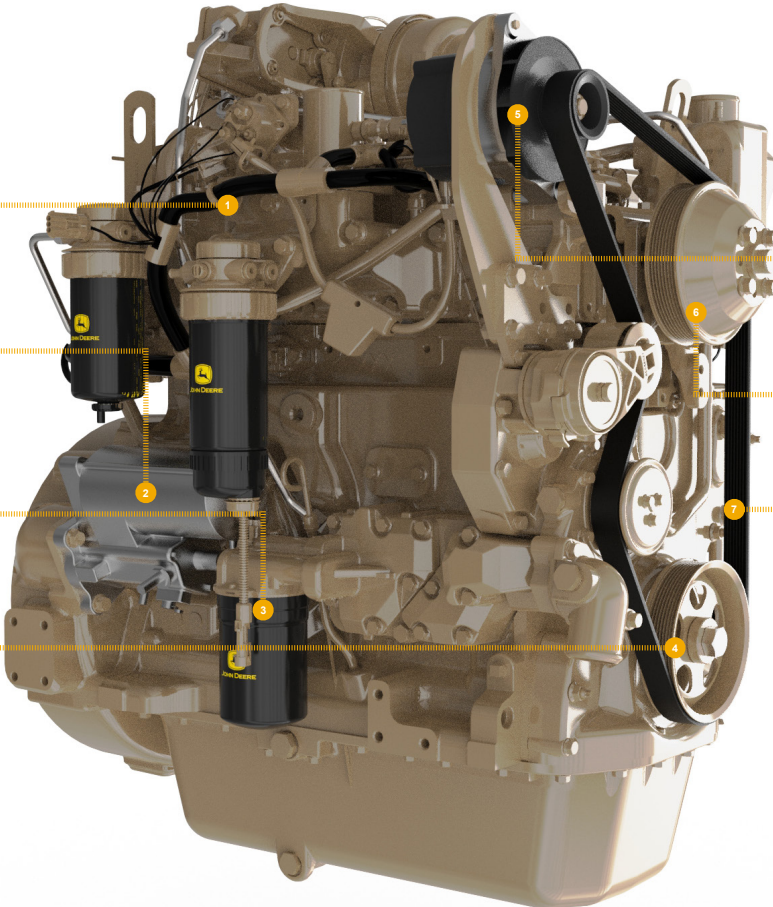
[RE504836](#) (880R)

500 hrs of operation or every 12 months.



CRANKSHAFT PULLEY

[R505567](#) (OD = 173 mm) (1328)



ALTERNATOR

[RE537146](#) (28V, 50A) (3142) Use With Engine Variant [DD22405](#)
[RE533516](#) (12V, 75A) (3138) Use With Engine Variant [DD22404](#)



FAN PULLEY

[R128658](#) (OD = 140 mm) (8648)



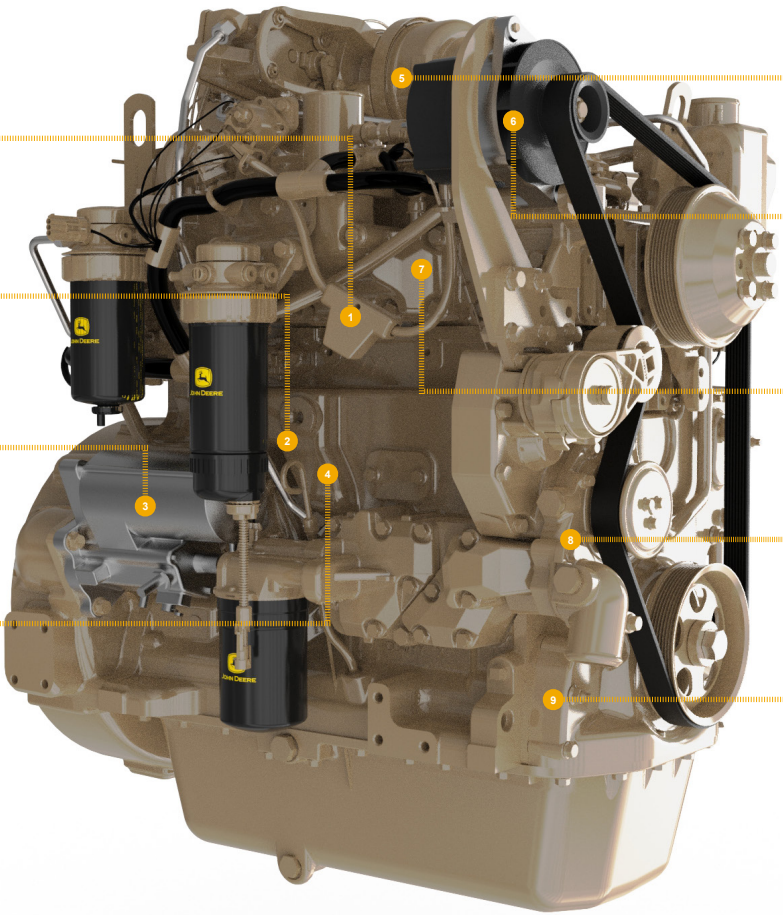
FAN BELT

[R503814](#) (LGTH = 1475 mm) (24AX)



REMAN PARTS GUIDE

4045HFS86 PowerTech 4.5L Gen Set Motor (Tier 3)



FUEL INJECTION PUMP
[SE501915](#) (REMAN FOR [RE507959](#)) (16A5)
FUEL INJECTION NOZZLE
[SE501925](#) (REMAN FOR [DZ100212](#)) (16A5)



CONNECTING ROD
[SE501094](#) (REMAN FOR [RE500608](#))
 (S350PT) (4874)



STARTER
[SE501401](#) (REMAN FOR [RE540301](#))
 (12V, 2.5KW) (3005)
[SE501407](#) (REMAN FOR [RE70961](#)) (24V)
 (3001)



CYLINDERHEAD
[SE501809](#) (REMAN FOR [RE532328](#)) (5130)



TURBOCHARGER
[SE502218](#) (REMAN FOR [RE548726](#))
 (65ZG)



ALTERNATOR
[SE502626](#) (REMAN FOR [RE533516](#))
 (12V, 75A) (3138)
[SE501341](#) (REMAN FOR [RE537146](#))
 (28V, 50A) (3142)



CONTROLLER
[SE502802](#) (REMAN FOR [RE526588](#))
 (24V/12V, LEVEL 16) (16A5)



WATER PUMP
[SE501609](#) (REMAN FOR [RE546906](#)) (4446)



OIL PUMP
[SE501814](#) (REMAN FOR [DZ100057](#)) (5001)