

REPLACEMENT PART GUIDE

6135HF475 PowerTech 13.5L OEM Engine



FUEL FILTER

- [RE572785](#) (5918, 5917)
- [RE539465](#) (12V) (3524)
- [DZ112918](#) (12V) (3524)
- [RE525749](#) (3516)
- [RE515345](#) (3516)
- [RE506833](#) (3516)
- [RE506428](#) (3516)
- [RE541394](#) (24V) (3525)
- [RE539465](#) (24V) (3525)
- [DZ112918](#) (24V) (3525)
- [RE539465](#) (9901)
- [RE541394](#) (9901)
- [DZ112918](#) (9901)

500 hrs of operation or every 12 months.

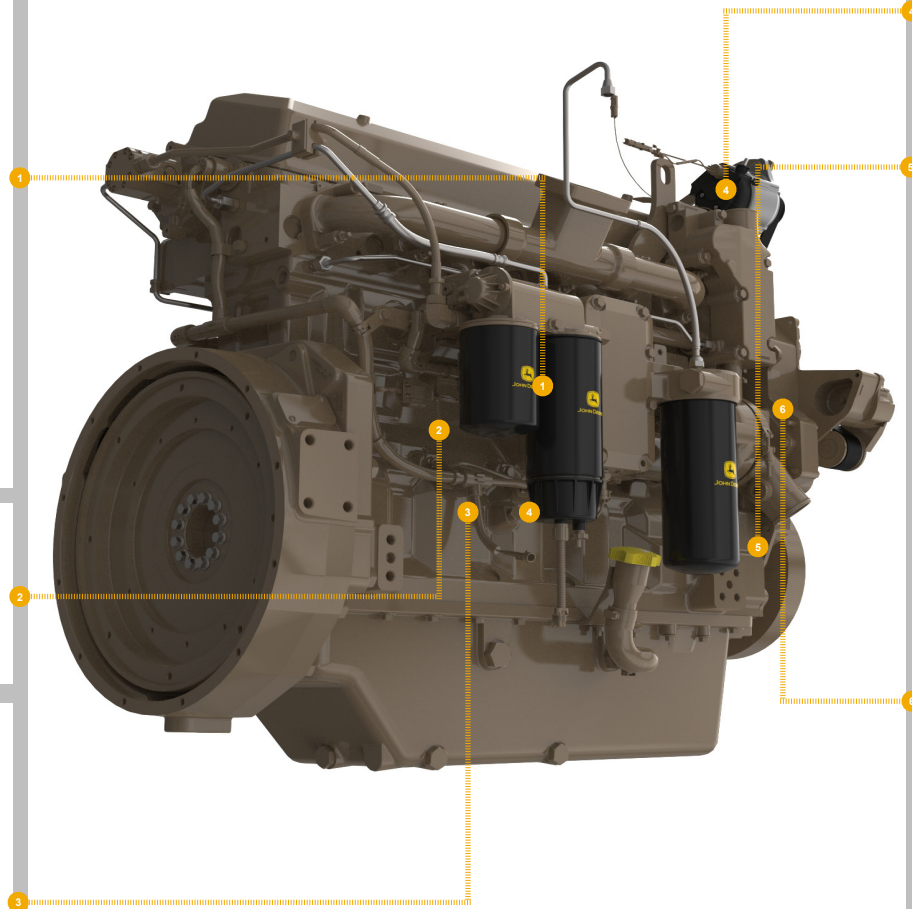
SHORT BLOCK ASSEMBLY

[DZ114431](#)

Also order crank damper, engine gasket kit, dipstick tube, oil pump, cylinder head bolt kit, parts from the short block hardware kit sub for RE536259.

STARTER

- [RE540886](#) (24V) (3014)
- [RE539584](#) (12V) (3012)
- [RE70756](#) (12V) (3012)
- [RE515843](#) (12V) (3006)
- [RE164448](#) (12V) (3006)
- [RE515843](#) (12V) (3008)
- [RE515895](#) (24V) (3007)
- [RE504839](#) (24V) (3007)
- [RE515843](#) (12V) (3008)
- [RE515895](#) (24V) (3009)



ALTERNATOR

- [RE500226](#) (12V, 140A) (3118)
- [RE65414](#) (24V, 60A) (3119)
- [RE500227](#) (12V, 90A) (3120)

DAMPER

- [RE530733](#) (6802)
- [RE523269](#) (6802)

FAN BELT

- [DZ119547](#) (LGTH = 2033 mm) (2475)
- [N381387](#) (LGTH = 1715 mm) (2475)
- [DZ118698](#) (LGTH = 1665 mm) (2477)
- [DZ119547](#) (LGTH = 2033 mm) (2477)
- [DZ118753](#) (LGTH = 1159 mm) (2415)
- [DZ119640](#) (LGTH = 1780 mm) (2415)
- [DZ118753](#) (LGTH = 1159 mm) (2421)
- [DZ118705](#) (LGTH = 1890 mm) (2421)
- [DZ118779](#) (LGTH = 1430 mm) (2425)
- [DZ118692](#) (LGTH = 1564 mm) (2425)
- [DZ118751](#) (LGTH = 1111 mm) (2428)
- [DZ119641](#) (LGTH = 1825 mm) (2428)
- [DZ118705](#) (LGTH = 1890 mm) (2424)
- [DZ118801](#) (LGTH = 1720 mm) (2424)
- [DZ118692](#) (LGTH = 1564 mm) (2429)
- [DZ118885](#) (LGTH = 1990 mm) (2429)
- [DZ119641](#) (LGTH = 1825 mm) (2432)
- [DZ118781](#) (LGTH = 1700 mm) (2432)
- [N381387](#) (LGTH = 1715 mm) (2419)
- [DZ118775](#) (LGTH = 1310 mm) (2426)
- [DZ118777](#) (LGTH = 1361 mm) (2449)
- [DZ118698](#) (LGTH = 1665 mm) (2449)
- [DZ119558](#) (LGTH = 1635 mm) (2426, 2483)
- [DZ118860](#) (LGTH = 2000 mm) (2483)



REMAN PARTS GUIDE

6135HF475 PowerTech 13.5L OEM Engine



TURBO CHARGER

[SE502437](#) (REMAN FOR [RE532334](#)) (6555)
[SE501679](#) (REMAN FOR [RE524741](#)) (6556)



CONNECTING ROD

[SE502276](#) (REMAN FOR [RE535966](#)) (4803)



CYLINDER HEAD

[SE502698](#) (REMAN FOR [RE520563](#)) (9901)



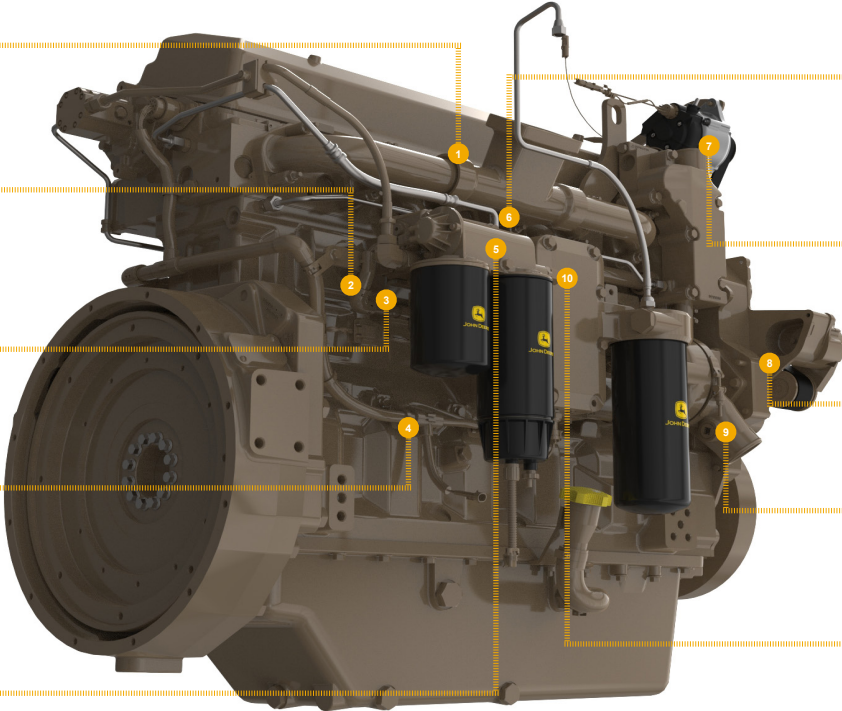
STARTER

[SE501874](#) (REMAN FOR [RE539584](#)) (12V) (3012)
[SE502679](#) (REMAN FOR [RE540886](#)) (3014)
[SE501862](#) (REMAN FOR [RE515843](#)) (12V) (3006)



FUEL INJECTION NOZZLE

[RM100251](#) (REMAN FOR [DZ121294](#)) (1669)



AC COMPRESSOR

[SE503065](#) (REMAN FOR [RE46609](#)) (10 PA, 12V) (7402)



ALTERNATOR

[SE501839](#) (REMAN FOR [RE500226](#)) (3118)
[SE501842](#) (REMAN FOR [RE65414](#)) (24V, 60A) (3119)
[SE501836](#) (REMAN FOR [RE500227](#)) (90 A, 12V) (3120)



WATER PUMP

[SE501593](#) (REMAN FOR [RE549117](#)) (2007)



OIL PUMP

[SE501594](#) (REMAN FOR [RE527933](#)) (5002)



CONTROLLER

[SE502948](#) (REMAN FOR [RE520954](#)) (8494)