



REPLACEMENT PART GUIDE

6081AFM01 8.1L PowerTech Marine Engine

FINAL FUEL FILTER

[RE506428](#) (3501) (3502)

500 hrs of operation or every 12 months.



PRIMARY FUEL FILTER

[RE503676](#) (3501) (3502)

500 hrs of operation or every 12 months.



ALTERNATOR

[RE65414](#) (24 V, 60 A) (3101) (3111)

[RE500227](#) (12 V, 90 A) (3102) (3115)

[RE500226](#) (12 V, 140 A) (3103) (3117)



OIL FILTER

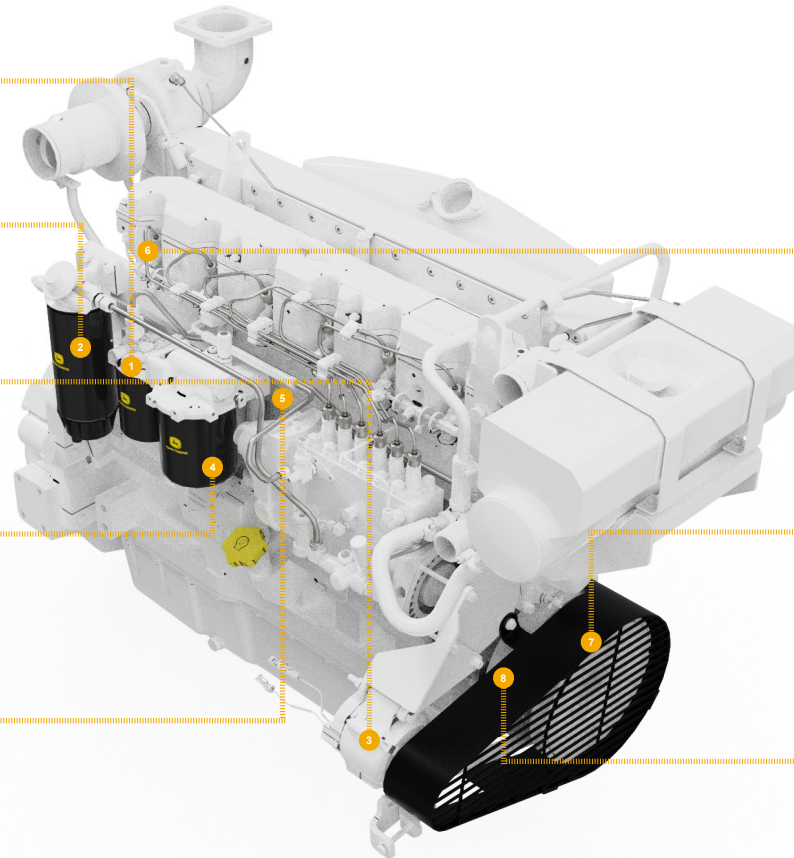
[DZ101880](#) (5901) (5910)

500 hrs of operation or every 12 months.



SHORT BLOCK ASSEMBLY

[RE526068](#) (ALSO ORDER R107623 AND RE42081 WITH CODES 4006, 4010) (ALSO ORDER R121765 WITH CODES 4002, 4003, 4007) (ALSO ORDER R120801 WITH CODES 4008, 4009) (107 MM), (MARKED R115471)



STARTER

[RE70957](#) (12 V) (3001) (3004)

[RE501150](#) (24 V) (3002) (3003)

[RE41755](#) (12 V) (3011)

[RE43300](#) (24 V) (3016)

[RE533571](#) (24 V) (3022)



PULLEY WITH DAMPNER

[RE501764](#) (OD = 279.4 mm) (1306)

[RE500934](#) (OD = 279.4 mm) (1346)

DAMPER

[RE64346](#) (OD = 279.4 mm) (1306)

[RE64345](#) (OD = 279.4 mm) (1307)

[RE57603](#) (OD = 279.15 mm) (1345)

[RE57604](#) (OD = 271.7 mm) (1346)



FAN BELT

[DZ118752](#) (LGTH = 1137 mm) (2401) (2402) (2463) (2452) (2457)



JOHN DEERE

Genuine Parts and Service



REMAN PARTS GUIDE

6081AFM01 8.1L PowerTech Marine Engine

CONNECTING ROD



[SE501767](#) REMAN FOR [RE535555](#) (4802)
[SE501065](#) REMAN FOR [DZ100118](#) (4802)

STARTER



[SE501403](#) REMAN FOR [RE70957](#) (3001)
 (3004)
[SE501406](#) REMAN FOR [RE501150](#) (3002)
 (3003)
[SE501452](#) REMAN FOR [RE41755](#) (3011)
[SE501455](#) REMAN FOR [RE43300](#) (3016)

CYLINDER HEAD

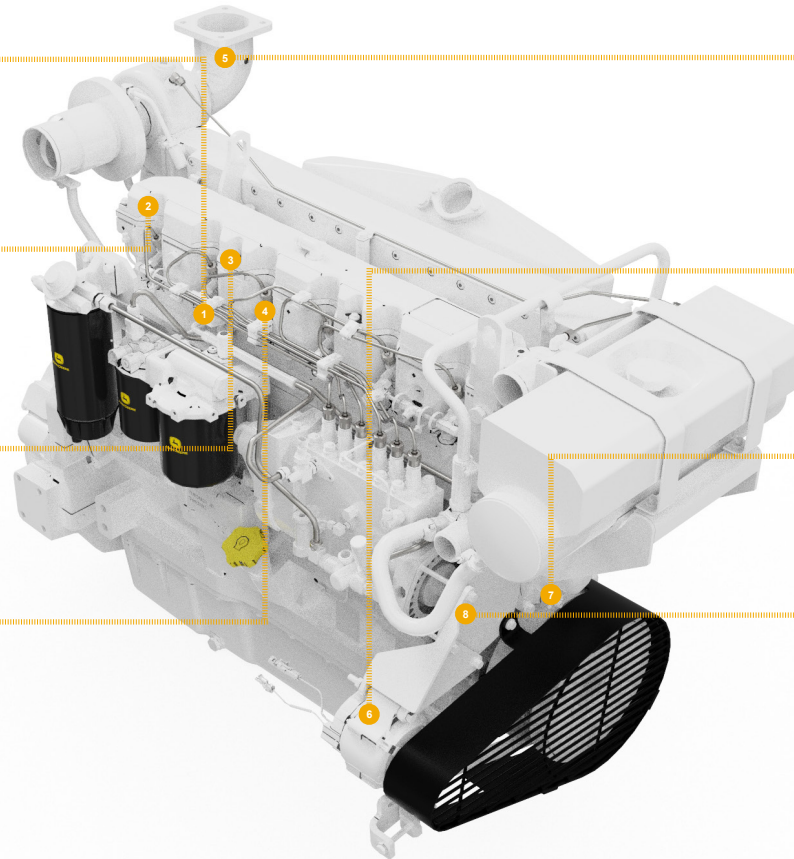


[SE501591](#) REMAN FOR [RE57750](#) (5108)
 (5109)

INJECTION NOZZLE



[SE501125](#) REMAN FOR [RE64184](#) (1601)
 (1602) (1607) (1608) (1626) (16AK)
 (16BD) (16BG)
[SE501124](#) REMAN FOR [RE61593](#) (1603)
 (1604) (1605) (1606) (16AP) (16AT)
 (16AW) (16BA)



TURBOCHARGER

[SE500421](#) REMAN FOR [RE505644](#) (6553)
 (6581)

ALTERNATOR



[SE501842](#) REMAN FOR [RE65414](#) (3101)
 (3111)
[SE501836](#) REMAN FOR [RE500227](#) (3102)
 (3115)
[SE501839](#) REMAN FOR [RE500226](#) (3103)
 (3117)



WATER PUMP

[SE501595](#) REMAN FOR [RE521503](#) (2003)



OIL PUMP

[SE501270](#) REMAN FOR [RE519513](#) (5002)
[SE500877](#) REMAN FOR [RE507076](#) (5002)



JOHN DEERE
 Genuine Parts and Service