



REPLACEMENT PART GUIDE

PowerTech 6.8L 6068HFS72 (12-24V 1500RPM) Genset OEM SDMO Engine



FINAL FUEL FILTER

[RE509208](#) (8130)

PRIMARY FUEL FILTER

[RE509031](#) (35BW)

500 hrs of operation or every 12 months.



STARTER

[RE540301](#) (12V, 2.5KW) (3005)

[RE546868](#) (12V, 3.2KW) (3062, 30BA)

[DZ110083](#) (24V, 4KW) (3067)

INCLUDING SAFETY SIGN,
LABEL, COVER, SOLENOID



OIL FILTER

[RE504836](#) (88AD, 8844)

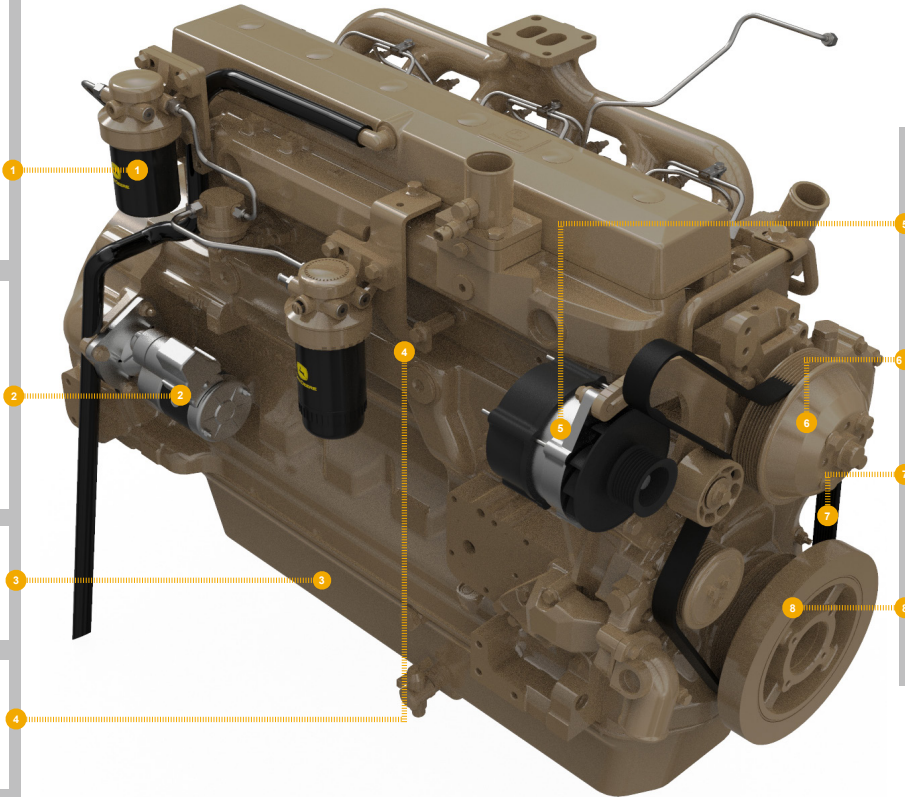
500 hrs of operation or every 12 months.



SHORT BLOCK ASSEMBLY

[RE520385](#)

Also order RE526965 and DD15664; use
with 4820; 6068HF275.



ALTERNATOR

[RE537146](#) (24V, 50A) (3104, 3114)

[RE505895](#) (12V, 75A) (3135)



FAN PULLEY

[R128660](#) (OD = 168 mm) (8605)



FAN BELT

[DZ119059](#) (LGTH = 1515 mm) (240B)



CRANKSHAFT PULLEY

[RE505881](#) (OD = 168 mm) (1324)



JOHN DEERE

Genuine Parts and Service



REMAN PARTS GUIDE

PowerTech 6.8L 6068HFS72 (12-24V 1500RPM) Genset OEM SDMO Engine



FUEL INJECTION PUMP

[SE501236](#) (REMAN FOR [RE518088](#))
(16L8, 16L9)



CONNECTING ROD

[SE501094](#) (REMAN FOR [RE500608](#))
(4820)



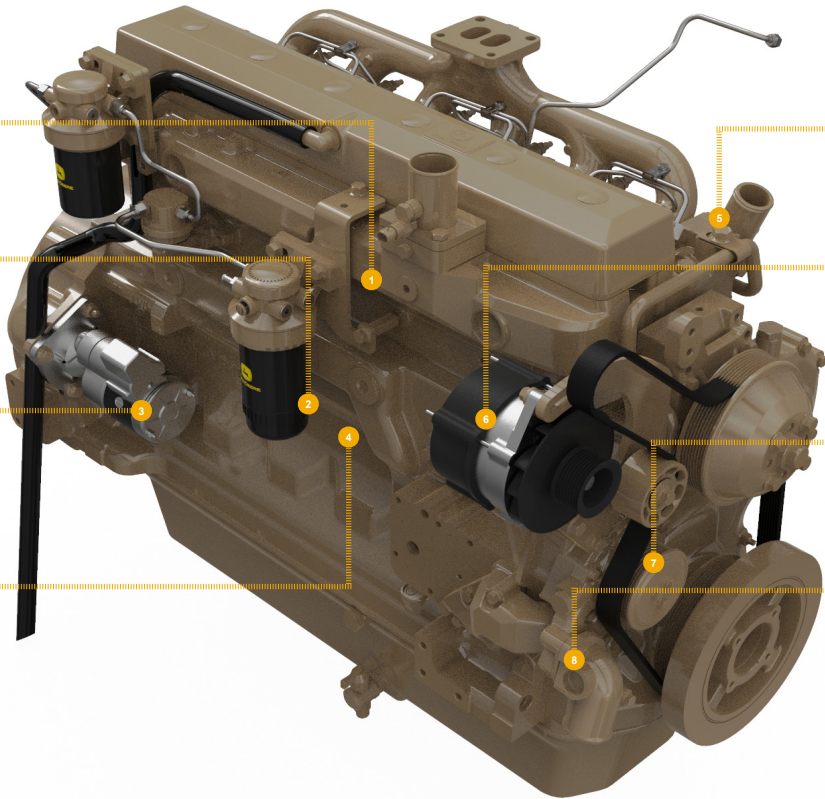
STARTER

[SE501401](#) (REMAN FOR [RE540301](#))
(12V, 2.5KW) (3005)
[SE502632](#) (REMAN FOR [RE507236](#))
(12V, 3KW) (3062)



CYLINDER HEAD

[SE501581](#) (REMAN FOR [RE57489](#)) (5107)



TURBOCHARGER

[SE502333](#) (REMAN FOR [RE509435](#))
(65EC)



ALTERNATOR

[SE501341](#) (REMAN FOR [RE537146](#))
(24V, 50A) (3104, 3114)
[RM100224](#) (REMAN FOR [RE505895](#))
(12V, 75A) (3135)



WATER PUMP

[SE501609](#) (REMAN FOR [RE505980](#)) (4426)



OIL PUMP

[SE501814](#) (REMAN FOR [RE504914](#)) (5001)